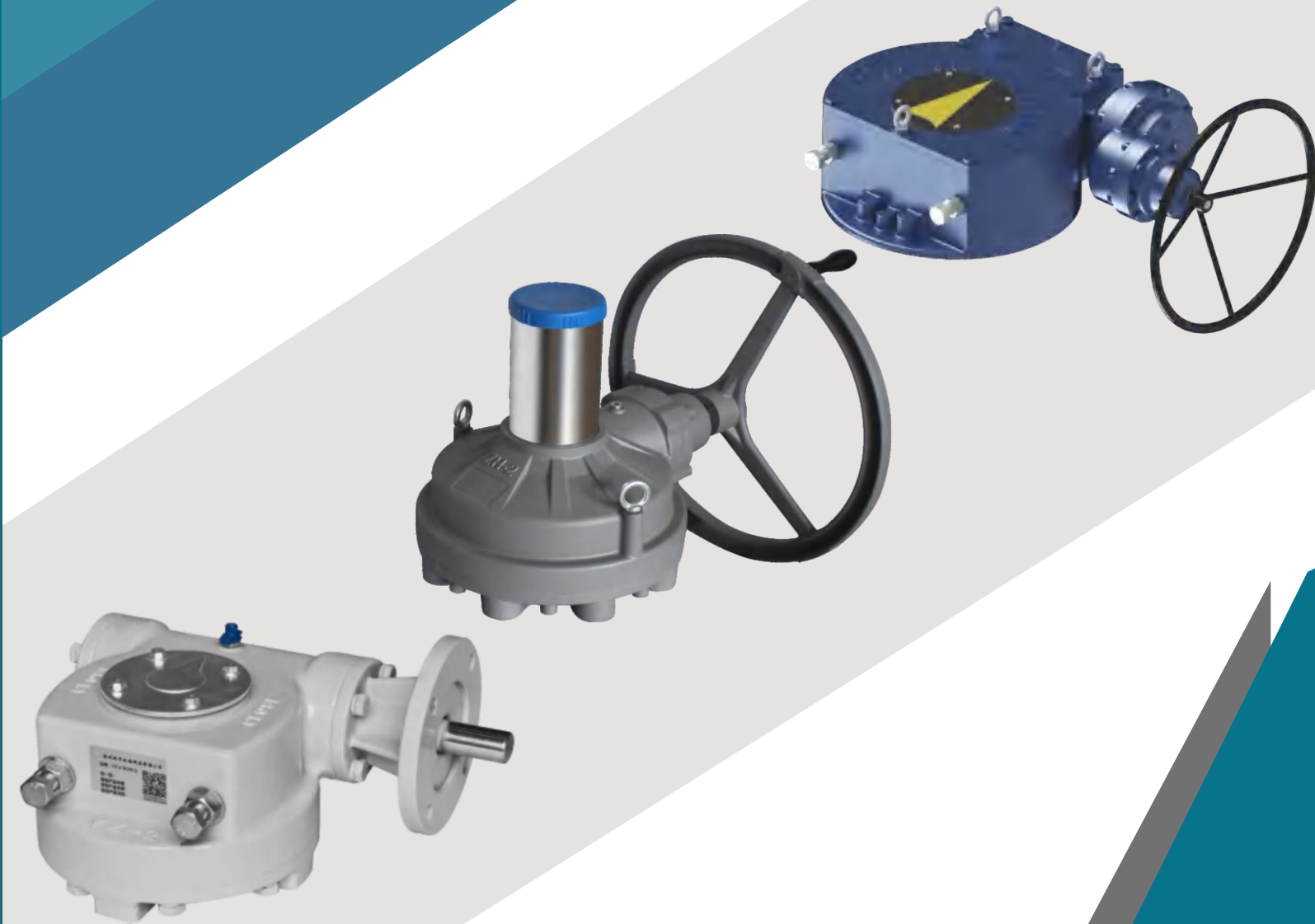


耀远®  
YOYAGE



浙江耀远机械科技有限公司  
ZHEJIANG YAORYUAN MACHINERY TECHNOLOGY CO., LTD.

地址：永嘉县瓯北街道塘头工业区健身路46号  
电话：0577-66991988 66991987  
销售热线：18058832860

齿轮箱 GEAR BOX  
销售热线：18058832860

# CONTENTS

## 目录



- 关于耀远 About YOYAGE
- 资质证书 Qualification Certificate
- 生产装备 Production Equipment
- 品质保障 Quality Assurance
- 测试报告 Testing Report
- 部分产品 Product Display
- 工程案例 Engineering Case

YZ-S	部分回转型阀门手动装置 Series Quarter turn manual gear actuator	01	CK-1S	多回转型阀门手动装置 Series Multi-turn manual gear actuator	42
YZ	部分回转型阀门手动装置 Series Quarter turn manual gear actuator	03	BA-L	多回转型阀门手动装置 Series Multi-turn manual gear actuator	43
MY	部分回转型阀门手动装置 Series Quarter turn manual gear actuator	04	BA-Z	多回转型带开度指示阀门手动装置 Series Multi-turn gear actuator with indicator	44
YZQ	部分回转型阀门手动装置 Series Quarter turn manual gear actuator	05	BA-G	多回转型阀门手动装置 Series Multi-turn manual gear actuator	45
YZ-SS	部分回转齿轮箱 Series Partial swing gearbox	15	YZ-ZC	多回转型阀门手动装置 Series Multi-turn manual gear actuator	46
MY-1S	部分回转型阀门手动装置 Series Quarter turn manual gear actuator	17	YZ-SD	部分回转型阀门电动装置 Series Quarter turn electric gear actuator	47
MY-S	部分回转型阀门手动装置 Series Quarter turn manual gear actuator	19	YZ-D	部分回转型阀门电动装置 Series Quarter turn electric gear actuator	51
YZ-G	部分回转型管阀式阀门手动装置 Series Worm+Bevel gear actuator	20	MY-D	部分回转型阀门电动装置 Series Quarter turn electric gear actuator	52
YZ-1S-L	部分回转型阀门手动装置 Series Quarter turn manual gear actuator	21	MY-1-SD	部分回转型阀门电动装置 Series Quarter turn electric gear actuator	53
SD	气动阀门手动机构 SD Series pneumatic valve manual mechanism	23	QJ	球型铰链机构 Series Spherical hinge	57
ZH-X	消防阀门信号手动装置 ZH-X Series quarter turn manual gear actuator	25	YZ-JZ	底座拐臂式齿轮箱 Series Gearbox with mounting base and lever arm	58
MY-F	部分回转型阀门手动装置 Series Quarter turn declutchable type manual gear actuator	26	RK-DZ	多回转型阀门手动装置 Series Multi-turn manual gear actuator	59
YZ-L	部分回转型阀门手动装置 Series Quarter turn manual gear actuator	27	MY-V-SD	多回转型阀门电动装置 Series Multi-turn electric gear actuator	61
BA-Q	多回转型阀门手动装置 Series Multi-turn manual gear actuator	28	MY-SD-Q	多回转型阀门电动装置 Series Multi-turn electric gear actuator	64
ZH	多回转型阀门手动装置 Series Multi-turn manual gear actuator	29	MY-V-D	多回转型阀门电动装置 Series Multi-turn electric gear actuator	68
BA	多回转型阀门手动装置 Series Multi-turn manual gear actuator	31	MY-V-D-Q	多回转型阀门电动装置 Series Multi-turn electric gear actuator	69
MY-V-Q	多回转型阀门手动装置 Series Multi-turn gear actuator	33	YZ-ZC-D	多回转型阀门电动装置 Series Multi-turn electric gear actuator	71
MY-V	多回转型阀门手动装置 Series Multi-turn manual gear actuator	35	MY-YZ	手轮尺寸 Handwheel size	72
MY-V-1S	多回转型阀门手动装置 Series Multi-turn manual gear actuator	36	YZ-XT-S	直行行程线性推力器 Series Straight stroke linear thruster	73
MY-SS	多回转型阀门手动装置 Series Multi-turn gear actuator	37	YZ-XT	直行行程线性推力器 Series Straight stroke linear thruster	74
MY-S-Q	多回转型阀门手动装置 Series Multi-turn gear actuator	39			
CK	多回转型阀门手动装置 Series Multi-turn manual gear actuator	41			



# ABOUT YOYAGE

## 关于耀远

耀远机械科技有限公司，座落于中国温州“泵阀之乡”一瓯北，是一家集研发、设计、生产、销售为一体的阀门齿轮箱企业。

公司占地面积5920平方米，建筑面积9980平方米。配备有数控机床、数控加工中心等精良设备，产品通过ISO9001质量管理体系认证和CE认证。公司多回转齿轮箱执行GB/T 12222-2005(idt ISO 5210:1991)标准，部分回转齿轮箱执行GB/T 12223-2005(idt ISO 5211:2001)标准。并获得设计和发明专利二十余项。

公司产品应用于闸阀、截止阀、蝶阀、球阀、旋塞阀、旋球阀等阀门，并结合电动执行器、气动执行器、液控执行器组合配套使用。齿轮箱主体材质有：CF8M, CF8, LCB, LC1, WCB, ASTM A536 65-45-12等材料；阀杆螺母和蜗轮蜗轮有D2, H94, H62, ASTM A536 65-45-12等。公司所有产品还可根据用户使用需求对速比、温度、防水、防腐等级进行调整定制。公司立足国内，面向国际市场，客户主要来自国内知名阀门企业、俄罗斯、巴西、美国和澳大利亚等国家。

耀远科技以“科技创新、质量为本；以诚取信、合作共赢”的企业精神。根据国内外阀门用户使用需求，研发提供更优质的产品与服务。

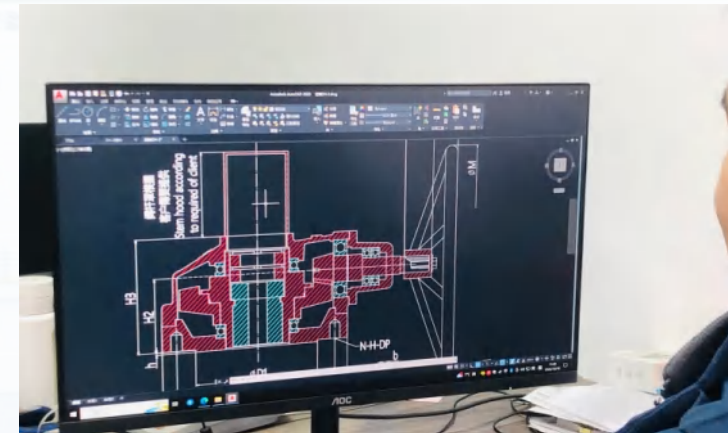
YOYAGE Tech is a professional manufacturer of gearbox for industrial valves, located in the "Valve Town" Wenzhou Oubei.

Our company occupies a space of 5920 sq. meters of land, with the

building area 9980 sq. meters. We have advanced and efficient equipments like CNC. Products had passed CE and ISO 9001 quality system certification, and we own nine design and invention patents. Producing standard for multi-turn gearbox is GB/T12222-2005(idt ISO 5210:1991)and for quarter turn gearbox is GB/ T 12223-2005(idt ISO 5211:2001).

Our gearbox can be used in gate valve, check valve, butterfly valve, ball valve and plug valve etc, also it can be worked combine with Electric actuator, Pneumatic actuator, Hydraulic actuator. Major materials for gearbox Housing are: CF8M, CF8, LCB, LC1, WCB, ASTM A536 65-45-12 ect, stem but and gear:D2, H94, H62 and ASTM A536 65-45-12,All products can be adjusted according to customer's requirements of ratio, temperature, protection grade, anti corrosion grade, Customers are from domestic famous valve factory, Russia, Brazil, America and Australia etc.

With the quality concept of "Surpass China, Gear with the international standards",we will continue our efforts to expand our product with the most innovative automation products on the market, to supply customers better products and serves.



### 价值观

激情/ 创新/ 诚信/ 共赢

### VALUES

Passion Innovation Sincerity Win-win



# PRODUCTION

生产装备

# EQUIPMENT



耀远在追求生产准确性、精化性。  
不断完善自己精益求精的生产工艺，  
包括每一个零部件，  
都严格按标准精心打造，  
确保产品的高品质。

YOYAGE In the pursuit of accuracy  
and refinement of production.  
Constantly improve their lean production,  
Including each component, Strictly  
according to the standard meticulously,  
To ensure product quality.





# TESTING REPORT

测试报告

# PRODUCT DISPLAY

部分产品

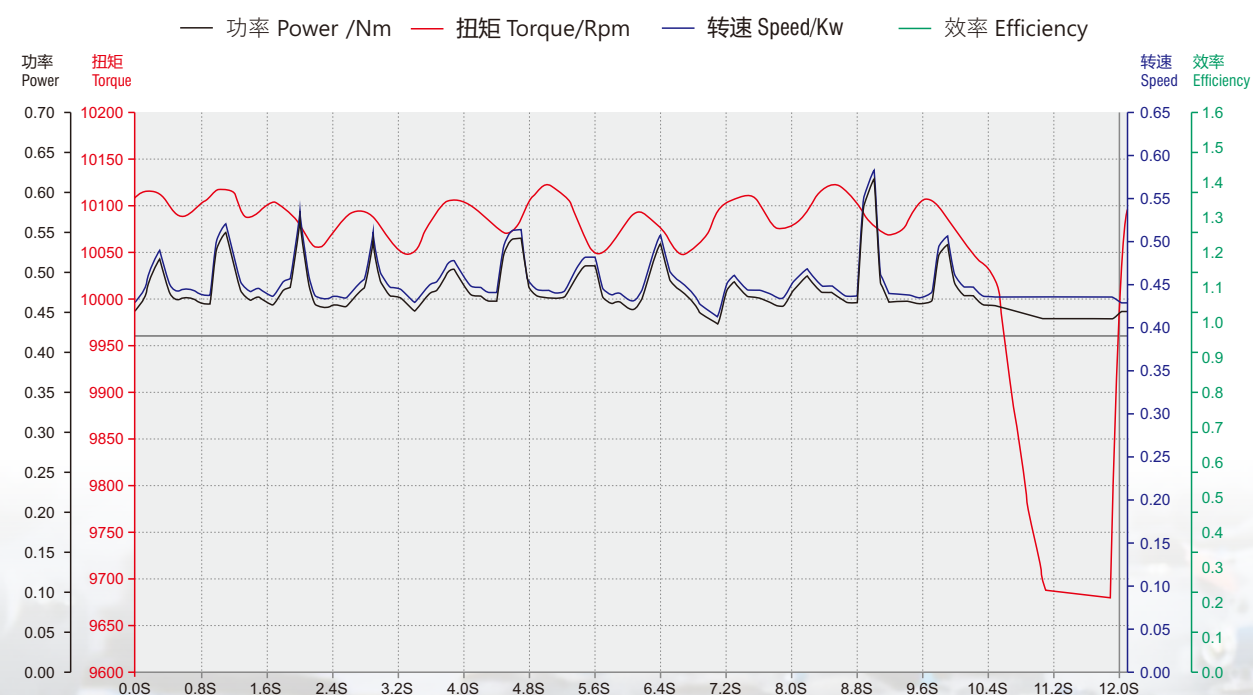
## 齿轮箱扭矩测试报告 Gearbox Torque Test Report

### ■ 峰值记录 Peak record

	扭矩/Nm Torque	转速/Rpm Speed	功率/Kw Power	效率 Efficiency
堵转点 Plugging point	10123.624	0.444	0.47	0.3
	10077.444	0.585	0.618	0.3
	10077.444	0.585	0.618	0.3
	9680.075	0.436	0.442	0.3

备注: 速比 55:1 Remarks: Ratio 55:1

### ■ 测试波形图 Test oscillogram



多轴输出全回阀门驱动装置  
Multiaxial output quarter turn electric gear actuator



带电装多回阀门驱动装置  
Multi-turn electric gear actuator



带开度指示多回阀门手动装置  
Multi-turn manual gear actuator with opening instructions



部分回阀门手动装置  
Quarter turn manual gear actuator



部分回电阀门驱动装置  
Quarter turn electric gear actuator



部分回电阀门驱动装置  
Quarter turn electric gear actuator



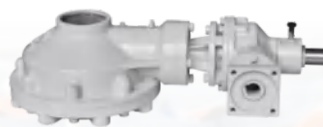
多回电阀门驱动装置  
Multi-turn electric gear actuator



多回单级阀门驱动装置  
Multi-turn single stage gear actuator



多回电阀门驱动装置  
Multi-turn electric gear actuator



多回双作用阀门驱动装置  
Manual and hydraulic double action bevel gearbox



部分回转管式阀门驱动装置  
Quarter turn vertical operation type gear actuator



部分回转链轮阀门驱动装置  
Quarter turn chain wheel operational gear actuator



# ENGINEERING

## 工程案例 CASE



聚焦大批优质客户  
重大工程不断落地生根，  
开花结果，  
我们懂阀门执行器，  
更懂得您的需求。

Focus on a large number of  
quality customers of major  
projects continue to take  
root, blossom and bear fruit,  
we understand valve  
actuators, more understand  
your needs.



# 新产品 推荐

NEW PRODUCT RECOMMENDATION

## 双速比齿轮箱

Double speed ratio gear box

1 输出扭矩大  
High output torque

2 传动效率高  
High transmission efficiency

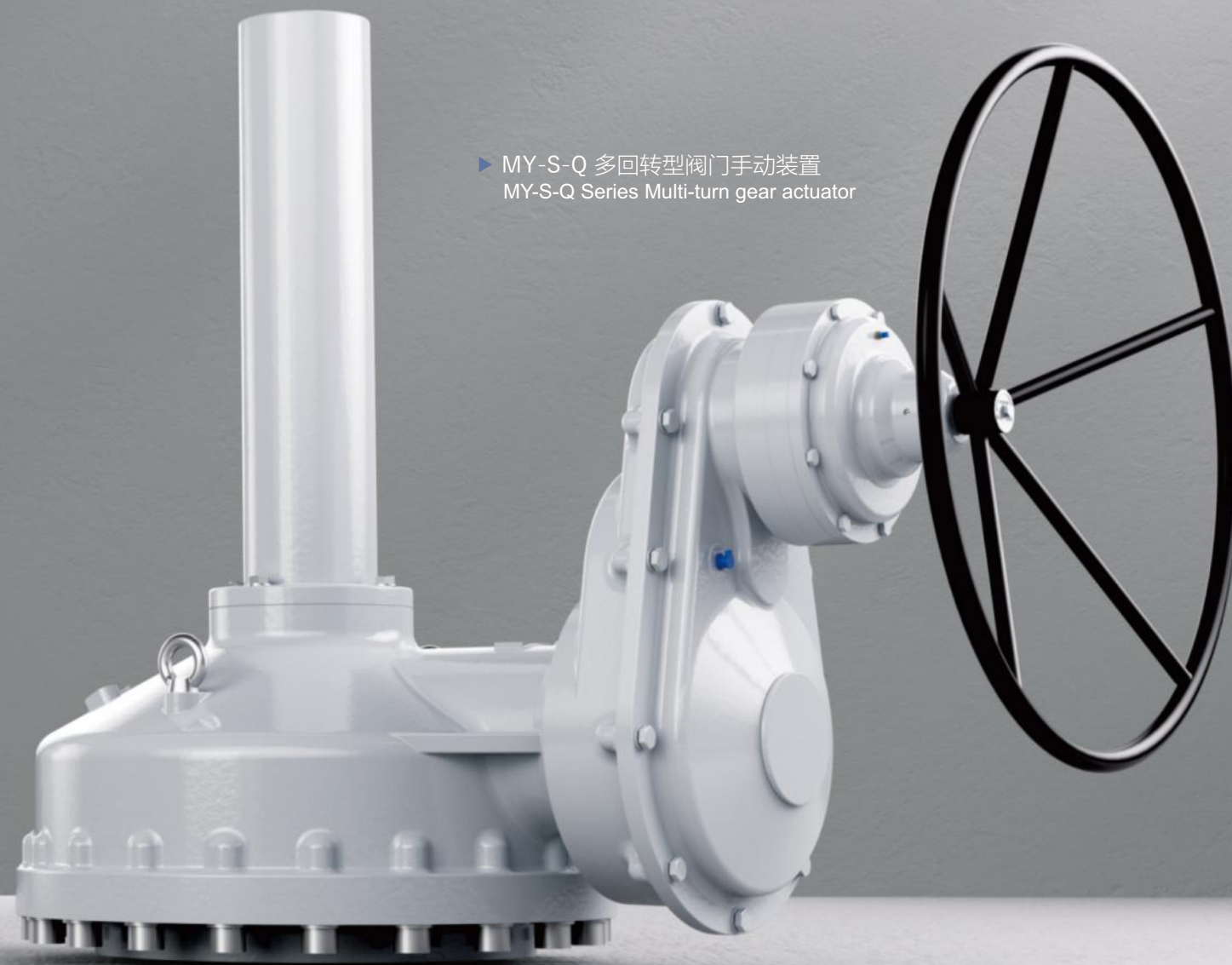
3 切换速度快4-10倍  
Switching speed is 4-10 times faster

4 切换速比操作简单  
Switching speed ratio is easy to operate

特殊情况下可做IP67、IP68或者浸没水下使用  
It can be used as IP67, IP68 or submerged underwater



▶ YZ-SS 部分回转齿轮箱  
YZ-SS Series Partial swing gearbox



▶ MY-S-Q 多回转型阀门手动装置  
MY-S-Q Series Multi-turn gear actuator



# YZ-S

## 部分回转型阀门手动装置

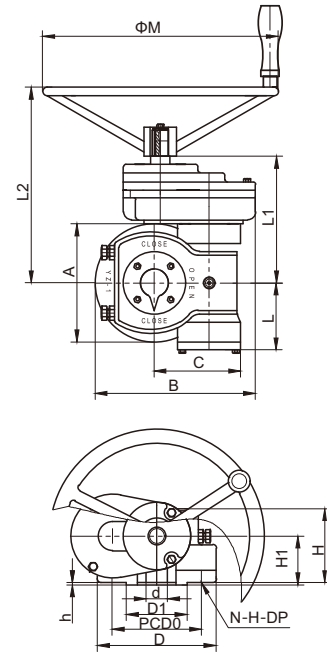
YZ-S Series Quarter turn manual gear actuator



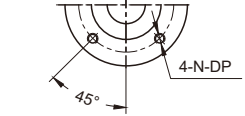
**YOYAGE**  
耀远

该系列是一款90°部分回转手动驱动装置。适用于球阀、蝶阀、旋塞阀、旋球阀等阀门。箱体采用精密铸造，样式新颖，外形美观。采用蜗轮蜗杆传动，蜗轮副自锁，使用圆锥滚子轴承，传动更加灵活，效率高。法兰全部采用ISO5211国际标准，与阀门配套更加方便。防护等级为IP65，特殊环境还可做到IP68以及浸没模式。

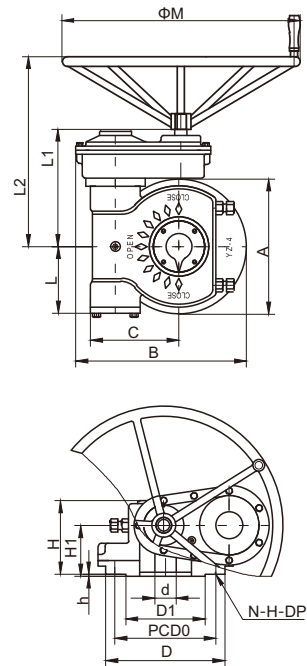
This series of products is quarter turn manual gear actuator. Suit to be used in ball valves, butterfly valves, plug valves, rotary ball valves etc. The housing made by precise casting, new design, nice appearance. It transmitted by worm gear and worm. The worm gear with self-locking. With tapered roller bearing, so the gearboxes can be operated more flexibly and have higher efficiency. The mounting flange adapts to ISO 5211. So the gearboxes installed on the valve are very convenient. General products protection grade is IP65. For special environment can be done IP68 and immersion.



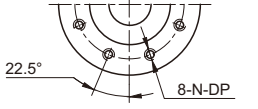
4个孔位置 Position for the 4 bolt



8个孔位置 Position for the 8 bolt



8个孔位置 Position for the 8 bolt



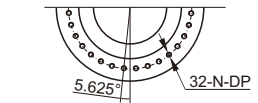
12个孔位置 Position for the 12 bolt



20个孔位置 Position for the 20 bolt



32个孔位置 Position for the 32 bolt



# YZ-S

## 部分回转型阀门手动装置

YZ-S Series Quarter turn manual gear actuator



**YOYAGE**  
耀远

型号 Model	YZ-1-S	YZ-2-S	YZ-2J-S	YZ-3-S	YZ-3J-S	YZ-4-S	YZ-4J-S	YZ-5-S	YZ-5J-S	YZ-6-S	YZ-6J-S	YZ-7-S	YZ-7J-S	YZ-8-S	YZ-8J-S	YZ-9-S	YZ-9J-S	YZ-10-S	YZ-11-S	YZ-12-S
----------	--------	--------	---------	--------	---------	--------	---------	--------	---------	--------	---------	--------	---------	--------	---------	--------	---------	---------	---------	---------

### 技术参数 TECHNICAL-PARAMETERS

速比 Ratio	78:1 78:1 127:1 200:1 375:1 495:1 798:1 868:1 938:1 1100:1 2067:1 2260:1 3030:1 3960:1 5535:1 5900:1 7760:1 8526:1 9660:1 14130:1 19320:1																					
	N-m	1300	1600	3000	4500	7500	12000	16500	23000	28000	32000	48000	63000	80000	100000	140000	190000	250000	350000	400000	650000	850000
最大转矩 Max-torque	kgf-M	132	204	306	612	765	1124	1684	2346	2857	3265	4898	6428	8163	10204	14285	19388	25510	35714	40816	66326	86734
输入扭矩 Input torque N.m	69 85 91 90 85 93 86 110 106 104 106 110 110 110 110 140 140 180 180 200 200																					

### 连接尺寸 CONNECTION-SIZE

法兰号 FLANGE	F12	F14	F16	F16	F20	F25	F30	F30	F35	F35	F40	F40	F48	F48	F48	F60	F60	F60	F80	F100	F100	
法兰外圆(D)	150	175	210	210	250	300	350	350	415	415	475	475	560	560	560	686	686	686	900	1200	1200	
连接孔中心 PCD	D0	125	140	165	165	205	254	298	298	356	356	406	406	483	483	483	603	603	603	813	1042	1042
	N-H-DP	4-M12-18	4-M16-20	4-M20-30	4-M20-30	8-M16-24	8-M16-24	8-M20-30	8-M20-30	8-M30-45	8-M30-40	8-M36-54	8-M36-54	12-M36-54	12-M36-54	12-M36-54	20-M36-54	20-M36-54	20-M36-54	20-M42-65	32-M42-65	32-M42-65
凸面Convex (D1×h)	85×3	100×4	130×5	130×5	140×5	200×5	230×5	230×5	260×5	260×5	300×8	300×8	370×8	370×8	370×8	470×8	470×8	470×8	670×10	870X10	870X10	
最大阀杆mm (Φd) Max-Stem-Diameter	42	50	60	60	75	90	110	110	120	120	145	160	170	180	200	210	220	270	300	380	420	
	12×8	14×9	18×11	18×11	22×14	25×14	28×16	28×16	32×18	32×18	40×22	40×22	45×25	45×25	50×28	50×28	50×28	63×32	70×36	80×40	90×45	

### 外形尺寸 APPEARANCE-SIZE

A	150	175	210	225	300	340	350	390	430	470	560	590	620	660	730	770	800	1030	1150	1550	1830
B	204	226	245	300	331	430	418	468	488	595	637	765	705	735	895	910	995	1290	1405	1730	2085
C	110	120	140	125	186	222	243	232	275	298	357	375	395	405	452	525	535	680	710	955	1170
L	85	95	115	122	148	167	185	187	225	232	280	295	315	340	365	395	420	530	475	770	820
L1	161	171	244	249	305	317.5	371.5	370.5	406.5	373.5	459	469	757	777.5	787.5	894	915	1016	1046	1431	1676
L2	251	261	334	339	405	417.5	471.5	470.5	506.5	573.5	659	669	957	977.5	987.5	1094	1115	1216	1246	1631	1876
H	105	114	132	154	155	185	185	190	195	200	243	244	270	292	305	380	400	428	415	555	655
H1	68	78	93	106	105	127	122	120	132	127	145	153	167	193	208	215	250	261	263	355	410
ΦM	300	350	400	400	500	500	500	600	600	650	650	700	750	750	800	800	1200	1000	1200	1200	1200



YZ

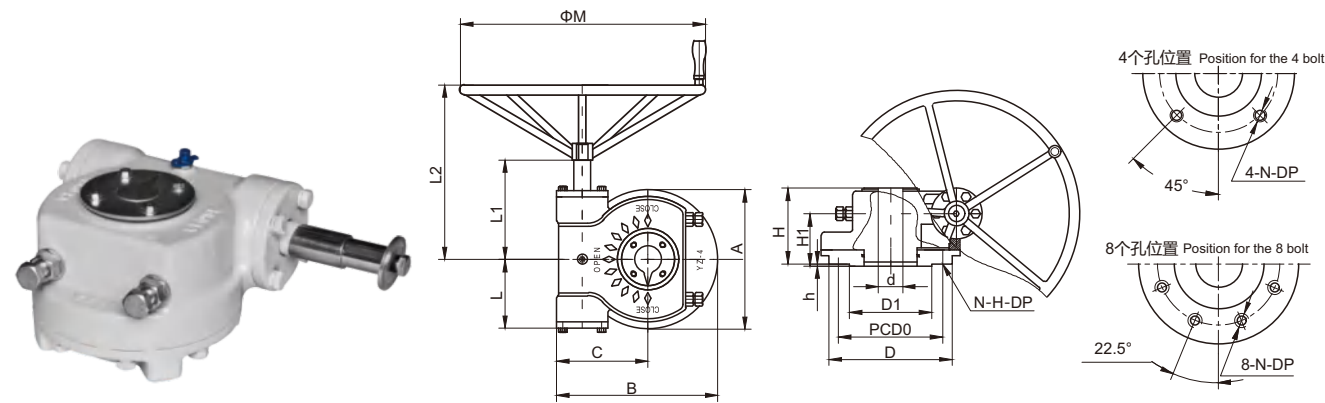
## 部分回转型阀门手动装置

YZ Series Quarter turn manual gear actuator

YOYAGE  
耀远

该系列是一款90°部分回转手动驱动装置。适用于球阀、蝶阀、旋塞阀、旋球阀等阀门。箱体采用精密铸造，样式新颖，外形美观。采用蜗轮蜗杆传动，蜗轮副自锁，使用圆锥滚子轴承，传动更加灵活，效率高。蜗轮箱输出扭矩与连接法兰标准扭矩相匹配，阀杆外径和安装高度符合国际标准。法兰全部采用ISO5211国际标准，与阀门配套更加方便。防护等级为IP65，特殊环境还可做到IP68以及浸没模式。

This series of products is quarter turn manual gear actuator. Suit to be used in ball valves, butterfly valves, plug valves, rotary ball valves etc. The housing made by precise casting, new design, nice appearance. It transmitted by worm gear and worm. The worm gear with self-locking. With tapered roller bearing, so the gearboxes can be operated more flexibly and have higher efficiency. The gearboxes output torque according to mounting flange allowed torque. Stem diameter and height adapt international standard. The mounting flange adapts to ISO 5211. So the gearboxes installed on the valve are very convenient. General products protection grade is IP65. For special environment can be done IP68 and immersion.



型号 Model	YZ-0	YZ-1	YZ-2	YZ-2J	YZ-3	YZ-3J	YZ-4	YZ-4J	YZ-5	YZ-5J	YZ-6
技术参数 TECHNICAL-PARAMETERS											
速比 Ratio	34:1	44:1	44:1	50:1	50:1	53:1	55:1	67:1	62:1	67:1	65:1
最大转矩 Max-torque	N-m	500	1000	1500	2500	3200	4500	4950	5200	5580	6825
	kgf-M	51	102	153	255	327	459	505	530	569	696
输入扭矩 Input torque N.m	50	90	115	166	215	300	300	258	300	300	350
连接尺寸 CONNECTION-SIZE											
法兰号 Flange	F10	F12	F14	F16	F16	F16/F20	F25	F30	F30	F35	F35
法兰外圆(D)	125	150	175	210	210	250	300	350	350	415	415
连接孔中心 PCD	D0	102	125	140	165	165	205	254	298	298	356
	N-H-DP	4-M10-15	4-M12-18	4-M16-20	4-M20-30	4-M20-30	8-M16-24	8-M16-24	8-M20-30	8-M20-30	8-M30-45
凸面Convex (D1×h)	70×3	85×3	100×4	130×5	130×5	140×5	200×5	230×5	230×5	260×5	260×5
最大阀杆mm (Φd) Max-Stem-Diameter	30 8×7	42 12×8	50 14×9	60 18×11	60 18×11	75 25×14	90 22×14	110 28×16	110 28×16	120 32×18	120 32×18
外形尺寸 APPEARANCE-SIZE											
A	125	150	175	210	225	300	340	350	390	430	470
B	156	185	207	245	265	331	393	418	427	488	532
C	90	110	120	140	125	186	222	243	232	275	298
L	80	85	95	115	122	147	167	185	187	225	232
L1	120	133	155	189	205	240	242.5	270	287	325	332
L2	210	223	245	279	305	340	342.5	470	487	525	532
H	100	105	114	132	154	155	185	185	190	195	200
H1	70	68	78	93	106	105	127	122	120	132	127
ΦM	250	350	400	450	500	600	600	650	750	800	900

MY

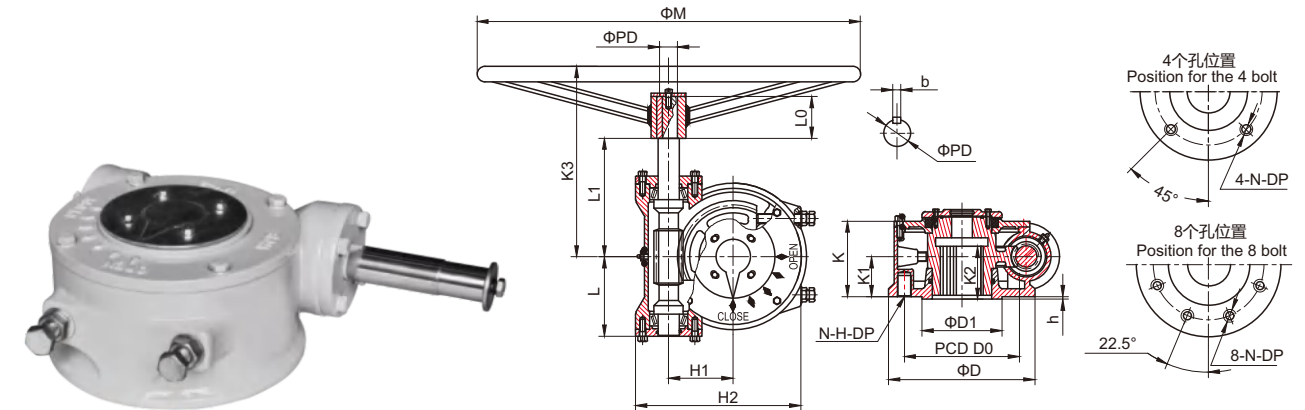
## 部分回转型阀门手动装置

MY Series Quarter turn manual gear actuator

YOYAGE  
耀远

该系列是一款90°部分回转手动驱动装置。适用于球阀、蝶阀、旋塞阀、旋球阀等阀门。箱体采用精密铸造，样式新颖，外形美观。采用蜗轮蜗杆传动，蜗轮副自锁，使用圆锥滚子轴承，传动更加灵活，效率高。法兰全部采用ISO5211国际标准，与阀门配套更加方便。防护等级为IP65，特殊环境还可做到IP68以及浸没模式。

This series of products is quarter turn manual gear actuator. Suit to be used in ball valves, butterfly valves, plug valves, rotary ball valves etc. The housing made by precise casting, new design, nice appearance. It transmitted by worm gear and worm. The worm gear with self-locking. With tapered roller bearing, so the gearboxes can be operated more flexibly and have higher efficiency. The mounting flange adapts to ISO 5211. So the gearboxes installed on the valve are very convenient. General products protection grade is IP65. For special environment can be done IP68 and immersion.



型号 Model	MY-000	MY-00	MY-0	MY-1	MY-2	MY-3	MY-4	MY-5	MY-6
技术参数 TECHNICAL-PARAMETERS									
速比 Ratio	24:1	33:1	39:1	46:1	49:1	53:1	60:1	62:1	68:1
最大转矩 Max-torque	N-m	300	500	980	1600	2700	4200	5600	8500
	kgf-M	31	51	100	143	255	478	617	867
输入扭矩 Input torque N.m	41	50	85	115	185	255	315	380	425
连接尺寸 CONNECTION-SIZE									
法兰号 FLANGE	F07	F10	F12	F14	F16	(F20)	F25	F30	F35
法兰外圆(D)	90	125	150	175	210	250	300	350	415
连接孔中心 PCD	D0	70	102	125	140	165	205	254	298
	N-H-DP	4-M8-15	4-M10-15	4-M12-18	4-M16-24	4-M20-30	8-M16-24	8-M16-24	8-M20-27
凸面Convex (D1×h)	55×3	70×3	85×3	100×4	130×5	140×5	200×5	230×5	260×5
最大阀杆mm (Φd) Max-Stem-Diameter	20 6×6	30 8×7	38 10×8	45 14×9	55 16×10	65 20×12	80 22×14	105 28×16	115 32×18
外形尺寸 APPEARANCE-SIZE									
H1	41	55	66	75	92	111	145	160	200
H2	124	151	208	230	270	303	373	420	495
K	75	70	89	89	108	110	140	140	179
K1	40	43	51	52	63	61	85	87	110
K2		42	47	58	62	60	100	102	112
K3	195	200	224.5	237.5	279	307	337	498	532
L	65	70	83	92	113	125	160	197	230
L1	105	110	134.5	147.5	189	207	237	298	332
手轮 handwheel	PD	15	15	21	21	28	28	28	45
	(b)key	5	5	6	6	8	8	8	12
	L0	32	32	36	36	46	46	46	61
	M	250	250	300	350	450	500	600	650



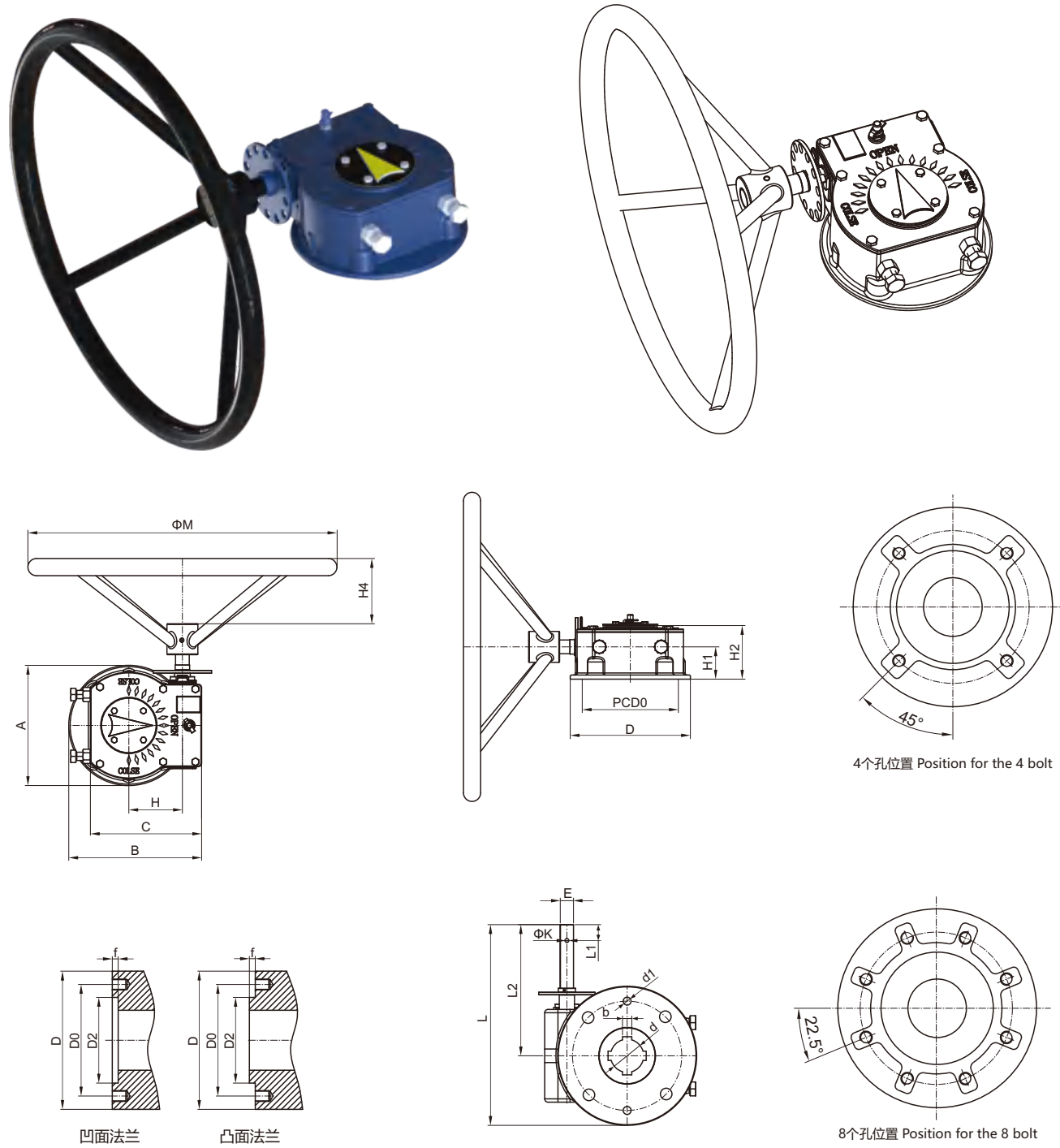
# YZQ

部分回转型阀门手动装置  
YZQ Series Quarter turn manual gear actuator



该系列是一款90°(±5°)可调部分回转手动驱动装置。适用于球阀、蝶阀、旋塞阀等类型阀门。箱体采用球墨铸铁，样式新颖、外型美观。法兰全部采用ISO 5211国际标准，与阀门配套更加方便。环境温度：-20°C到+120°C(-4°F到+248°F)。

This series of products is 90°(±5°adjusted) quarter turn manual gear actuator. Suit to be used in ball valves, butterfly valves, plug valves etc. Housing material is ductile iron (ASTM A536 65-45-12). New design, nice appearance. The output mounting flange adapts to ISO 5211. So the gearboxes installed on the valve are very convenient. Environment temperature:-20°C to +120 °C(-4°F to +248°F)



YZQ-3-YZQ-40

# YZQ

部分回转型阀门手动装置  
YZQ Series Quarter turn manual gear actuator



型号 Model	YZQ-3	YZQ-5	YZQ-8	YZQ-12	YZQ-16	YZQ-20	YZQ-26	YZQ-30	YZQ-40
----------	-------	-------	-------	--------	--------	--------	--------	--------	--------

技术参数 TECHNICAL-PARAMETERS

速比 Ratio	36:1	42:1	48:1	48:1	54:1	46:1	56:1	53:1	55:1
输入力矩 Input torque N.m	26	38	52	79	92.6	135.8	145	177	227
输出力矩 Output-torque Nm	300	500	800	1200	1600	2000	2600	3000	4000
机械效率 MA±10%	11.52	13.4	15.36	14.9	17.28	14.72	17.92	16.96	17.6

连接尺寸 CONNECTION-SIZE

法兰号 Flange	F07	F10	F07	F10	F10	F12	F12	F14	F16	F14	F16	F14	F16	F14	F16	F25	F16	F20	F25	F16	F20	F25	
法兰外圆(D)	90	125	90	125	125	150	150	175	210	175	210	175	210	175	210	300	210	255	300	210	255	300	
连接孔中心 PCD	D0	70	102	70	102	102	125	125	140	165	140	165	140	165	140	165	245	165	205	254	165	205	254
	N-M-DP(深)	4×M8 -12	4×M10 -15	4×M8 -12	4×M10 -15	4×M10 -18	4×M12 -18	4×M12 -18	4×M14 -24	4×M16 -30	4×M14 -24	4×M16 -30	4×M14 -24	4×M16 -30	4×M14 -24	4×M16 -30	4×M20 16-24	4×M20 20-30	4×M16 16-24	4×M20 20-30	4×M16 16-24	4×M20 20-30	4×M20 16-24
凹凸可选 (D2)	55	70	55	70	70	85	85	100	130	100	130	100	130	100	130	200	130	140	200	130	140	200	
常规产品无 凹凸台阶	定位销 /数量	2-Φ8	2-Φ10	2-Φ8	2-Φ10	2-Φ10	2-Φ10	2-Φ12	2-Φ16	2-Φ12	2-Φ16	2-Φ12	2-Φ16	2-Φ12	2-Φ16	2-Φ16	4-Φ16	4-Φ16	4-Φ16	2-Φ16	4-Φ16	4-Φ16	4-Φ16
凹凸高度 Convex height f	f	3			3			4	5	4	5	4	5	4(3)	5	5			5				
最大轴孔 Max stem Dia Φ(d)	30	35	40	45	50	55	65	70	80														
安装高度 Install-height(H2)	58	61	69	78	83	86	91	104	110														
手轮 Handwheel(M)	200	200	300	450	500	500	600	600	600														

外形尺寸 APPEARANCE-SIZE

A	125	125	150	175	210	210	210	210	210	300	220	255	300	210	300	300
B	137.5	143.5	168	193.5	211	218.5	229.5	229.5	246	291	273	290.5	313	292	337	337
C	113	122	138	162	162	178.5	193.5	193.5	215	215	238	238	238	277	277	277
L	170.5	178.5	231	235.5	253	295	303	303	302.5	347.5	310	327.5	350	325	370	370
L1	14	14	14	24	24	24	24	24	24	24	24	24	24	24	24	24
L2	108	116	156	148	148	190	198	198	197.5	197.5	200	200	200	220	220	220
H	52	58	64	78	78	85.5	91	91	106	106	121	121	121	140	140	140
H1	32	36	42.5	47	47	51	58	58	55	55	63	63	63	63	63	63
H3	89	89	90	90	90	100	100	100	100	100	100	100	100	100	100	100
E	12	12	15	20	20	20	20	20	20	20	20	20	20	20	20	20
K	4	4	5	6	6	6	6	6	6	6	6	6	6	6	6	6



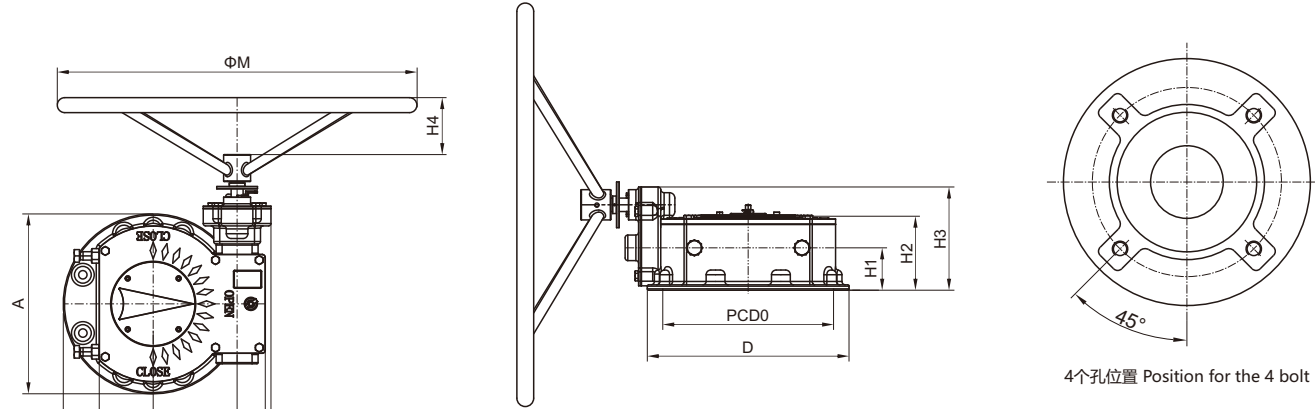
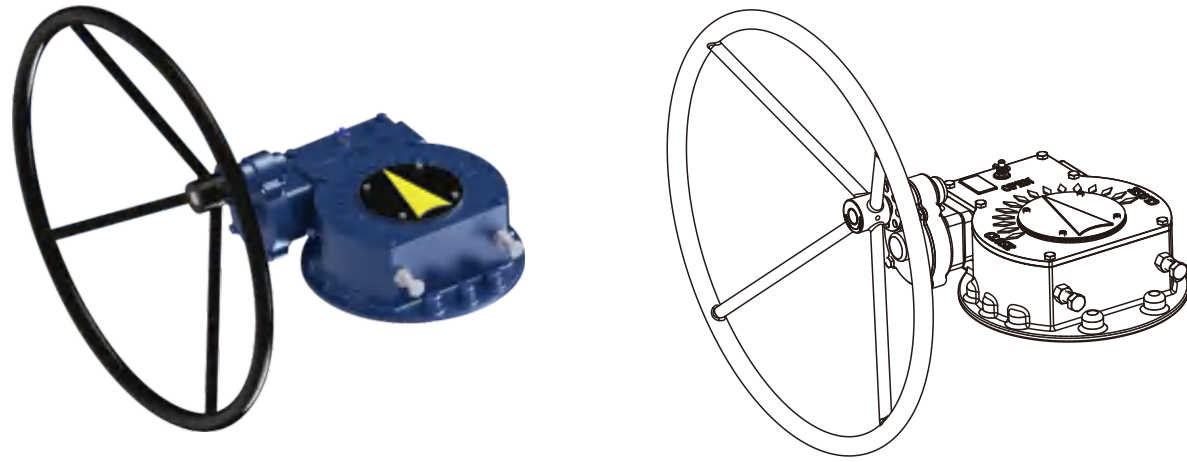
# YZQ

部分回转型阀门手动装置  
YZQ Series Quarter turn manual gear actuator

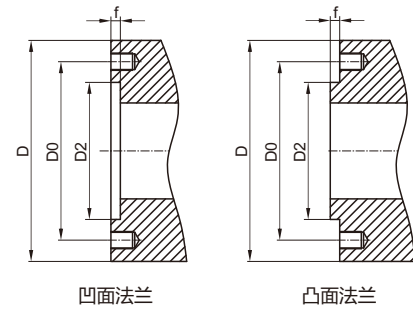


该系列是一款90°(±5°)可调部分回转手动驱动装置。适用于球阀、蝶阀、旋塞阀等类型阀门。箱体采用球墨铸铁，样式新颖、外型美观。法兰全部采用ISO 5211国际标准，与阀门配套更加方便。环境温度：-20°C到+120°C(-4°F到+248°F)。

This series of products is 90°(±5°adjusted) quarter turn manual gear actuator. Suit to be used in ball valves, butterfly valves, plug valves etc. Housing material is ductile iron (ASTM A536 65-45-12). New design, nice appearance. The output mounting flange adapts to ISO 5211. So the gearboxes installed on the valve are very convenient. Environment temperature:-20°C to +120 °C(-4°F to +248°F)

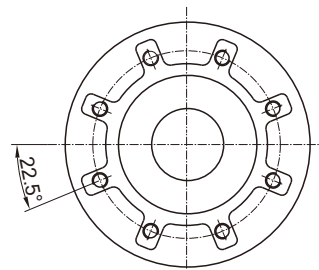
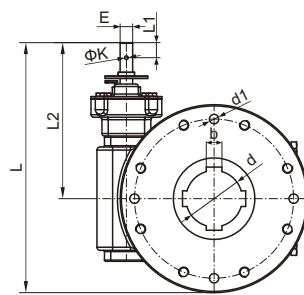


4个孔位置 Position for the 4 bolt



凹面法兰

凸面法兰



8个孔位置 Position for the 8 bolt

YZQ-45-YZQ-55

# YZQ

部分回转型阀门手动装置  
YZQ Series Quarter turn manual gear actuator



型号 Model	YZQ-45	YZQ-55
----------	--------	--------

技术参数 TECHNICAL-PARAMETERS

速比 Ratio	159:1	165:1
输入力矩 Input torque Nm	110	128
输出力矩 Output-torque Nm	4500	5500
机械效率 M.A.±10%	41.3	42.9

连接尺寸 CONNECTION-SIZE

法兰号 Flange	F16	F20	F25	F16	F20	F25	
法兰外圆(D)	210	250	300	210	250	300	
连接孔中心 PCD	D0	130	200	254	130	200	254
	N-M-DP(深)	4×M20 -30	8×M16 -24	8×M16 -24	4×M20 -30	8×M16 -24	8×M16 -24
凹凸可选 (D2)	130	140	200	130	140	200	
常规产品无凹凸台阶	定位销/数量	2-Φ16	4-Φ16	4-Φ16	2-Φ16	4-Φ16	
凹凸高度 Convex height f	f	5	5	5	5	5	
最大轴孔 Max stem Dia Φ(d)		70			80		
安装高度 Install-height(H2)		100			110		
手轮 Handwheel(M)		600			600		

外形尺寸 APPEARANCE-SIZE

A	220	300	300	260	300	300
B	247	287	287	326.5	346.5	346.5
C	234	234	234	277	277	277
L	339	379	379	380	400	400
L1	24	24	24	24	24	24
L2	229	229	229	249	249	249
H	120	120	120	140	140	140
H1	63	63	63	63	63	63
H3	148.5	148.5	148.5	3.5.153	153.5	153.5
H4	55	55	55	55	55	55
E	20	20	20	20	20	20
K	6	6	6	6	6	6
G	/	/	/	/	/	/



# YZQ

部分回转型阀门手动装置  
YZQ Series Quarter turn manual gear actuator



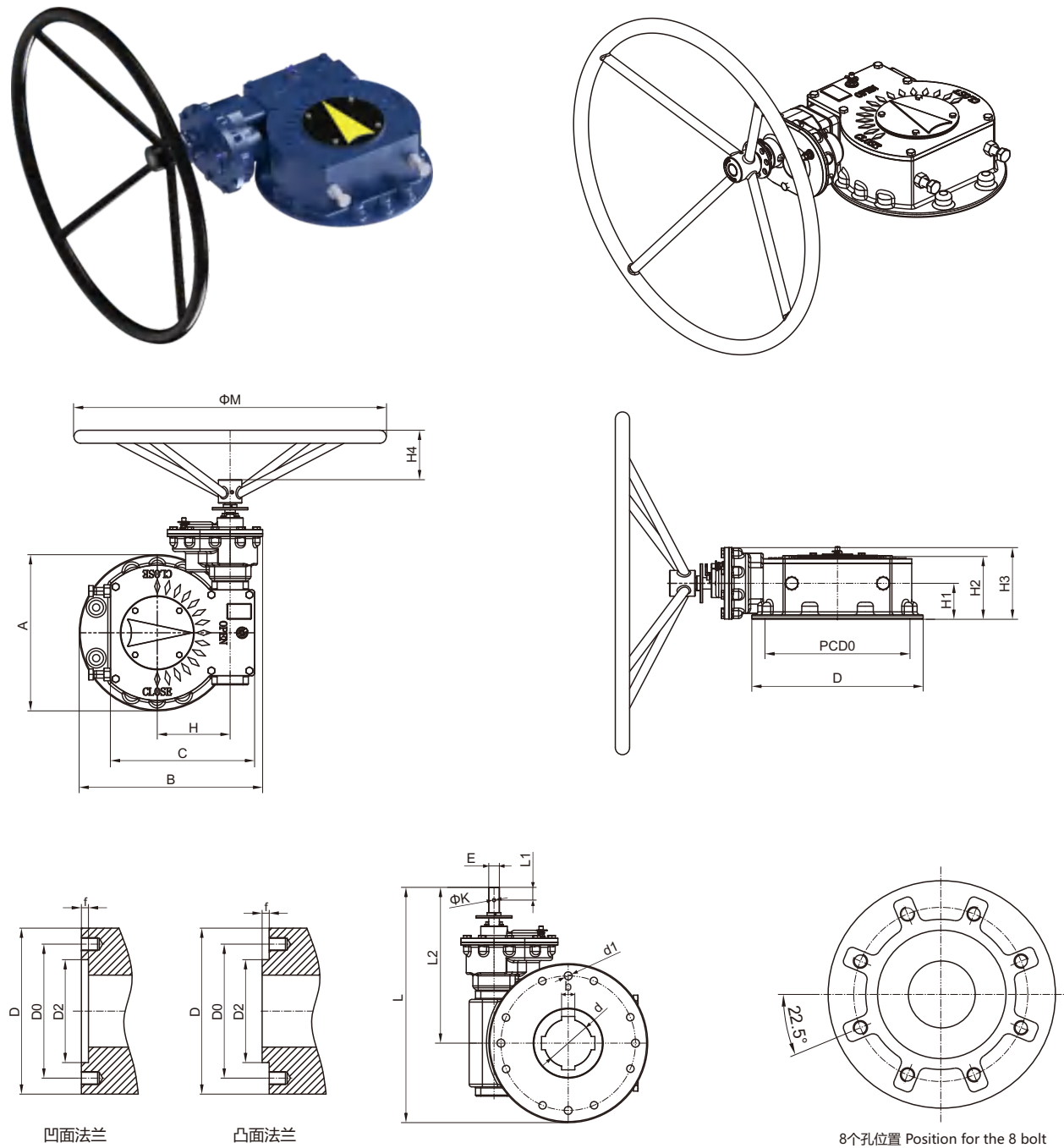
# YZQ

部分回转型阀门手动装置  
YZQ Series Quarter turn manual gear actuator



该系列是一款90°(±5°)可调部分回转手动驱动装置。适用于球阀、蝶阀、旋塞阀等类型阀门。箱体采用球墨铸铁，样式新颖、外型美观。法兰全部采用ISO 5211国际标准，与阀门配套更加方便。环境温度：-20°C到+120°C(-4°F到+248°F)。

This series of products is 90°(±5°adjusted) quarter turn manual gear actuator. Suit to be used in ball valves, butterfly valves, plug valves etc. Housing material is ductile iron (ASTM A536 65-45-12). New design, nice appearance. The output mounting flange adapts to ISO 5211. So the gearboxes installed on the valve are very convenient. Environment temperature:-20°C to +120 °C(-4°F to +248°F)



凹面法兰

凸面法兰

8个孔位置 Position for the 8 bolt

YZQ-75-YZQ-175

### 技术参数 TECHNICAL-PARAMETERS

型号 Model	YZQ-75	YZQ-100	YZQ-135	YZQ-175
速比 Ratio	379:1	413:1	577:1	735:1
输入力矩 Input torque Nm	80	97	98	100
输出力矩 Output-torque Nm	7500	10000	13500	17500
机械效率 M.A.±10%	94.75	103.3	138.5	176.4

### 连接尺寸 CONNECTION-SIZE

法兰号 Flange	F25	F30	F25	F30	F25	F30	F25	F30	
法兰外圆(D)	300	350	300	350	300	350	300	350	
连接孔中心 PCD	D0	254	298	254	298	254	298	254	298
	N-M-DP(深)	8×M16 -45	8×M20 -30	8-M16 -24	8×M20 -30	8×M16 -24	8-M20 -30	8-M16 -24	8×M20 -30
凹凸可选 (D2)	200	230	200	230	200	230	200	230	
常规产品 无凹凸台阶	定位销 /数量	4-φ16	4-φ20	4-φ16	4-φ20	4-φ40	4-φ40	4-φ40	4-φ40
凹凸高度 Convex height f	f	5	5	5	5	5	5	5	5
最大轴孔 Max stem Dia $\Phi(d)$	90	100	100	110	105	110	110	110	
安装高度 Install-height(H2)	110	134	115	157	115	157	115	157	
手轮 Handwheel(M)	600	600	600	600	600	600	600	600	

### 外形尺寸 APPEARANCE-SIZE

A	300	350	300	350	300	350	300	350
B	352.5	377.5	362.5	387.5	392.5	417.5	406	431
C	277	277	298	317	317	317	350.5	350.5
L	445	470	464	489	481	506	494	519
L1	24	24	24	24	24	24	24	24
L2	295	295	314	331	331	331	344	344
H	140	140	150	160	160	160	173.5	173.5
H1	63	63	80	85	85	85	85	85
H3	125.5	125.5	142.5	167.5	167.5	167.5	167.5	167.5
H4	55	55	55	55	55	55	55	55
E	20	20	20	20	20	20	20	20
K	6	6	6	6	6	6	6	6
G	/	/	/	/	/	/	/	/



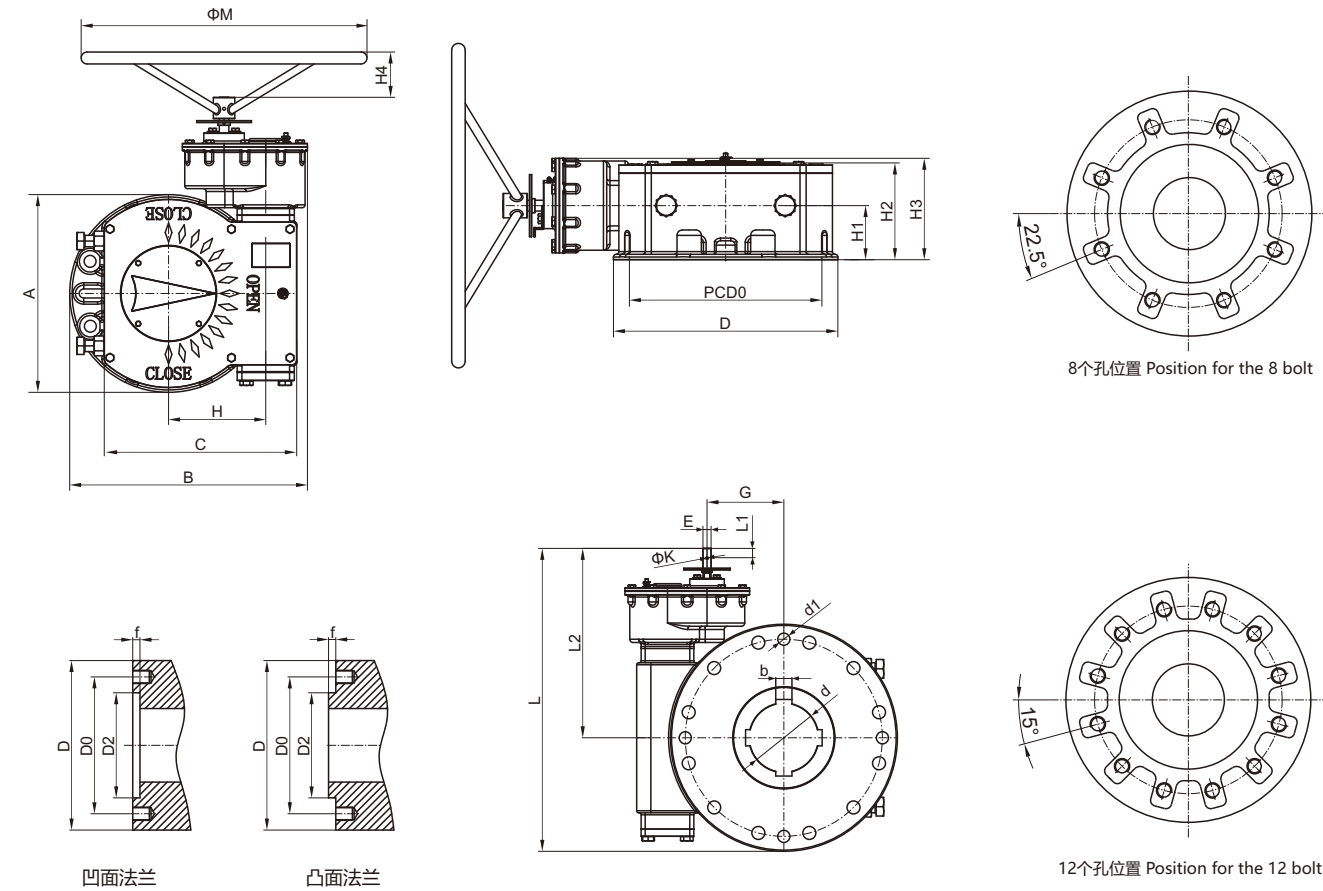
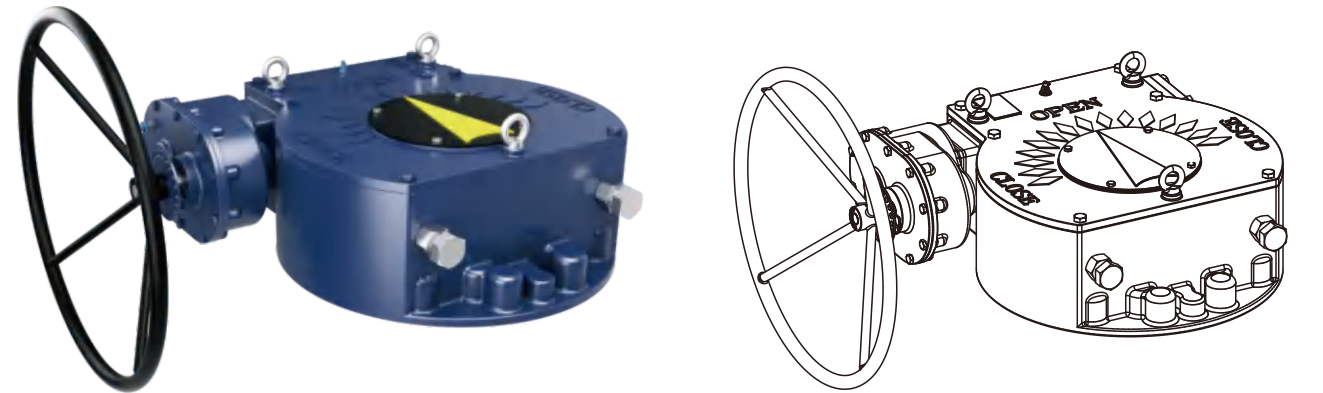
# YZQ

部分回转型阀门手动装置  
YZQ Series Quarter turn manual gear actuator



该系列是一款90°(±5°)可调部分回转手动驱动装置。适用于球阀、蝶阀、旋塞阀等类型阀门。箱体采用球墨铸铁，样式新颖、外型美观。法兰全部采用ISO 5211国际标准，与阀门配套更加方便。环境温度：-20°C到+120°C(-4°F到+248°F)。

This series of products is 90°(±5°adjusted) quarter turn manual gear actuator. Suit to be used in ball valves, butterfly valves, plug valves etc. Housing material is ductile iron (ASTM A536 65-45-12). New design, nice appearance. The output mounting flange adapts to ISO 5211. So the gearboxes installed on the valve are very convenient. Environment temperature:-20°C to +120 °C(-4°F to +248°F)



YZQ-240-YZQ-650

# YZQ

部分回转型阀门手动装置  
YZQ Series Quarter turn manual gear actuator



型号 Model	YZQ-240	YZQ-290	YZQ-360	YZQ-420	YZQ-530	YZQ-650
----------	---------	---------	---------	---------	---------	---------

技术参数 TECHNICAL-PARAMETERS

速比 Ratio	1156:1	1276:1	1926:1	2251:1	2446:1	2957:1
输入力矩 Input torque Nm	90	100	81	81	95	96
输出力矩 Output-torque Nm	24000	29000	36000	42000	53000	65000
机械效率 M.A.±10%	265.9	293.5	443	517.7	562.6	680.1

连接尺寸 CONNECTION-SIZE

法兰号 Flange	F30	F35	F30	F35	F35	F40	F35	F40	F48	F35	F40	F48	F35	F40	F48
法兰外圆(D)	350	415	350	415	415	475	415	475	560	415	475	560	415	475	560
连接孔中心 PCD	D0	298	356	298	356	356	406	356	406	483	356	406	483	356	406
	N-M-DP (深)	8×M20-30	8×M30-45	8×M20-30	8×M30-45	8×M30-45	8×M36-54	8×M30-45	8×M36-54	12-M36-54	8×M30-45	8×M36-54	12-M36-54	8×M30-45	8×M36-54
凹凸可选 (D2)	230	260	230	260	260	300	260	300	370	260	300	370	260	300	370
常规产品无凹凸台阶	定位销/数量	4-φ20	4-φ30	4-φ20	4-φ30	4-φ30	4-φ40	4-φ30	4-φ40	4-φ40	4-φ30	4-φ40	4-φ40	4-φ30	4-φ40
凹凸高度 Convex height f	f	5	5	5	5	5	8	5	8	8	5	8	8	5	8
最大轴孔 Max stem Dia φ(d)	120		130		150		170		180		180				
安装高度 Install-height(H2)	179		179		195		205		225		235				
手轮 Handwheel(M)	600		600		600		600		600		600				

外形尺寸 APPEARANCE-SIZE

A	350	415	350	415	415	475	415	475	560	415	475	560	415	475	560
B	449.5	482	466.5	499	551.5	581.5	569.5	599.5	642	587.5	617.5	660	599.5	629.5	672
C	382	382	404	404	465	465	503	503	503	541	541	541	553	553	553
L	586.5	619	586.5	619	644.5	674.5	679.5	709.5	752	684.5	714.5	757	734.5	764.5	807
L1	24	24	24	24	24	24	24	24	24	24	24	24	24	24	24
L2	412	412	412	412	437	437	472	472	472	477	477	477	477	477	477
H	187	187	204	204	239	239	257	257	257	275	275	275	275	275	275
H1	100	100	100	100	110	110	130	130	130	130	130	130	130	130	130
H3	187.5	187.5	187.5	187.5	215	215	235	235	235	235	235	235	235	235	235
H4	55	55	55	55	55	55	140	140	140	140	140	140	140	140	140
E	20	20	20	20	20	20	20	20	20	20	20	20	20	20	20
K	6	6	6	6	6	6	6	6	6	6	6	6	6	6	6
G	87.5		87.5		97.5		97.5		97.5		97.5		97.5		97.5



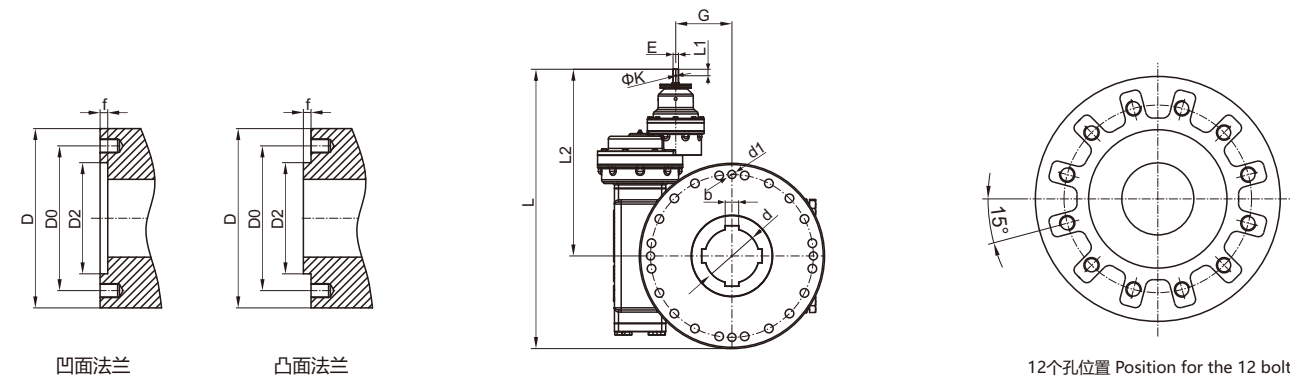
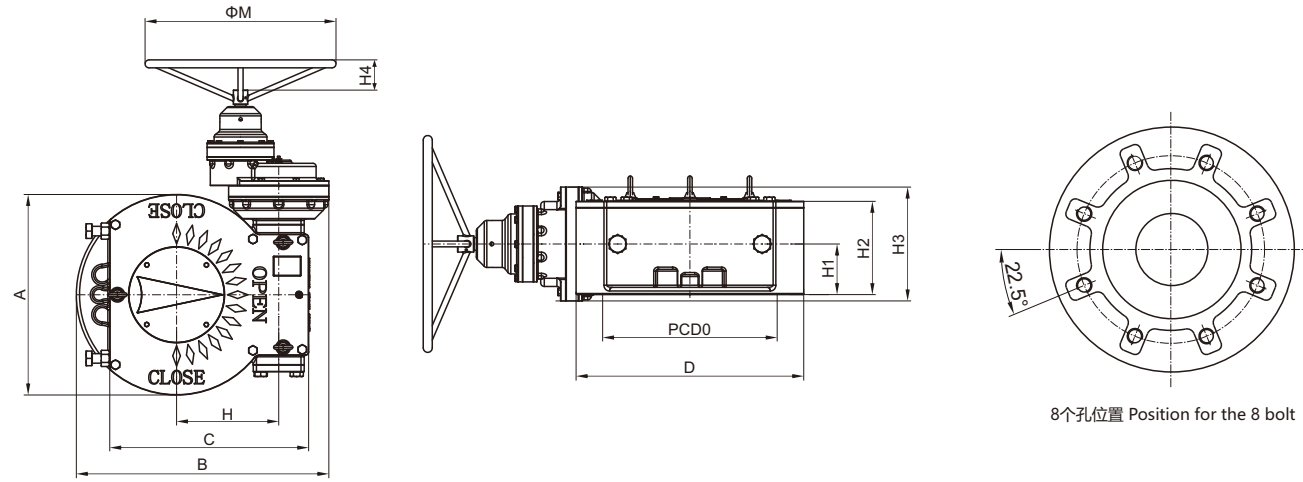
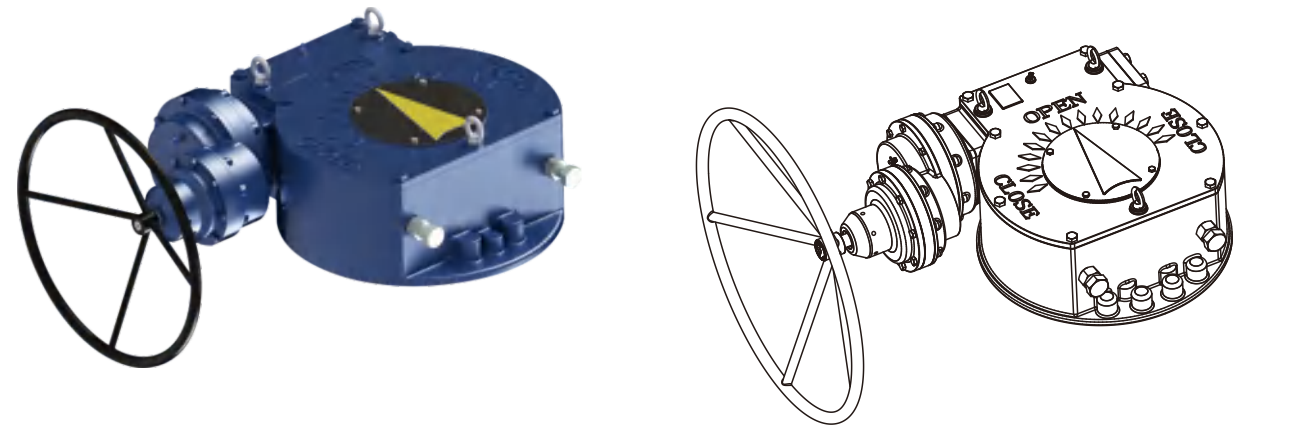
# YZQ

## 部分回转型阀门手动装置 YZQ Series Quarter turn manual gear actuator



该系列是一款90°(±5°)可调部分回转手动驱动装置。适用于球阀、蝶阀、旋塞阀等类型阀门。箱体采用球墨铸铁，样式新颖、外型美观。法兰全部采用ISO 5211国际标准，与阀门配套更加方便。环境温度：-20°C到+120°C(-4°F到+248°F)。

This series of products is 90°(±5°adjusted) quarter turn manual gear actuator. Suit to be used in ball valves, butterfly valves, plug valves etc. Housing material is ductile iron (ASTM A536 65-45-12). New design, nice appearance. The output mounting flange adapts to ISO 5211. So the gearboxes installed on the valve are very convenient. Environment temperature:-20°C to +120 °C(-4°F to +248°F)



凹面法兰

凸面法兰

YZQ-750-YZQ-1500

# YZQ

## 部分回转型阀门手动装置 YZQ Series Quarter turn manual gear actuator



型号 Model	YZQ-750	YZQ-900	YZQ-1200	YZQ-1500
----------	---------	---------	----------	----------

### 技术参数 TECHNICAL-PARAMETERS

速比 Ratio	3326:1	3750:1	4900:1	5950:1
输入力矩 Input torque Nm	98	110	112	115
输出力矩 Output-torque Nm	75000	90000	120000	150000
机械效率 M.A.±10%	765	825	1078	1309

### 连接尺寸 CONNECTION-SIZE

法兰号 Flange	F35	F40	F48	F35	F40	F48	F40	F48	F60	F40	F48	F60	
法兰外圆(D)	415	475	560	415	475	560	475	560	686	475	560	686	
连接孔中心 PCD	D0	356	406	483	356	406	483	406	483	603	406	483	603
	N-M-DP(深)	8×M30-45	8×M36-54	12-M36-54	8×M30-45	8×M36-54	12-M36-54	8×M36-54	12-M36-54	12-M36-54	8×M36-54	12-M36-54	12-M36-54
凹凸可选 (D2)	260	300	370	260	300	370	300	370	480	300	370	480	
常规产品无凹凸台阶	定位销/数量	4-φ30	4-φ40	4-φ40	4-φ30	4-φ40	4-φ40	4-φ40	4-φ40	4-φ40	4-φ40	4-φ40	
凹凸高度 Convex height f	f	5	8	8	8	8	8	8	8	8	8	8	
最大轴孔 Max stem Dia φ(d)		185			190				200			200	
安装高度 Install-height(H2)		248			258				284			284	
手轮 Handwheel(M)		600			900				900			1000	

### 外形尺寸 APPEARANCE-SIZE

A	415	475	590	415	475	630	475	560	686	475	560	686
B	672	702	759.5	686	716	793.5	735	777.5	840.5	735	777.5	840.5
C	600	600	600	625	625	625	680	680	680	680	680	680
L	850.5	880.5	938	865.5	895.5	973	925.5	968	1031	925.5	968	1093
L1	24	24	24	24	24	24	24	24	24	24	24	24
L2	643	643	643	658	658	658	688	688	688	750	750	750
H	321	321	321	321	321	321	340	340	340	340	340	340
H1	140	140	140	140	140	140	150	150	150	150	150	150
H3	297.5	297.5	297.5	297.5	297.5	297.5	307.5	307.5	307.5	307.5	307.5	307.5
H4	140	140	140	140	140	140	140	140	140	140	140	140
E	20	20	20	20	20	20	20	20	20	20	20	20
K	6	6	6	6	6	6	6	6	6	6	6	6
G	120	120	120	120	120	120	132	132	132	132	132	132



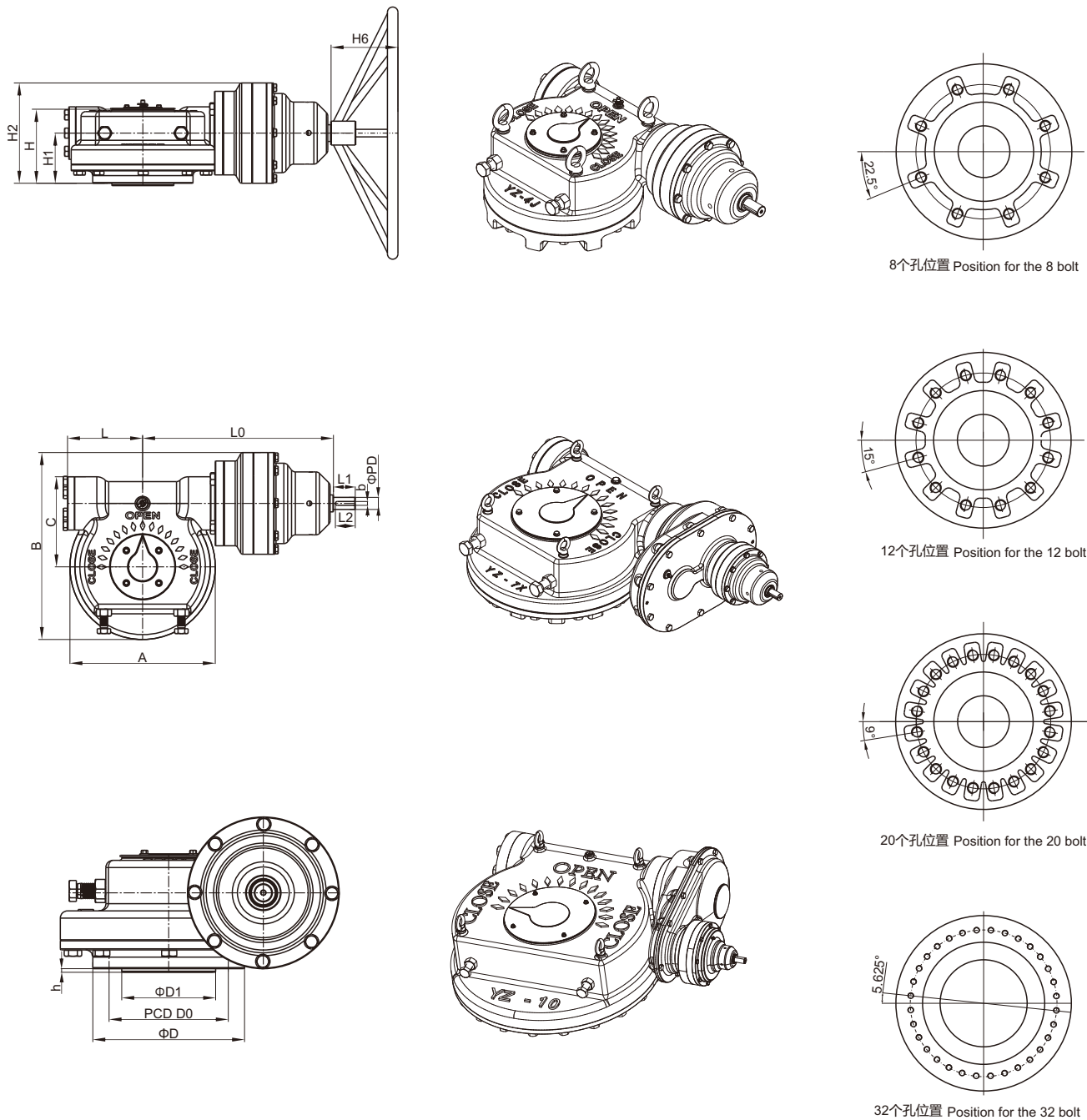
# YZ-SS

## 部分回转齿轮箱 YZ-SS Series Partial swing gearbox



该装置是直接安装在球阀、蝶阀、旋塞阀、半球阀、旋球阀等部分回转阀门上的手动装置，该装置采用蜗轮蜗杆与直齿轮减速器结构，输出扭矩大，噪音低，运行平稳。常规产品防护等级为IP65，特殊情况下可做IP67、IP68或者浸没水下使用。手轮和阀门连接盘、轴孔可根据用户需求定制。该产品可随意切换两种速比，在开阀和关阀的时候可以使用大速比输出大扭矩启闭阀门，等阀门压力卸去即可使用小速比快速运行阀门，其开阀关阀圈数可结合不同的阀门需求调整。

The device is a manual device directly installed on some rotary valves such as ball valve, butterfly valve, plug valve, hemispherical valve and rotary ball valve. The device adopts the structure of worm gear and spur gear reducer, with large output torque, low noise and stable operation. The protection grade of conventional products is IP65. Under special circumstances, it can be used as IP67, IP68 or submerged underwater. Hand wheel, valve connecting plate and shaft hole can be customized according to user's needs. The product can switch two speed ratios at will. When opening and closing the valve, you can use the high speed ratio to output high torque to open and close the valve. When the valve pressure is removed, you can use the low speed ratio to operate the valve quickly. The number of opening and closing turns can be adjusted in combination with different valve requirements.



# YZ-SS

## 部分回转齿轮箱 YZ-SS Series Partial swing gearbox



型号 Model	YZ-3J -SS	YZ-4 -SS	YZ-4J -SS	YZ-5 -SS	YZ-5J -SS	YZ-6 -SS	YZ-6J -SS	YZ-7 -SS	YZ-7X -SS	YZ-7J -SS	YZ-8 -SS	YZ-8J -SS	YZ-9 -SS	YZ-9J -SS	YZ-10 -SS	YZ-11 -SS	YZ-12 -SS
-------------	--------------	-------------	--------------	-------------	--------------	-------------	--------------	-------------	--------------	--------------	-------------	--------------	-------------	--------------	--------------	--------------	--------------

### 技术参数 TECHNICAL-PARAMETERS

快速速比 Ratio		53:1	55:1	57:1	228:1	301:1	306:1	433:1	568:1	722:1	940:1	1316:1	1252:1	1646:1	2210:1	2840:1	3080:1	4025:1
慢速速比 Ratio		265:1	378:1	625:1	958:1	1266:1	1285:1	1820:1	2386:1	3030:1	3950:1	5530:1	7510:1	9880:1	13260:1	17045:1	24620:1	32200:1
最大转矩 Max-torque	N•m	7500	10000	16500	23000	28000	32000	48000	63000	80000	100000	140000	190000	250000	350000	450000	650000	850000
	kgf•m	765	1124	1684	2346	2857	3265	4898	6428	8163	10204	14285	19388	25510	35714	45918	66326	86734
输入力矩 Input torque Nm		110	110	110	110	110	110	110	110	110	110	110	110	115	115	120	120	

### 连接尺寸 CONNECTION-SIZE

法兰号 FLANGE		F20	F25	F30	F30	F35	F35	F40	F40	F48	F48	F48	F60	F60	F60	F80	F100	F100
法兰外圆 (D)		250	300	350	350	415	415	475	475	560	560	560	686	686	686	900	1200	1200
连接孔 中心 PCD	D0	205	254	298	298	356	356	406	406	483	483	483	603	603	603	813	1042	1042
	N-H-DP	8-M16 -24	8-M16 -24	8-M20 -30	8-M20 -30	8-M30 -45	8-M30 -40	8-M36 -54	8-M36 -54	12-M36 -54	12-M36 -54	12-M36 -54	20-M36 -54	20-M36 -54	20-M36 -54	20-M42 -54	32-M42 -54	32-M42 -54
凸面 Convex (D1×h)		140X5	200×5	230×5	230×5	260×5	260×5	300×8	300×8	370×8	370×8	370×8	470×8	470×8	470×8	670×10	870X10	870X10
最大阀杆 mm(Φd) Max-Stem-Diameter		75 22X14	90 25×14	110 28×16	110 28×16	120 32×18	120 32×18	145 40×22	160 40×22	170 45×25	180 45×25	200 45×25	210 50×28	220 50×28	270 63×32	300 70×36	380 80×40	420 90×45

### 外形尺寸 APPEARANCE-SIZE

A	300	340	350	390	430	470	560	590	620	660	730	770	800	1030	1150	1550	1830
B	381	435	450	497.5	537.5	585	674.5	734.5	785	819	897	968	1056	1290	1405	1901	2207.5
C	186	222	243	232	275	298	357	375	395	405	452	525	535	680	710	955	1170
L	155	167	185	187	225	232	280	295	315	340	365	395	420	530	475	770	820
L1	394	378.5	398.5	582	617.5	576.5	686	682	757	778	787	894	914.5	1016	1046	1431	1676
H	155	182.5	185	190	195	200	243	244	270	292	305	380	400	428	415	555	655
H1	105	122.5	122	120	132	127	145	153	167	193	208	215	250	261	263	355	410
H2	210	227.5	229.5	237.5	242.5	254	288.5	305	355	373	390	437.5	522	541	547	744	796
手轮 Handwheel	PD	25	25	25	25	25	25	25	25	25	25	25	25	32	32	32	32
	(b)key	8	8	8	8	8	8	8	8	8	8	8	8	10	10	10	10
	L1	45	45	45	45	45	45	45	45	45	45	45	45	45	60	60	60
	L2	41	41	41	41	41	41	41	41	41	41	41	41	41	51	51	51
	H6	140	140	140	160	160	160	160	180	180	180	180	200	200	200	200	200
	M	500	500	500	600	600	600	650	700	750	750	750	800	800	1000	1000	1200



# MY-1S

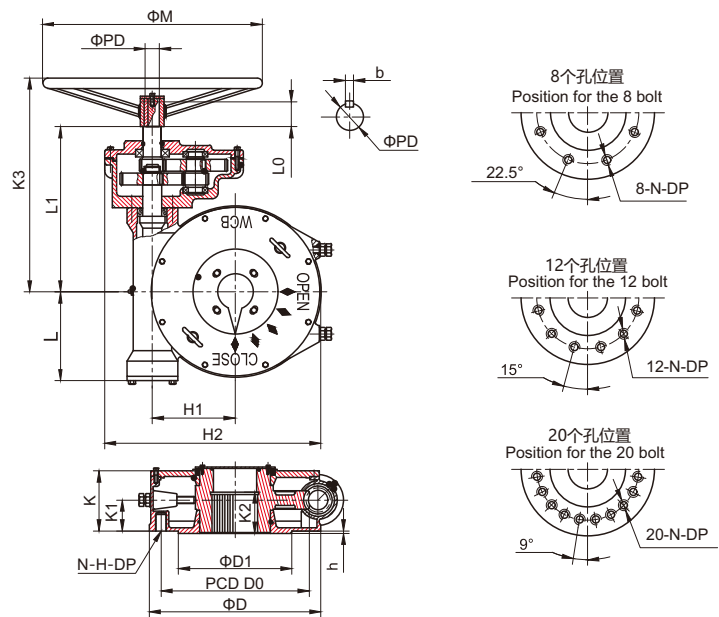
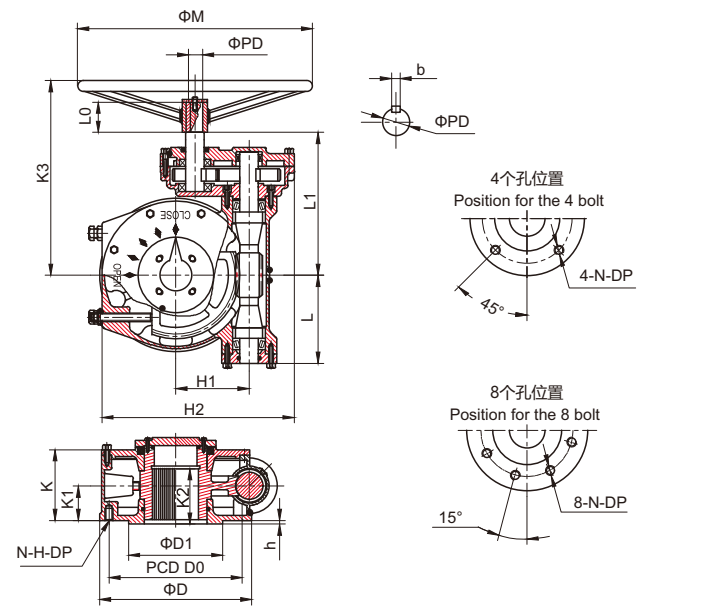
## 部分回转型阀门手动装置

MY-1S Series Quarter turn manual gear actuator



该系列是一款90°部分回转手动驱动装置。适用于球阀、蝶阀、旋塞阀、旋球阀等阀门。箱体采用精密铸造，样式新颖，外形美观。采用蜗轮蜗杆传动，蜗轮副自锁，使用圆锥滚子轴承，传动更加灵活，效率高。蜗轮与阀门阀杆连接部分有实体和内置螺母两款供客户选择，法兰全部采用ISO5211国际标准，与阀门配套更加方便。防护等级为IP65，特殊环境还可做到IP68以及浸没模式。

This series of products is quarter turn manual gear actuator. Suit to be used in ball valves, butterfly valves, plug valves, rotary ball valves etc. The housing made by precise casting, new design, nice appearance. It transmitted by worm gear and worm. The worm gear with self-locking. With tapered roller bearing, so the gearboxes can be operated more flexibly and have higher efficiency. Two connection types for choose: stem and key connection and removable nut type. The mounting flange adapts to ISO 5211. So the gearboxes installed on the valve are very convenient. General products protection grade is IP65. For special environment can be done IP68 and immersion.



# MY-1S

## 部分回转型阀门手动装置

MY-1S Series Quarter turn manual gear actuator



型号 Model	MY-0-1S	MY-1-1S	MY-2-1S	MY-3-1S	MY-4-1S	MY-4-1SZ	MY-5-1S	MY-5-1SZ	MY-6-1S	MY-6-1SZ	MY-7-1SZ	MY-8-1SZ	MY-9-1SZ	MY-10-1SZ
----------	---------	---------	---------	---------	---------	----------	---------	----------	---------	----------	----------	----------	----------	-----------

### 技术参数 TECHNICAL-PARAMETERS

速比 Ratio		72:1	85:1	122:1	187:1	190:1	335:1	273:1	625:1	408:1	952:1	1390:1	1840:1	4035:1	5280:1
最大转矩 Max-torque	N-m	1000	1850	3000	4500	6500	8000	10000	15000	15000	18000	40000	53000	130000	170000
	kgf-M	102	188	306	408	663	816	1020	1530	1531	1836	2857	5408	8163	8163
输入扭矩 Input torque N.m		54	84	96	93	131	96	103	96	147	79	120	120	140	140

### 连接尺寸 CONNECTION-SIZE

法兰号 Flange		F12	F14	F16	(F20)	F25	F25	F30	F30	F35	F35	F40	F48	F60	F60
法兰外圆(D)		150	175	210	250	300	300	350	350	415	415	475	560	686	686
连接孔中心 PCD	D0	125	140	165	205	254	254	298	298	356	356	406	483	603	603
	N-H-DP	4-M12	4-M16	4-M20	8-M16	8-M16	8-M16	8-M20	8-M20	8-M30	8-M30	8-M36	12-M36	20-M36	20-M36
凸面Convex (D1×h)		85×3	100×4	130×5	140×5	200×5	200×5	230×5	230×5	260×5	260×5	300×8	370×8	470×8	470×8
最大阀杆mm (Φd) Max-Stem-Diameter		38	45	55	65	80	80	105	105	115	115	140	155	200	220
		12×8	14×9	16×10	20×12	22×14	22×14	28×16	28×16	32×18	32×18	36×20	40×22	45×25	50×28

### 外形尺寸 APPEARANCE-SIZE

H1		66	75	92	111	145	145	160	160	200	200	225	270	315	355
H2		196	221	283	322	388	388	404	404	510	510	582	670	740	765
K		89	89	108	110	140	140	140	140	179	179	188	203	230	240
K1		47	45	63	57	80	80	70	70	90	90	100	100	117	125
K2		47	58	62	60	100	100	102	102	112	112	140	155	176	200
K3		243.5	253.5	312.5	322.5	362.5	383	395	421	530	556	633.5	676	803	852.5
L		83	92	113	125	155	155	197	197	230	230	264	300	368	370
L1		153.5	163.5	222.5	232.5	262.5	283	295	321	330	356	433.5	476	603	652.5
手轮 handwheel	PD	15	21	21	28	28	28	28	28	32	32	38	45	45	45
	(b)key	5	6	6	8	8	8	8	8	10	10	10	12	12	12
	L0	32	36	36	46	46	46	46	46	61	61	61	61	61	61
	M	300	350	400	450	500	500	600	600	650	650	700	750	800	800

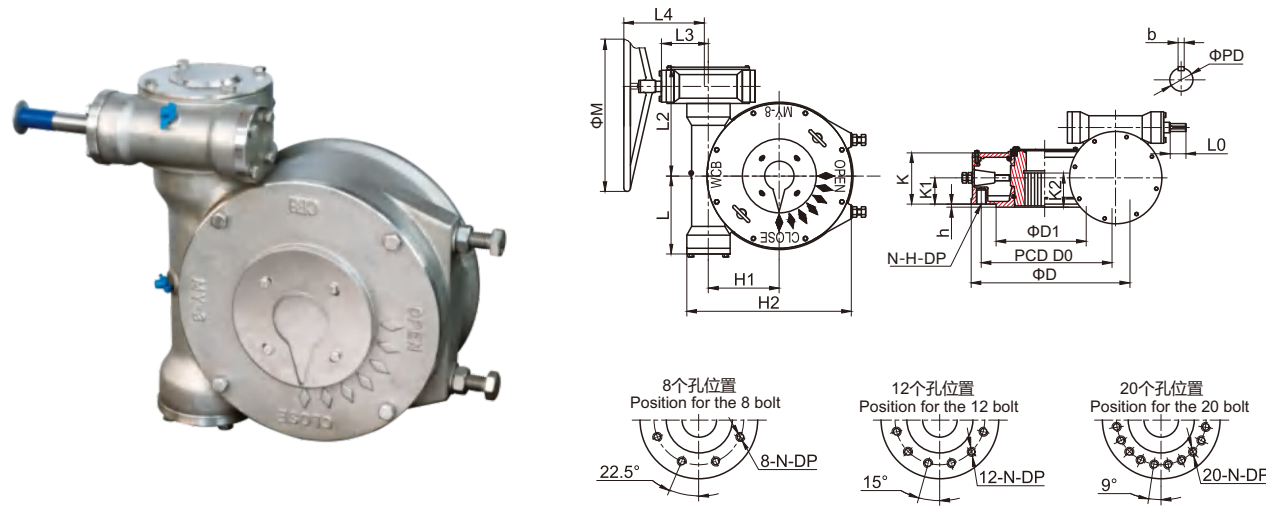
# MY-S

## 部分回转型阀门手动装置 MY-S Series Quarter turn manual gear actuator



该系列是一款90°部分回转手动驱动装置。适用于球阀、蝶阀、旋塞阀、旋球阀等阀门。箱体采用精密铸造，样式新颖，外形美观。采用蜗轮蜗杆传动，蜗轮副自锁，使用圆锥滚子轴承，传动更加灵活，效率高。蜗轮与阀门阀杆连接部分有实体和内置螺母两款供客户选择，法兰全部采用 ISO5211 国际标准，与阀门配套更加方便。防护等级为IP65。

This series of products is quarter turn manual gear actuator. Suit to be used in ball valves, butterfly valves, plug valves, rotary ball valves etc. The housing made by precise casting, new design, nice appearance. It transmitted by worm gear and worm. The worm gear with self-locking. With tapered roller bearing, so the gearboxes can be operated more flexibly and have higher efficiency. Two connection types for choose: stem and key connection and removable nut type. The mounting flange adapts to ISO 5211. So the gearboxes installed on the valve are very convenient. General products protection grade is IP65.



型号 Model	MY-4S	MY-5S	MY-6S	MY-7S	MY-8S	MY-9S
技术参数 TECHNICAL-PARAMETERS						
速比 Ratio	1170:1	1426:1	1541:1	1593:1	2250:1	2550:1
最大转矩 Max-torque	N-m	8000	15000	18000	28000	53000
	kgf-M	816	1530	1836	2857	5408
机械效率 Mechanical efficiency M.A.±10%	105.3	128.3	138.7	143.4	202.5	229.5
连接尺寸 CONNECTION-SIZE						
法兰号 Flange	F25	F30	F35	F40	F48	F60
法兰外圆(D)	300	350	415	475	560	686
连接孔中心 PCD	D0	254	298	356	406	603
	N-H-DP	8-M16-24	8-M20-27	8-M30-45	8-M36-54	12-M36-54
凸面Convex (D1×h)	200×5	230×5	260×5	300×8	370×8	470×8
最大阀杆mm (Φd) Max-Stem-Diameter	80 22×14	105 28×16	115 32×18	140 36×20	155 40×22	180 45×25
外形尺寸 APPEARANCE-SIZE						
H1	145	160	200	225	270	335
H2	344	390	465	540	632	740
K	140	140	179	188	203	215
K1	80	70	90	100	100	117
L	155	197	230	264	300	368
L2	244	286	319	372	410	508
L3	83	92	92	113	125	155
L4	230	285	285	330	380	430
手轮 handwheel	PD	21	21	21	28	28
	(b)key	6	6	6	8	8
	L0	36	36	36	46	46
	M	300	350	400	450	500

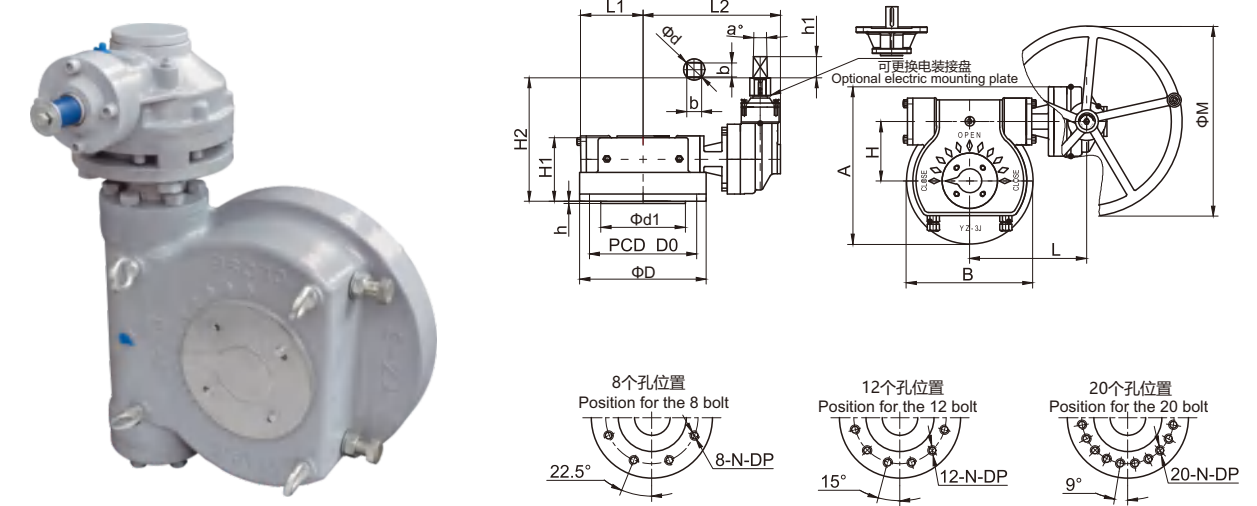
# YZ-G

## 部分回转型管网式阀门手动装置 YZ-G Series Worm + Bevel gear actuator



该系列是一款90°部分回转手动驱动装置。适用于球阀、蝶阀、旋塞阀、旋球阀等阀门。箱体采用精密铸造，样式新颖，外形美观。采用蜗轮蜗杆传动，蜗轮副自锁，使用圆锥滚子轴承，传动更加灵活，效率高。蜗轮与阀门阀杆连接部分有实体和内置螺母两款供客户选择，法兰全部采用 ISO5211 国际标准，与阀门配套更加方便。防护等级为IP65。

This series of products is quarter turn manual gear actuator. Suit to be used in ball valves, butterfly valves, plug valves, rotary ball valves etc. The housing made by precise casting, new design, nice appearance. It transmitted by worm gear and worm. The worm gear with self-locking. With tapered roller bearing, so the gearboxes can be operated more flexibly and have higher efficiency. Two connection types for choose: stem and key connection and removable nut type. The mounting flange adapts to ISO 5211. So the gearboxes installed on the valve are very convenient. General products protection grade is IP65.



型号 Model	YZ-1-G	YZ-2-G	YZ-2J-G	YZ-3-G	YZ-3J-G	YZ-4-G	YZ-4J-G	YZ-5-G	YZ-5J-G	YZ-6-G	YZ-6J-G	YZ-7-G	YZ-7X-G	YZ-7J-G	YZ-8-G	YZ-8J-G	YZ-9-G	YZ-9J-G	YZ-10-G
技术参数 TECHNICAL-PARAMETERS																			
速比 Ratio	102:1	102:1	112:1	118:1	345:1	380:1	740:1	855:1	870:1	1170:1	1350:1	2952:1	2946:1	3240:1	4725:1	5940:1	8300:1	7308:1	13150:1
最大转矩 Max-torque N-m	1200	2000	3000	4500	7500	12000	16500	23000	28000	32000	48000	63000	80000	100000	140000	190000	250000	350000	400000
	60	90	130	190	125	175	120	155	160	150	175	150	150	195	190	160	190	240	190
输入扭矩 input torque N-m	60	90	130	190	125	175	120	155	160	150	175	150	150	195	190	160	190	240	190
最大阀杆mm (Φd) Max-Stem-Diameter	42	50	60	60	75	90	110	110	120	120	145	160	170	180	200	210	200	270	300
	12×8	14×9	18×11	18×11	22×14	25×14	28×16	28×16	32×18	32×18	40×22	40×22	45×25	45×25	45×25	50×28	50×28	63×32	70×36
连接尺寸 CONNECTION-SIZE																			
法兰号 Flange	F12	F14	F16	F16	F20	F25	F30	F30	F35	F35	F40	F40	F48	F48	F48	F60	F60	F60	F80
法兰外圆(D)	150	175	210	210	250	300	350	350	415	415	475	475	560	560	560	686	686	686	900
连接孔中心 PCD	D0	125	140	165	165	205	254	298	298	356	356	406	406	483	483	603	603	603	813
	N-H-DP	4-M12-18	4-M16-20	4-M20-30	4-M20-30	8-M16-24	8-M16-24	8-M20-30	8-M20-30	8-M30-45	8-M30-45	8-M36-54	8-M36-54	12-M36-54	12-M36-54	12-M36-54	20-M36-54	20-M36-54	20-M36-54
凸面Convex (D1×h)	85×3	100×4	130×5	130×5	140×5	200×5	230×5	230×5	260×5	260×5	300×8	300×8	370×8	370×8	370×8	470×8	470×8	470×8	670×10
外形尺寸 APPEARANCE-SIZE																			
A	217.5	240	269.5	296.5	373	423	450	460	555	595	682	715	740	770	894.5	965	1056	1290	1405
B	150	175	210	225	300	340	350	390	430	470	555	590	620	660	730	770	800	1030	1150
L	212	222	242	253	277	289.5	333.5	336	558.5	571	627	637	657	682	704.5	809	807	854.5	924.5
L1	85	95	115	122	147.5	167.5	185	187.5	225	232.5	280	295	315	340	360	395	417.5	530	475
L2	257	267	287	301	325	334.5	382	384.5	602	614.5	689.5	690	719.5	735	778	831	880.5	928	998
H	70	80	92	104	140	160	170	160	200	220	262	280	290	300	342	360	535	495	550
H1	100.5	110	128.5	150	150	177.5	184.5	182.5	190	195	235	235	262	274	295	368	392	428	405
H2	246.5	256.5	270	291.5	286.5	327.5	340.5	338.5	351	346	403	404	426	444	482	497	524	543	537
h1	50	50	50	50	50	50	50	50	50	50	50	50	50	50	50	50	50	50	50
b	35	35	35	35	35	35	35	35	35	35	35	35	35	35	35	35	35	35	35
Φd	50	50	50	50	50	50	50	50	50	50	50	50	50	50	50	50	50	50	50
a	4	4	4	4	4	4	4	4	4	4	4	4	4	4	4	4	4	4	4
ΦM	350	350	400	400	400	500	500	500	500	500	600	600	600	600	650	700	700	800	800



# YZ-1S-L

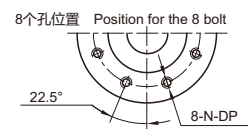
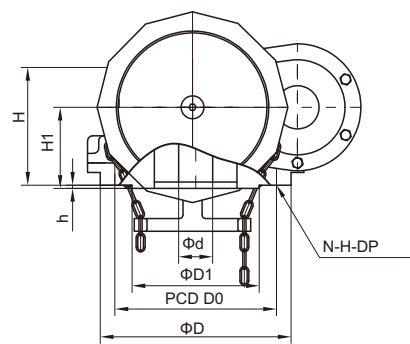
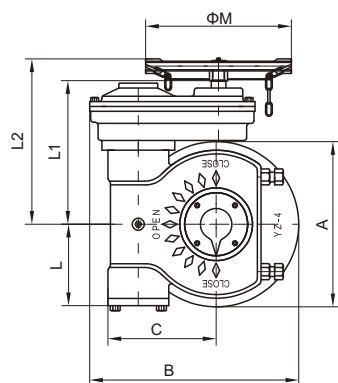
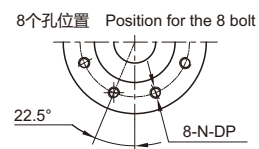
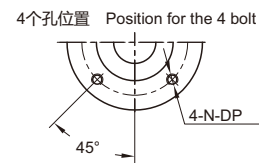
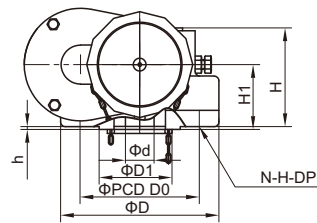
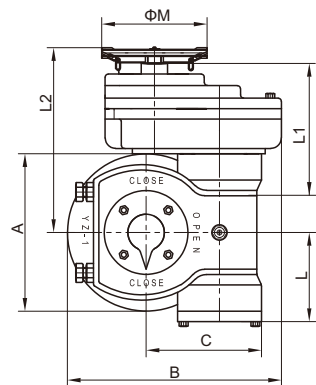
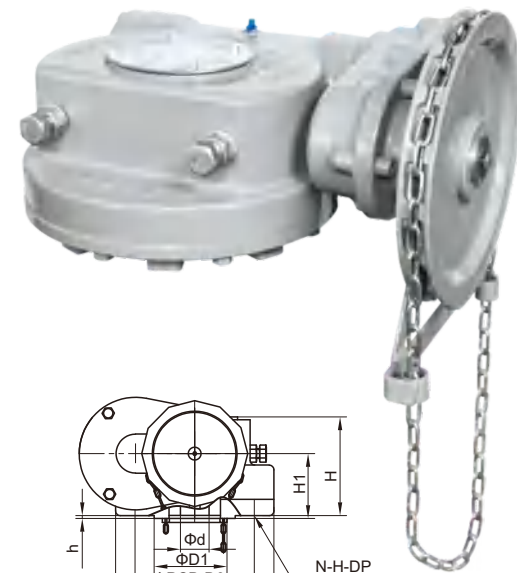
## 部分回转型阀门手动装置

YZ-1S-L Series Quarter turn manual gear actuator



该系列是一款90°部分回转手动驱动装置。适用于球阀、蝶阀、旋塞阀等阀门。箱体采用精密铸造，样式新颖，外形美观。采用蜗轮蜗杆传动，蜗轮副自锁，使用圆锥滚子轴承，传动更加灵活，效率高。法兰全部采用ISO5211国际标准，与阀门配套更加方便。防护等级为IP65，特殊环境还可做到IP68以及浸没模式。

This series of products is quarter turn manual gear actuator. Suit to be used in ball valves, butterfly valves, plug valves, rotary ball valves etc. The housing made by precise casting, new design, nice appearance. It transmitted by worm gear and worm. The worm gear with self-locking. With tapered roller bearing, so the gearboxes can be operated more flexibly and have higher efficiency. The mounting flange adapts to ISO 5211. So the gearboxes installed on the valve are very convenient. General products protection grade is IP65. For special environment can be done IP68 and immersion.



# YZ-1S-L

## 部分回转型阀门手动装置

YZ-1S-L Series Quarter turn manual gear actuator



型号 Model	YZ-1 -S-L	YZ-2 -S-L	YZ-2J -S-L	YZ-3 -S-L	YZ-3J -S-L	YZ-4 -S-L	YZ-4J -S-L	YZ-5 -S-L	YZ-5J -S-L	YZ-6 -S-L	YZ-6J -S-L	YZ-7 -S-L	YZ-7X -S-L	YZ-7J -S-L	YZ-8 -S-L	YZ-8J -S-L	YZ-9 -S-L	YZ-9J -S-L	YZ-10 -S-L	YZ-11 -S-L	YZ-12 -S-L
----------	--------------	--------------	---------------	--------------	---------------	--------------	---------------	--------------	---------------	--------------	---------------	--------------	---------------	---------------	--------------	---------------	--------------	---------------	---------------	---------------	---------------

### 技术参数 TECHNICAL-PARAMETERS

速比 Ratio	78:1	78:1	127:1	200:1	375:1	495:1	798:1	868:1	1100:1	1285:1	2067:1	2260:1	3030:1	3960:1	5535:1	5900:1	7760:1	8526:1	9660:1	114130:1	19320:1	
最大转矩 Max-torque	N-m	1300	1600	3000	4500	7500	12000	16500	23000	28000	32000	48000	63000	80000	100000	140000	190000	250000	350000	400000	650000	850000
	kgf-m	132	204	306	612	765	1124	1684	2346	2857	3265	4898	6428	8163	10204	14285	19388	25510	35714	40816	66326	86734
输入扭矩 Input torque N.m	69	85	91	90	85	93	86	110	106	104	106	110	110	110	110	140	140	180	180	200	200	

### 连接尺寸 CONNECTION-SIZE

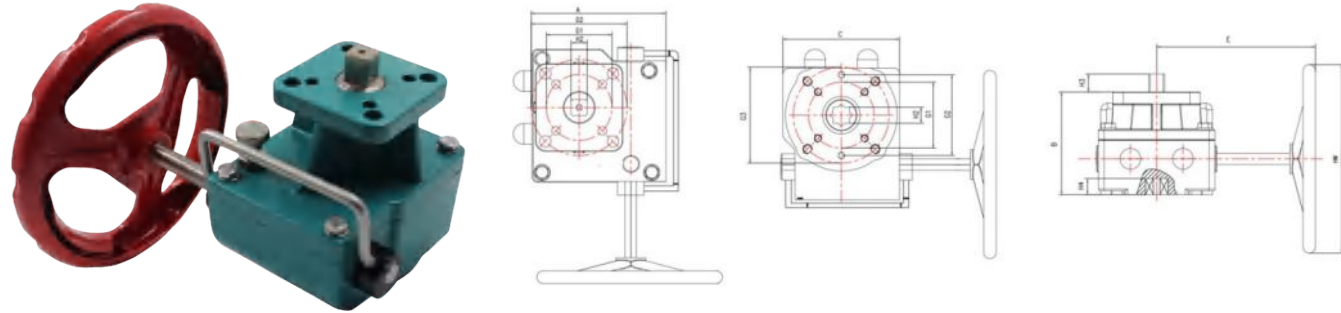
法兰号 Flange	F12	F14	F16	F16	F20	F25	F30	F30	F35	F35	F40	F40	F48	F48	F48	F60	F60	F60	F80	F100	F100	
法兰外圆(D)	150	175	210	210	250	300	350	350	415	415	475	475	560	560	560	686	686	686	900	1200	1200	
连接孔中心 PCD	D0	125	140	165	165	205	254	298	298	356	356	406	406	483	483	483	603	603	603	813	1042	1042
	N-H-DP	4-M12 -18	4-M16 -20	4-M20 -30	4-M20 -30	8-M16 24	8-M16 -24	8-M20 -30	8-M20 -30	8-M30 -45	8-M30 -40	8-M36 -54	8-M36 -54	12-M36 -54	12-M36 -54	12-M36 -54	20-M36 -54	20-M36 -54	20-M36 -54	20-M42 -65	32-M42 -65	32-M42 -65
凸面 Convex (D1×h)	85×3	100×4	130×5	130×5	140×5	200×5	230×5	230×5	260×5	260×5	300×8	300×8	370×8	370×8	370×8	470×8	470×8	470×8	670×10	10870×10	10870×10	
最大阀杆 mm (Φd) Max-Stem-Diameter	42 12×8	50 14×9	60 18×11	60 18×11	75 22×14	90 25×14	110 28×16	110 28×16	120 32×18	120 32×18	145 40×22	160 40×22	170 45×25	180 45×25	200 45×25	210 50×28	220 50×28	270 63×32	300 70×36	380 80×40	420 90×45	

### 外形尺寸 APPEARANCE-SIZE

A	150	175	210	225	300	340	350	390	430	470	560	590	620	660	730	770	800	1030	1150	1550	1830
B	204	226	245	300	331	430	418	468	488	595	637	670	705	735	895	910	995	1290	1405	1730	2085
C	110	120	140	125	186	222	243	232	275	298	357	375	395	405	452	525	535	680	710	955	1170
L	85	95	115	122	148	167	185	187	225	232	280	295	315	340	365	395	420	530	475	770	820
L1	160	172	220	224	295	295	328	354	365	416	465	515	495	714	670	737	940	1016	980	2160	2300
L2	250	262	240	324	405	445	468	554	525	616	685	715	675	835	820	937	1090	1216	1130	2360	2500
H	105	114	132	154	155	185	185	190	195	200	243	244	270	292	305	380	400	428	415	555	655
H1	68	78	93	106	105	127	122	120	132	127	145	153	167	193	208	215	250	261	263	355	410
ΦM	300	300	400	400	500	500	500	600	600	650	650	700	750	750	750	800	800	1200	1000	1200	1200

新型手动机构与气动装置联合使用，用于90°开启的球阀、蝶阀、旋塞阀、旋球阀等实现手动或气动切换驱动。新款手动机构是我公司创新研发的产品，其特点是体积小，重量轻，扭矩大且抗压耐腐蚀，配置四列轴承组合，大大提升产品性能。产品整体防尘防水，防护等级可达IP65（可根据客户需求做到防护等级IP68）在发电厂，化工，炼油等对安全要求较高的生产过程中有广泛的应用。

A new type of manual mechanism is used in combination with pneumatic actuator. Used for manual or pneumatic switching and driving of ball valves, butterfly valves, plug valves, with a 90° opening. The new manual mechanism is a product innovatively developed characterized by small size, light weight, high torque, and pressure resistance and corrosion resistance. Each unit is equipped with four row bearing combinations, greatly improving product performance. The overall product is dust-proof and waterproof, with a protection level of up to IP65 (protection level of IP68 can be achieved according to customer needs). It is widely used in production processes with high safety requirements such as power plants, chemical engineering, and oil refining.



## SD系列气动阀门手操机构连接尺寸表

SD series pneumatic valve handheld mechanism connection size table

Model	A	B	C	D1	D2	E	F	G1	G2	G3	H1	H2	H3	H4	HW
SD-1	115	89.5	105	F05	F07	143	196	F05	F07	φ57	□14	□14	15	22	170
SD-2	135	120	113	F07	F10	178	245	F07	F10	φ70	□17	□17	20	26	190
SD-3	160	133	131	F07	F10/F12	200	271	F07	F10/F12	φ89	□22	□22	22	28	270
SD-4	202	180	167	F10	F12/F14	280	370	F10	F12/F14	φ108	□27	□27	29	32	300
SD-5	245	221	186	F14	F16	348	458	F14	F16	φ108	□36	□36	40	43	400
SD-6	280	251	205	/	F16	378	498	F14	F16	φ159	□46	□46	50	52	500
SD-7	315	286	205	φ200	F16	395	520	φ200	F16	φ159	□46	□46	50	52	550

我公司产品采用精密的加工设备，确保产品质量稳定可靠，细致是检测产品质量的保证。该产品特点体积小，重量轻，设计合理，外观新颖，集成一体设计，扭矩大，且抗腐蚀，产品防锈，防尘，防水密封标准。

The company's products use precision processing equipment to ensure stable and reliable product quality, and meticulous monitoring is the guarantee of product quality.  
Small size, light weight, reasonable design, and novel appearance  
Integrated design with high torque and resistance to pressure and corrosion  
Standard for rust prevention, dust prevention, waterproof sealing of products



## SD系列气动阀门手动机构技术参数

Technical parameters of SD series pneumatic valve manual mechanism

Model	AT双作用 (DA) AT double action (DA)	AT单作用 (SR) AT spring return (SR)	速比 Speed ratio	输出扭矩 Output torque
SD-1	DA52-105	SR52-92	26:1	240N.M
SD-2	DA105-125	SR105-125	28:1	600N.M
SD-3	DA140-160	SR125-140	38:1	900N.M
SD-4	DA190-210	SR160-190	54:1	1600N.M
SD-5	DA210-240	SR190-210	80:1	2100N.M
SD-6	DA240-270	SR210-240	78:1	3000N.M
SD-7	DA270-300	SR240-270	98:1	3800N.M



# ZHX

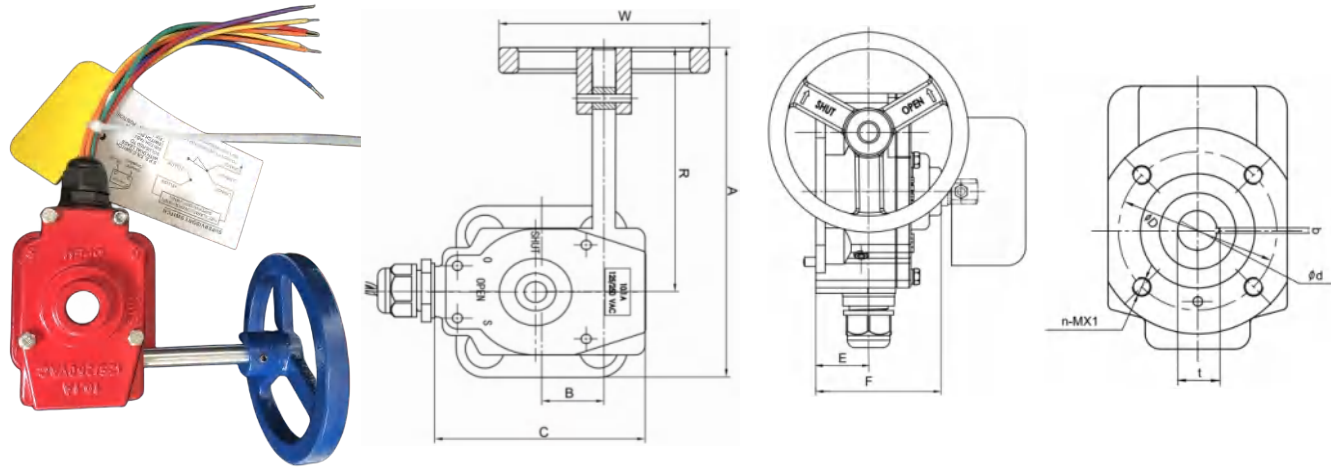
## 消防阀门信号手动装置

ZHX Series quarter turn manual gear actuator



该系列是一款90°部分回转消防阀门信号手动驱动装置。适用于球阀、蝶阀等消防阀门。箱体采用精密铸造，样式新颖，外形美观。采用蜗轮蜗杆传动，搭载微动开关，E211048认证电线，传动信号精准。传动更加灵活，效率高。法兰全部采用ISO5211国际标准，与阀门配套更加方便。采用密封垫全密封处理防水防油漏，防护等级为IP67。

This series is a 90° partial rotary fire valve signal manual drive. Apply to ball valve, butterfly valve and other fire valves. The box body adopts precision casting, novel style and beautiful appearance. Adopt worm and worm drive, carry microswitch, E211048 certified wire, transmission signal is accurate. More flexible transmission, high efficiency. Flanges all use ISO5211 international standards, and valve supporting more convenient. Water and oil leakage is treated with full sealing gasket with Ip67.



型号 Model	ZHX07	ZHX07-1	ZHX20	ZHX40
技术参数 TECHNICAL-PARAMETERS				
速比 Ratio	40:1	40:1	40:1	60:1
输出力矩 Output-torque N.M	270	270	590	900
轴孔 Bore(d)	24	24	24	32
连接尺寸 CONNECTION-SIZE				
法兰号FLANGE(Φ)	F07	F07	F10	F12
连接孔中心 PDC(D)	70	70	102	125
孔数-螺栓 Bolt(N-M)	4xM8-12	4xM8-12	4xM10-15	4xM12-18
外形尺寸 APPEARANCE-SIZE				
A	169	169	213	306
B	32	32	50	68
C	108	108	138	165
E	28.5	28.5	34	39
F	68.5	68.5	71.8	78.5
R	125	125	166	240
W	108	125	150	250

# MY-F

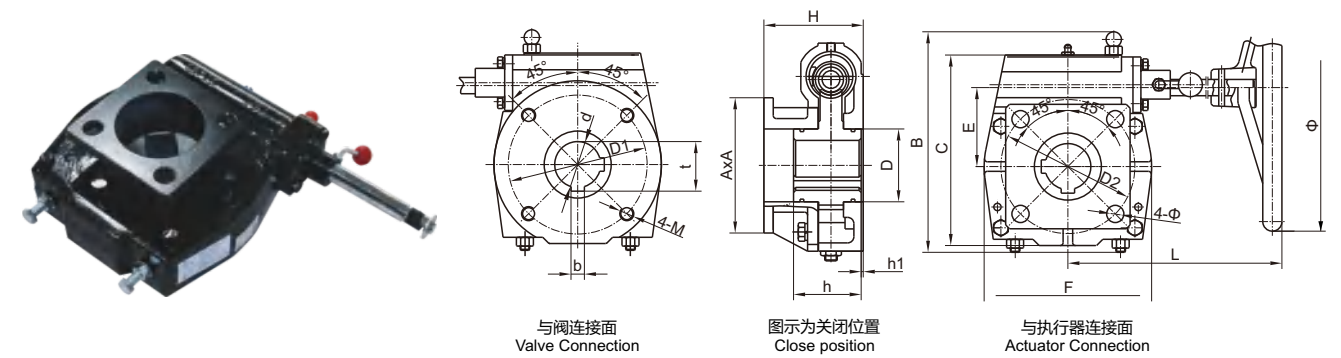
## 部分回转型阀门手动装置

MY-F Series Quarter turn declutchable type manual gear actuator



该系列是一款90°部分回转手动驱动装置。适用于球阀、蝶阀、旋塞阀等阀门。箱体采用精密铸造，样式新颖，外形美观。采用蜗轮蜗杆传动，蜗轮副自锁，使用圆锥滚子轴承，传动更加灵活，效率高。法兰全部采用ISO5211国际标准，与阀门配套更加方便。防护等级为IP65.特殊环境还可做到IP68以及浸没模式。

These are quarter turn gear actuators, suitable for ball valves, butterfly valves and plug valves etc. The housing is precisely cast, with fresh pattern and nice appearance. It transmitted by worm gear and worm, with self-locking function. Tapered roller bearing and thrust ball bearing combination makes the transmission more flexible and efficient. Max-torque of actuators matches with connecting flange standard, stem diameter and install height are all international standard. The connecting flange adapts to I.S.O.5211 makes it easy working with valves. Protection grade can be IP65, IP67, IP68 and Immersion mode according to customers requirements.



型号 Model	F26	F38	F54	F80	F78A	F100	F320	F420		
技术参数 TECHNICAL-PARAMETERS										
速比 Ratio	26:1	38:1	54:1	80:1	78:1	100:1	320:1	420:1		
输入力矩 Input-torque N.M	60	60	75	120	140	200	200	200		
输出力矩 Output-torque N.M	390	550	620	1200	2000	3500	5000	16000		
限位调整 Limit-adjustment	±5°	±5°	±5°	±5°	±5°	±5°	±5°	±5°		
蝶阀 Butterfly-valve DN	80	200	250	350	400	500	600	900		
球阀 Ball-valve DN	50	150	150	200	250	300	400	600		
连接尺寸 CONNECTION-SIZE										
气缸连接尺寸 Cylinder connection size	A0×A1	68×68	110×110	110×110	130×130	157×157	161×161	235×235	290×290	350
	连接孔中心 PDC(D2)	70	102	102	140	165	165	200	254	298
	4-Φd1	4-Φ9	4-Φ12	4-Φ12	4-Φ18	4-Φ22	4-Φ22	8-Φ18	8-Φ18	8-Φ22
阀门连接尺寸 Valve connection size	轴孔 Bore(d)	22	32	38	48	60	76	80	85	100
	平键(b)×键高×条数×90° Key(b)×Height×NO×90°	8×7×2	10×8×2	10×8×2	14×9×2	18×11×2	20×12×2	22×14×2	25×14×2	28×16×2
	连接孔中心 PDC(D0)	70	102	102	140	165	165	200	254	298
	孔数-螺栓 Bolt(N-M)	4-M8	4-M10	4-M10	4-M16	4-M20	4-M20	8-M16	8-M16	8XM20
H	85	90	90	100	125	130	118	200	250	
手轮Handwheel(Φ)	200	200	250	300	400	500	500	500	600	
外形尺寸 APPEARANCE-SIZE										
A	222	265	265	295	395	465	590	655	720	
B	170	203	203	220	280	324	445	510	530	
E	84	97	97	123	165	185	160	168	209	
G	133	159	159	201	283	325	350	385	470	
H2	87	96	96	108	132	136	143	255	283.5	
F	106	126	126	173	235	282	300	300	350	

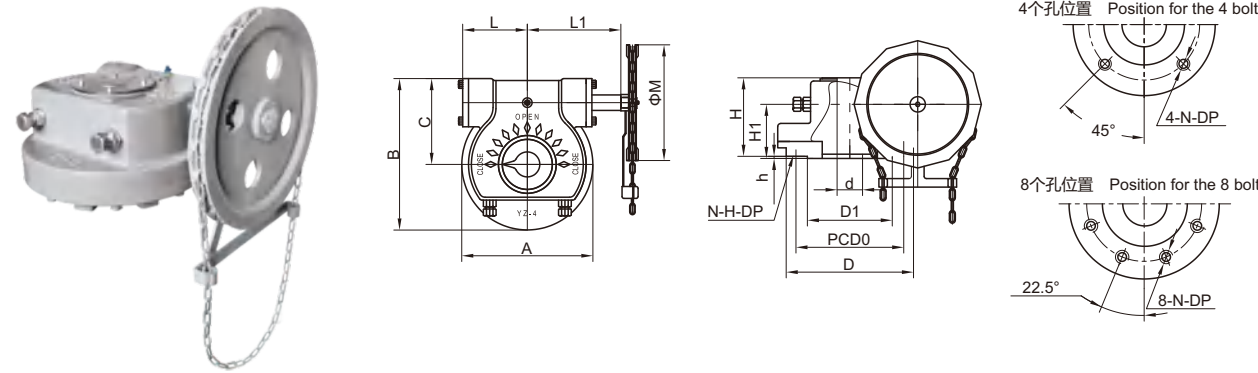
# YZ-L

## 部分回转型阀门手动装置 YZ-L Series Quarter turn manual gear actuator



该系列是一款90°部分回转手动驱动装置。适用于球阀、蝶阀、旋塞阀等阀门。箱体采用精密铸造，样式新颖，外形美观。采用蜗轮蜗杆传动，蜗轮副自锁，使用圆锥滚子轴承和推力球轴承结合，传动更加灵活，效率高。蜗轮箱输出扭矩与连接法兰标准扭矩相匹配，阀杆外径和安装高度符合国际标准。法兰全部采用ISO5211国际标准，与阀门配套更加方便。防护等级为IP65, 特殊环境还可做到IP68以及浸没模式。

This series of products is quarter turn manual gear actuator. Suit to be used in ball valves, butterfly valves, plug valves, rotary ball valves etc. The housing made by precise casting, new design, nice appearance. It transmitted by worm gear and worm. The worm gear with self-locking. With tapered roller bearing, so the gearboxes can be operated more flexibly and have higher efficiency. The gearboxes output torque according to mounting flange allowed torque. Stem diameter and height adapt international standard. The mounting flange adapts to ISO 5211. So the gearboxes installed on the valve are very convenient. General products protection grade is IP65. For special environment can be done IP68 and immersion.



型号 Model	YZ-0-L	YZ-1-L	YZ-2-L	YZ-2J-L	YZ-3-L	YZ-3J-L	YZ-4-L	YZ-4J-L	YZ-5	YZ-5J-L	YZ-6-L
技术参数 TECHNICAL-PARAMETERS											
速比 Ratio	34:1	44:1	44:1	50:1	50:1	50:1	55:1	67:1	62:1	67:1	65:1
最大转矩 Max-torque	N·m	500	1000	1500	2500	3200	4500	4950	5200	5580	6030
	kgf·m	51	102	153	255	327	459	505	530	569	615
输入扭矩 Input torque	N·m	50	90	115	166	215	300	300	258	300	350
连接尺寸 CONNECTION-SIZE											
法兰号 Flange	F10	F12	F14	F16	F16	F16/F20	F25	F30	F30	F35	F35
法兰外圆(D)	125	150	175	210	210	250	300	350	350	415	415
连接孔中心PCD	D0	102	125	140	165	165	205	254	298	298	356
	N-H-DP	4-M10-15	4-M12-18	4-M16-20	4-M20-30	4-M20-30	8-M16-24	8-M16-24	8-M20-30	8-M20-30	8-M30-45
凸面 Convex (D1×h)	70×3	85×3	100×4	130×5	130×5	140×5	200×5	230×5	230×5	260×5	260×5
最大阀杆 mm (Φd) Max-Stem-Diameter	30	42	50	60	60	75	90	110	110	120	120
	8×7	12×8	14×9	18×11	18×11	25×14	22×14	28×16	28×16	32×18	32×18
外形尺寸 APPEARANCE-SIZE											
A	125	150	175	210	225	300	340	350	390	430	470
B	156	185	207	245	265	331	393	418	427	488	532
C	90	110	120	140	125	186	222	243	232	275	298
L	80	85	95	115	122	147	167	185	187	225	232
L1	115	140	150	193	202	213	242	270	287	325	332
L2	205	220	230	335	352	335	392	430	487	525	562
H1	100	105	114	132	154	155	185	185	190	195	200
H2	70	68	78	93	106	105	127	122	120	132	127
ΦM	200	300	400	400	500	500	500	600	750	800	900

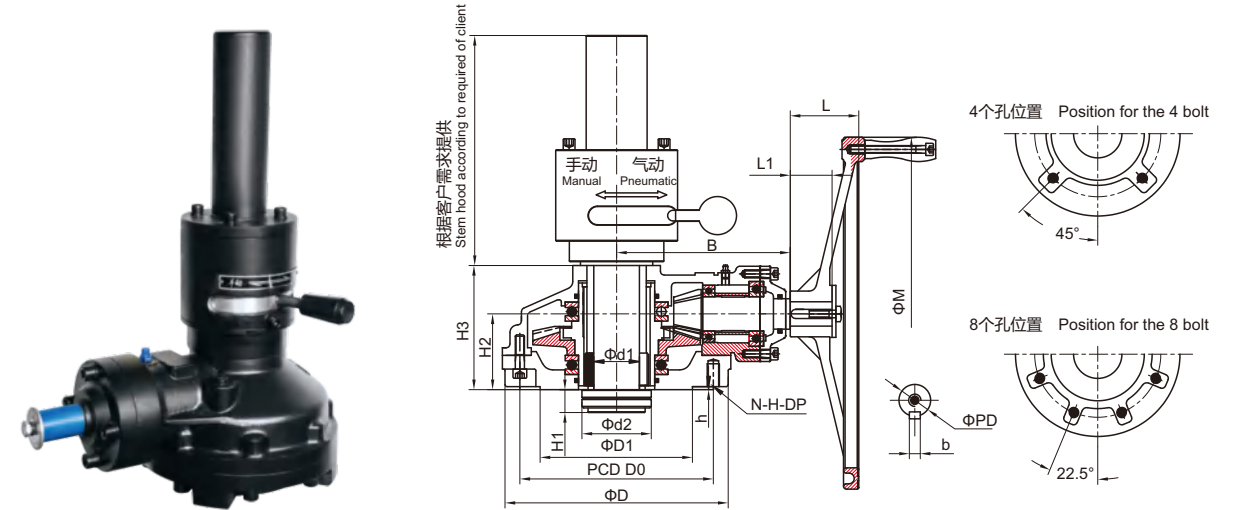
# BA-Q

## 多回转型阀门手动装置 BA-Q Series Multi-turn manual gear actuator



该装置是直接安装在气缸上的手动装置，该装置采用弧齿锥齿轮和平面推力轴承，有运转平稳、扭矩大、噪音小、效率高的优点。在所有的结合部，采用了密封垫全密封处理，达到了防水、防油漏的效果，防护等级为IP65。该装置在没有气源的情况下可手动切换手柄，转换成手动直接操作，产品还可根据推力大小安装二级减速器。

The manual gear actuator can be installed directly on the pneumatic. By using Spiral bevel gears and thrust ball bearing, the gear actuator can run smoothly, and have high output torque, low noise and high efficiency. It can avoid from waterproof & oil leakage as sealing glands are used at all the through part. Protection grade can be IP65. When have no air source, can manual switch to handle direct operation. Also can install second stage gearbox according to the thrust.



型号 Model	BA-000-Q	BA-00-Q	BA-0-Q	BA-1-Q	BA-2-Q	BA-3-Q	BAA-3-Q
技术参数 TECHNICAL-PARAMETERS							
速比 Ratio	2.35:1	3:01	3.6:1	4.5:1	5.2:1	6.3:1	23:01
最大转矩 Max-torque Nm	360	480	735	1470	2940	4000	6000
最大推力 Max-thrust N	43000	64000	98000	196000	340000	490000	630000
最大阀杆直径d1 Max-stem dia. Mm	25	30	40	52	70	90	110
闸阀 Gate-valve DN	50	80-100	150-200	250-400	450-700	800-1000	1200
截止阀 Globe-valve DN	50	80	100-150	200-250	300-350	400-500	550-650
法兰外圆(D)	15	22	28	54	110	198	320
连接尺寸 CONNECTION-SIZE							
连接孔中心 PCD	D0	125	140	165	254	298	356
	N-H-DP	4-M12-18	4-M16-24	4-M20-30	8-M16-24	8-M20-30	8-M30-45
凸面 Convex (D1×h)	85×3	100×4	130×5	200×5	230×5	260×5	260×5
外形尺寸 APPEARANCE-SIZE							
B	150	150	170	233	306	370	395
H1	25	25	25	35	35	45	45
H2	80	80	85	97	142	160	178
H3	125	125	155	175	210	280	290
L	40	75	92	107	107	118	118
手轮handwheel	PD	28	28	28	32	32	38
	(b)key	8×7	8×7	8×7	10×8	10×8	10×8
	L1	40	40	40	50	55	55
	M	300	300	400	460	520	600



# ZH

## 多回转型阀门手动装置 ZH Series Multi-turn manual gear actuator



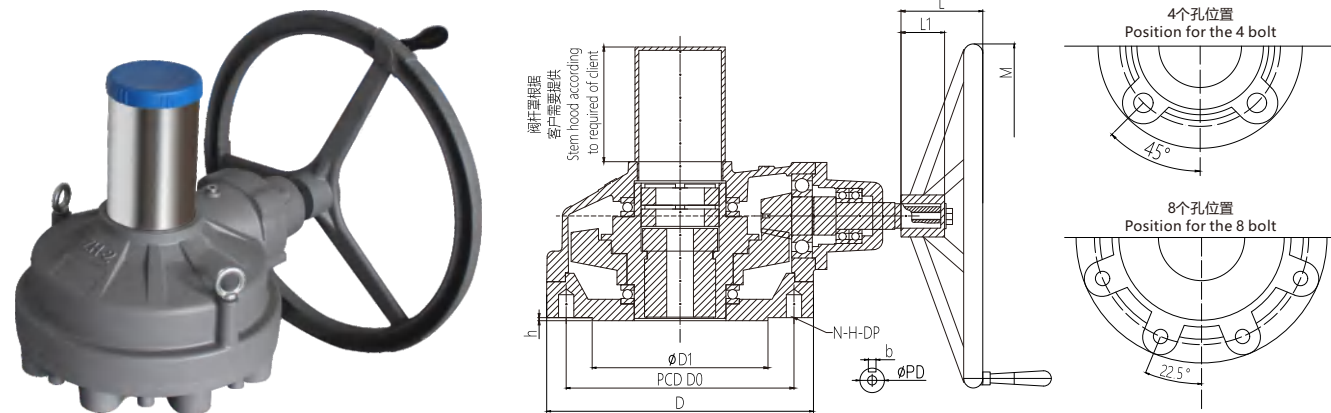
# ZH

## 多回转型阀门手动装置 ZH Series Multi-turn manual gear actuator



ZH 系列多回转型齿轮箱采用弧齿锥齿轮具有高安全，高品质的优点。测试证明ZH系列与传统伞齿轮箱相比具有更高的传动效率，承载能力更强，扭矩更大，运行更平稳等特点。Zh系列密封性能高，防水防油漏性能好。该系列手轮和轴套可拆卸，便于定制加工以符合各种工况要求。ZH系列有手动和电动两种操作方式，法兰符合 ISO 5210标准。

This bevel gearbox can be installed directly on the gate valves, butterfly valves, plug valves, globe valves and other valves. By using spiral bevel gears and thrust ball bearing, this series actuator can run smoothly, and has high output torque, low noise and high efficiency. It can avoid from water in and grease out. Protection grade is IP65. For special environment can be done IP68 and immersion. Handwheel and stem cover can be customized. For different valves and requirement, there are single stage gearboxes with input flange, two stage gearboxes with input flange, two stage manual gearboxes and so on.



型号Model	ZH-00	ZH-0	ZH-01	ZH-1	ZH-02	ZH-2	ZH-03	ZH-3	ZH-3-1S	ZH-4	ZH-4-1S
---------	-------	------	-------	------	-------	------	-------	------	---------	------	---------

### 技术参数 TECHNICAL-PARAMETERS

速比 Ratio	4:1	4:1	4:1	4:1	6:1	6:1	6:1	6:1	35.94:1	6:1	35.94:1
最大扭矩 Max-torque Nm	500	850	1350	1700	2960	3870	4320	4750	7800	5620	9000
最大阀杆直径 Max-stem dia. mm 铜螺母 Copper-nut	Φ 30	Φ 43	Φ 48	Φ 56	Φ 60	Φ 70	Φ 80	Φ 92	Φ 92	Φ 100	Φ 100

### 连接尺寸 CONNECTION-SIZE

法兰号 Flange	F14	F16	F25	F25	F30	F30	F35	F35	F35	F35	F35
法兰外圆 (D)	175	210	300	300	350	350	415	415	415	415	415
连接孔中心 PCD	D0	140	165	254	254	298	298	356	356	356	356
	N-H-DP	4-M16-24	4-M20-30	8-M16-24	8-M16-24	8-M20-30	8-M20-30	8-M30-45	8-M30-45	8-M30-45	8-M30-45
凸面 Convex (D1xh)	100X3	130X3	200X4	200X4	230X4	230X4	260X5	260X5	260X5	260X5	260X5

### 手轮尺寸 HANDWHEEL

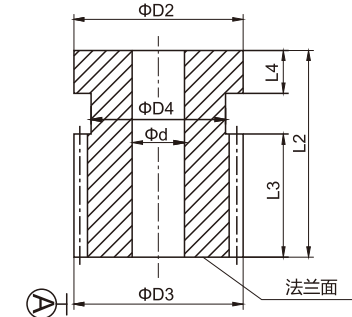
L	65	65	85	85	95	95	95	95	95	95	95
手轮 hand wheel	PD	25	25	32	32	32	38	38	32	38	32
	(b) key	8X7	8X7	10X8	10X8	10X8	12X8	12X8	10X8	12X8	10X8
	L1	40	40	50	50	55	55	55	55	55	55
	M	300	350	450	450	520	600	600	600	900	600

### BA阀杆螺母外形尺寸

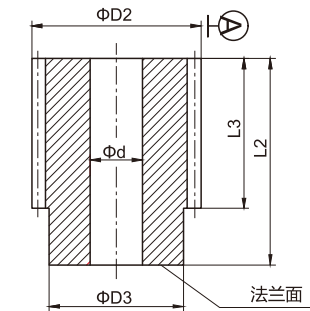
用户可根据该图选择加工阀杆螺母极限尺寸，加工内孔d时，注意与基准A的同轴度。阀杆螺母材质有H62, H94, D-2, ASTM A536 65-45-12等，用户可以根据需求选择。

### BA stem nut dimension

User could machining the limit stem nut hole according to this drawing. When you machining hole d, please pay attention to coaxality with reference A. Stem nut material: brass H62, bronze H94, ductile iron, D-2 and so on. you can choose it depends on your demand.



此图型号有  
This chart types are:  
ZH-000  
ZH-00  
ZH-0  
ZH-01  
ZH-1  
ZH-02  
ZH-2

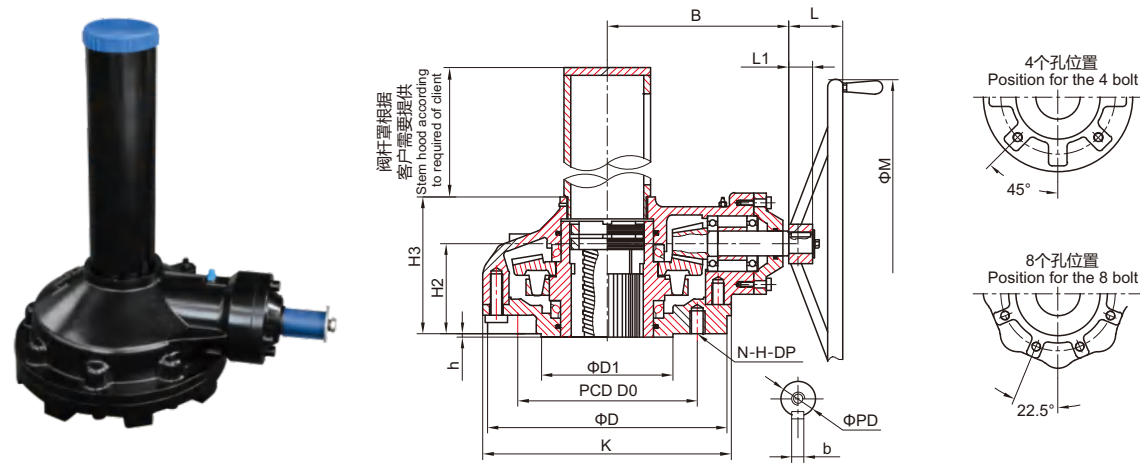


此图型号有  
This chart types are:  
ZH-03  
ZH-3  
ZH-3-1S  
ZH-4  
ZH-4-1S

型号 尺寸	ZH-00	ZH-0	ZH-01	ZH-1	ZH-02	ZH-2	ZH-03	ZH-3	ZH-3-1S	ZH-4	ZH-4-1S
D3	57	67	70	74	84	93	98	110	110	128	128
D2	57	68	74	78	88	98	111	123	123	141	141
L4	15	18	20	23	20	20					
L3	35	39	40	47	56	74	91	99	99	99	99
L2	60	67	70	80	88	106	112	140	140	155	155
D4	44.5	61.5	63	67	75.5	84.5					

该装置是直接安装在闸阀、蝶阀、旋塞阀和截止阀等阀门上的手动装置，该装置采用弧齿锥齿轮和平面推力轴承，有运转平稳、扭矩大、噪音小、效率高的优点。在所有的结合部，采用了密封垫全密封处理，达到了防水、防油漏的效果，防护等级为IP65。手轮和阀杆罩可根据用户需求定制。结合各类阀门使用要求及环境，还有单级带电连接、双级带电连接、双级手轮驱动等产品。

This bevel gearbox can be installed directly on the gate valves, butterfly valves, plug valves, globe valves and other valves. By using spiral bevel gears and thrust ball bearing, this series actuator can run smoothly, and has high output torque, low noise and high efficiency. It can avoid from water in and grease out. Protection grade is IP65. For special environment can be done IP68 and immersion. Handwheel and stem cover can be customized. For different valves and requirement, there are single stage gearboxes with input flange, two stage gearboxes with input flange, two stage manual gearboxes and so on.



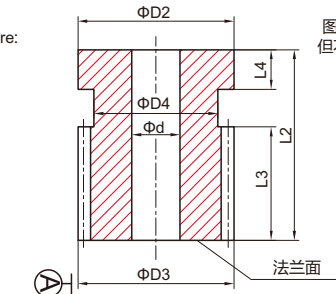
型号 Model	BA-000	BA-00	BA-0	BA-1	BA-2	BA-3	BAA-3
技术参数 TECHNICAL-PARAMETERS							
速比 Ratio	2.35:1	3:1	3.6:1	4.5:1	5.2:1	5.6:1	23:1
最大扭矩 Max-torque Nm	360	480	735	1470	2940	4000	6000
最大推力 Max-thrust N	43000	64000	98000	196000	340000	490000	630000
最大阀杆直径 Max-stem dia.mm 铜螺母 Copper-nut	25	30	40	52	70	90	110
闸阀 Gate-valve DN	50	80-100	150-200	250-400	450-700	800-1000	1200
截止阀 Globe-valve DN	50	80	100-150	200-250	300-350	400-500	550-650
参考重量 Weight Kg	15	22	28	54	110	198	320
连接尺寸 CONNECTION-SIZE							
法兰号 Flange	F12	F14	F16	F25	F30	F35	F35
法兰外圆(D)	150	175	210	300	350	415	415
连接孔中心 PCD	D0	125	140	165	254	298	356
	N-H-DP	4-M12-18	4-M16-24	4-M20-30	8-M16-24	8-M20-30	8-M30-45
凸面 Convex(D1xh)	85×3	100×4	130×5	200×5	230×5	260×5	260×5
外形尺寸 APPEARANCE-SIZE							
B	150	150	170	233	306	370	395
H2	80	80	85	97	142	160	178
H3	125	125	155	175	210	280	290
L	40	75	92	107	107	118	118
K	155	180	210	285	390	410	510
手轮 handwheel	PD	28	28	28	32	32	38
	(b)key	8×7	8×7	8×7	10×8	10×8	10×8
	L1	40	40	40	50	55	55
	M	300	300	400	460	520	600

BA阀杆螺母外形尺寸  
用户可根据该图选择加工阀杆螺母极限尺寸，加工内孔d时，注意与基准A的同轴度。  
阀杆螺母材质有H62, H94, D-2, ASTM A536 65-45-12等，用户可以根据需求选择。

BA stem nut dimension  
User could machining the limit stem nut hole according to this drawing. When you machining hole d, please pay attention to coaxiality with reference A.  
Stem nut material: brass H62, bronze H94, ductile iron, D-2 and so on. you can choose it depends on your demand.



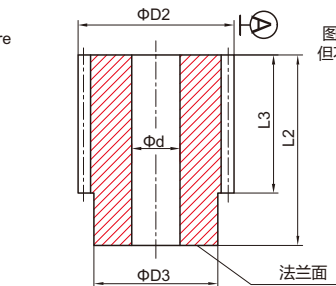
此图型号有  
This chart types are:  
BA-00  
BA-0  
BA-1  
BA-2



图中加工内孔Φd时，客户根据需要更改，但不能超过了dmax尺寸，dmax见第25页。  
Figure in the hole Φd processing, the customer needed to change But can not exceed the Φdmax size, Φdmax see page 21.



此图型号有  
This chart types are:  
BA-3  
BAA-3



图中加工内孔Φd时，客户根据需要更改，但不能超过了dmax尺寸，dmax见第25页。  
Figure in the hole Φd processing, the customer needed to change But can not exceed the Φdmax size, Φdmax see page 21.

尺寸 size	型号 model	BA-000	BA-00	BA-0	BA-1	BA-2	BA-3	BAA-3
d		10	20	25	30	35	45	60
D3		50	57	64	74	94	108	132
D2		50	57	65	78	98	118	147
L4		12	15	15	22	31		
L3		25	25	37	46	55	80	108
L2		46	55	65	78	98	120	145
D4		42	50	58	68	86		



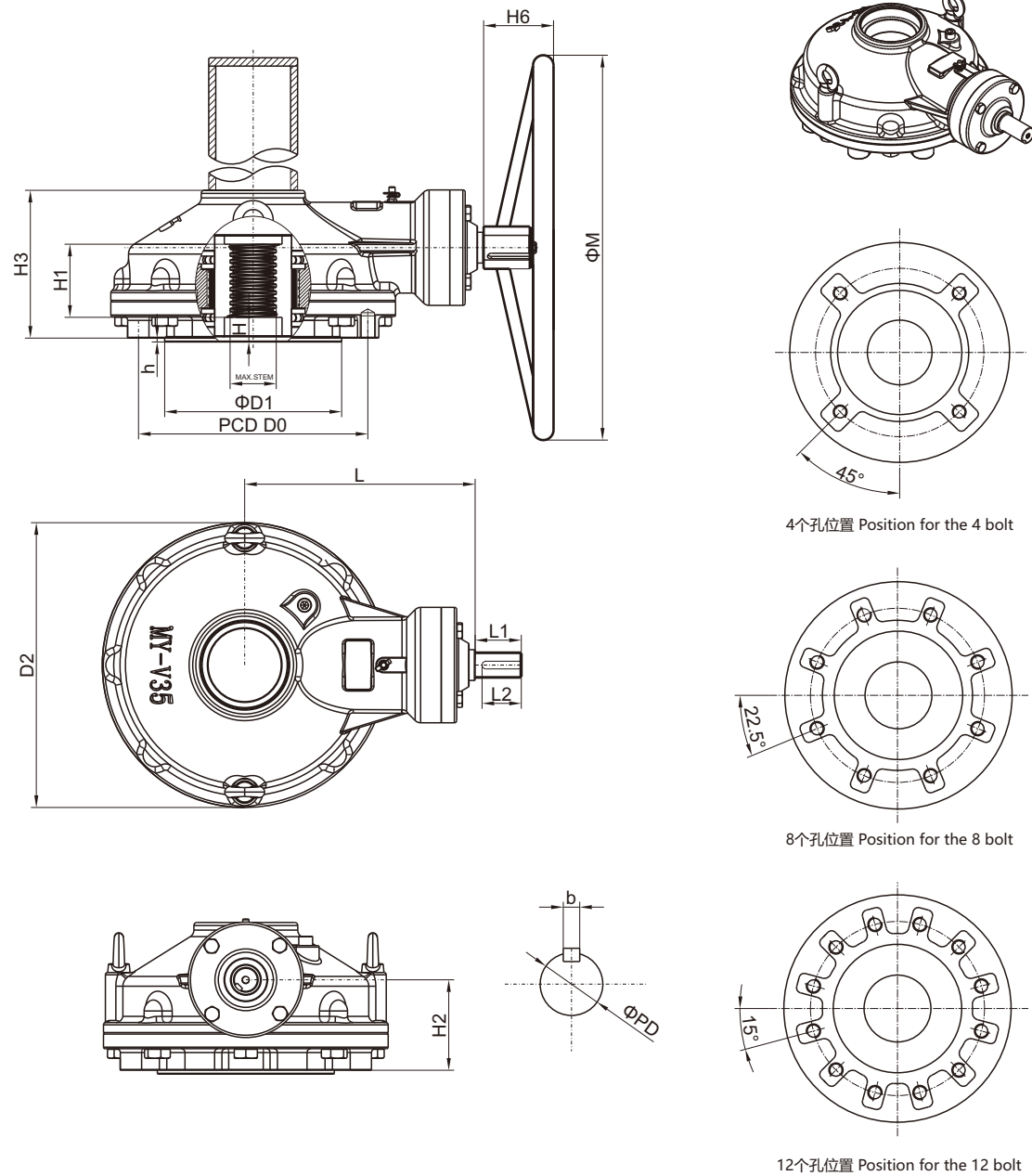
# MY-V-Q

## 多回转型阀门手动装置 MY-V-Q Series Multi-turn gear actuator



该装置是直接安装在闸阀、轨道球阀和截止阀等多回转型阀门上的手动装置，该装置采用弧齿锥齿轮和平面推力轴承组合，内置阀杆螺母采用下装结构，直接与锥齿轮盘连接，上下承受推力和轴向力。有运转平稳、扭矩大、噪音小、效率高的优点。常规产品防护等级为IP65，特殊情况下可做IP67、IP68或者浸没水下使用。手轮和阀杆罩可根据用户需求定制。

The device is a manual device directly installed on multi turn valves such as gate valve, track ball valve and stop valve. The device adopts the combination of spiral bevel gear and plane thrust bearing. The built-in valve stem nut adopts the lower structure, which is directly connected with the bevel gear disc, and bears thrust and axial force up and down. It has the advantages of stable operation, large torque, low noise and high efficiency. The protection grade of conventional products is IP65. Under special circumstances, it can be used as IP68 or submerged underwater. Handwheel and valve stem cover can be customized according to user requirements.



# MY-V-Q

## 多回转型阀门手动装置 MY-V-Q Series Multi-turn gear actuator



型号 Model	MY-V0-Q	MY-V1-Q	MY-V2-Q	MY-V3-Q	MY-V35-Q	MY-V4-Q	MY-V5-Q
----------	---------	---------	---------	---------	----------	---------	---------

### 技术参数 TECHNICAL-PARAMETERS

速比 Ratio		3.1:1	3.6:1	4.1:1	4.1:1	5:1	6:1	6.3:1
最大转矩 Max-torque	N·m	589	932	1491	2296	3404	4000	4500
	KN	123	140	186	215	385	430	560
最大阀杆直径 Max-stem dia. Mm		40	52	60	65	75	95	105

### 连接尺寸 CONNECTION-SIZE

法兰号 FLANGE		F14	F16	F16	F25	F30	F35	F35
法兰外圆 (D)		175	210	210	300	350	415	415
连接孔中心 PCD	D0	140	165	165	254	298	356	356
	N-H-DP	4-M16-24	4-M20-30	4-M20-30	8-M16-24	8-M20-30	8-M30-45	8-M30-45
凸面 Convex (D1×h)		100×4	130×5	130×5	200×5	230×5	260×5	260×5

### 外形尺寸 APPEARANCE-SIZE

D2		175	210	250	300	370	415	475
H		10	10	10	10	16	20	20
H1		60	65	70	75	95	115	130
H2		73	86.5	90	88.5	117.5	160	173
H3		114	135	160	152	192	249	265
L		163	181	200	229	299.5	351	356
手轮 HANDWHEEL	PD	25	25	32	32	32	32	32
	(b)key	8	8	10	10	10	10	10
	L1	45	45	60	60	60	60	60
	L2	41	41	51	51	51	51	51
	H6	46	46	61	61	61	61	61
	M	400	450	600	600	650	700	700

# MY-V

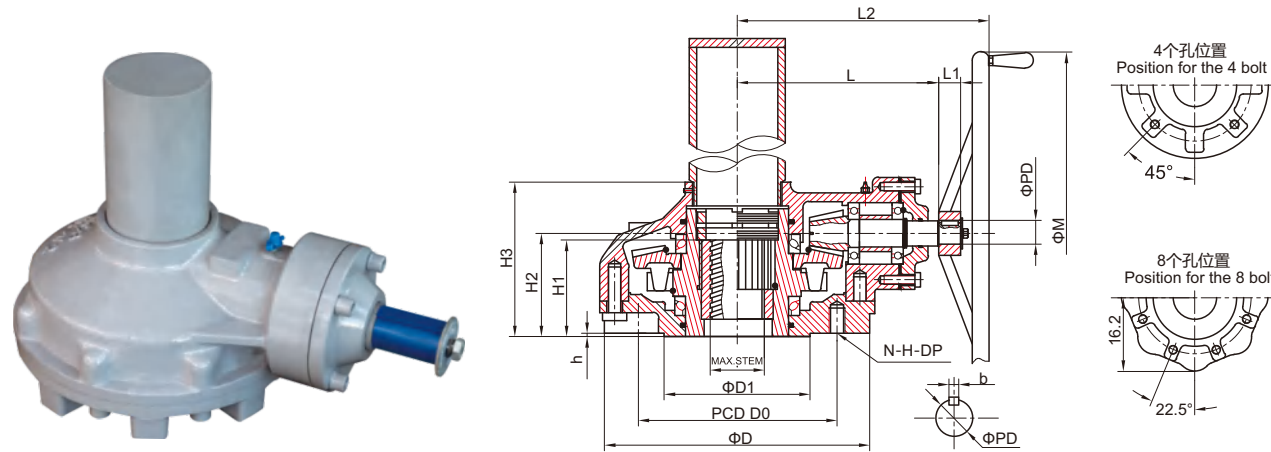
## 多回转型阀门手动装置

MY-V Series Multi-turn manual gear actuator



该装置是直接安装在闸阀、蝶阀、旋塞阀和截止阀等阀门上的手动装置，该装置采用弧齿锥齿轮和平面推力轴承，有运转平稳、扭矩大、噪音小、效率高的优点。在所有的结合部，采用了密封垫全密封处理，达到了防水、防油漏的效果，防护等级为IP65。手轮和阀杆罩可根据用户需求定制。结合各类阀门使用要求及环境，还有单级带电连接、双级带电连接、双级手轮驱动等产品。

This bevel gearbox can be installed directly on the gate valves, butterfly valves, plug valves, globe valves and other valves. By using spiral bevel gears and thrust ball bearing, this series actuator can run smoothly, and has high output torque, low noise and high efficiency. It can avoid from water in and grease out. Protection grade is IP65. For special environment can be done IP68 and immersion. Handwheel and stem cover can be customized. For different valves and requirement, there are single stage gearboxes with input flange, two stage gearboxes with input flange, two stage manual gearboxes and so on.



型号 Model	MY-VS10	MY-VS20	MY-V0	MY-V1	MY-V2	MY-V3	MY-V35	MY-V4	MY-V5	MY-V6
技术参数 TECHNICAL-PARAMETERS										
速比 Ratio	2.3:1	2.35:1	3.1:1	3.6:1	4:1	4.1:1	5:1	6:1	6.3:1	7.1:1
最大转矩 Max-torque	N-m	216	363	589	932	1491	2296	3404	4000	7250
	kgf-M	22	37	60	95	152	234	347	408	740
最大阀杆直径 Max-stem dia. mm	20	25	35	40	52	60	70	90	100	120
参考重量 Weight Kg	10	12	21.5	28	35	50	95.5	160	190	288
连接尺寸 CONNECTION-SIZE										
法兰号 Flange	F10	F12	F14	F16	(F20)	F25	F30	F35	F35	F40
法兰外圆(D)	125	150	175	210	250	300	350	415	415	475
连接孔中心 PCD	D0	102	125	140	165	205	254	298	356	406
	N-H-DP	4-M10-15	4-M12-18	4-M16-24	4-M20-30	8-M16-24	8-M16-24	8-M20-30	8-M30-45	8-M36-54
凸面 Convex (D1×h)	70×3	85×3	100×4	130×4	140×5	200×5	230×5	260×5	260×5	300×8
外形尺寸 APPEARANCE-SIZE										
H1	38	46	55	62	75	85	105	145	145	165
H2	65	70	70	75	90	100	140	160	155	210
H3	110	125	128	145	160	170	225	280	280	335
L	120	135	160	180	200	225	280	353	355	365
L2	215	230	260	320	340	365	420	445	515	565
手轮 handwheel	PD	28	28	28	28	32	32	32	38	50
	(b)key	8×7	8×7	8×7	8×7	10×8	10×8	10×8	10×8	2-16×10
	L1	40	40	40	40	50	50	50	50	55
	M	300	300	300	400	460	460	520	600	600

# MY-V-1S

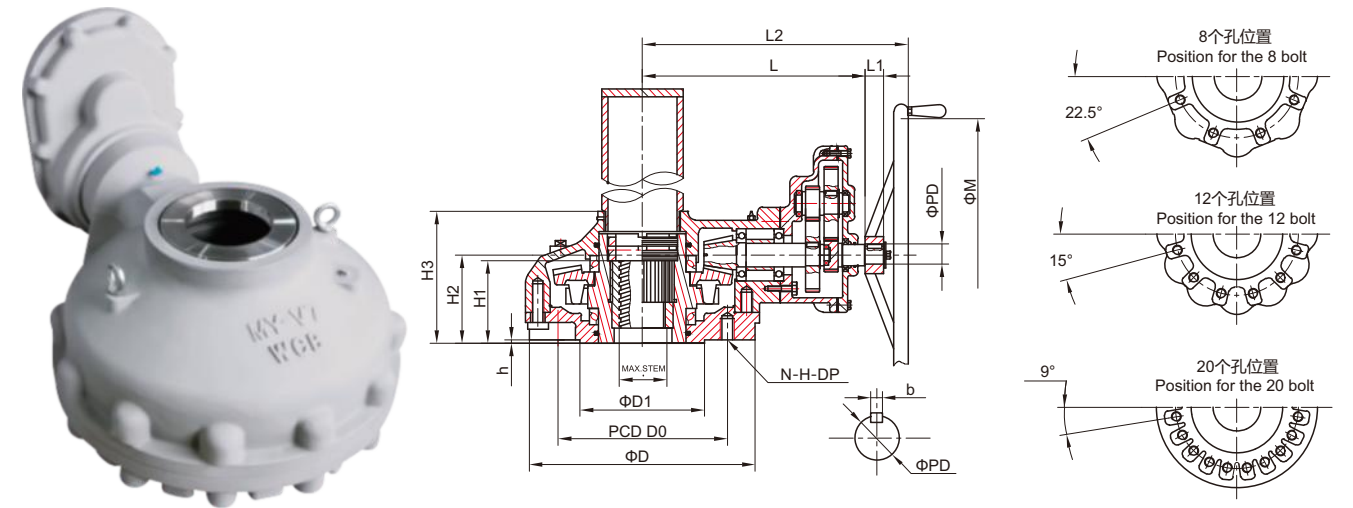
## 多回转型阀门手动装置

MY-V-1S Series Multi-turn manual gear actuator



该装置是直接安装在闸阀、蝶阀、旋塞阀和截止阀等阀门上的手动装置，该装置采用弧齿锥齿轮和平面推力轴承，有运转平稳、扭矩大、噪音小、效率高的优点。在所有的结合部，采用了密封垫全密封处理，达到了防水、防油漏的效果，防护等级为IP65。手轮和阀杆罩可根据用户需求定制。结合各类阀门使用要求及环境，还有单级带电连接、双级带电连接、双级手轮驱动等产品。

This bevel gearbox can be installed directly on the gate valves, butterfly valves, plug valves, globe valves and other valves. By using spiral bevel gears and thrust ball bearing, this series actuator can run smoothly, and has high output torque, low noise and high efficiency. It can avoid from water in and grease out. Protection grade is IP65. For special environment can be done IP68 and immersion. Handwheel and stem cover can be customized. For different valves and requirement, there are single stage gearboxes with input flange, two stage gearboxes with input flange, two stage manual gearboxes and so on.



型号 Model	MY-V2-1S	MY-V3-1S	MY-V35-1S	MY-V4-1S	MY-V5-1S	MY-V6-1S	MY-V7-1S	MY-V8-1S	MY-V9-1S	MY-V10-1S
技术参数 TECHNICAL-PARAMETERS										
速比 Ratio	12.2:1	18.1:1	23:1	42:1	42:1	46:1	94.4:1	115.5:1	126:1	200:1
最大转矩 Max-torque	N-m	2500	3500	4000	6800	8200	14500	18600	26100	100000
	kgf-M	255	357	510	693	836	1479	1897	2662	10204
最大阀杆直径 Max-stem dia. mm	52	60	70	90	100	120	130	150	180	200
参考重量 Weight Kg	52	70	119	180	265	328	470	645	1300	1700
连接尺寸 CONNECTION-SIZE										
法兰号 Flange	(F20)	F25	F30	F35	F35	F40	F48	F60	F60	F80
法兰外圆(D)	250	300	350	415	415	475	560	686	686	900
连接孔中心 PCD	D0	205	254	298	356	356	406	483	603	813
	N-H-DP	8-M16-24	8-M16-24	8-M20-35	8-M30-45	8-M30-45	8-M36-54	12-M36-54	20-M36-54	20-M42-65
凸面 Convex (D1×h)	140×5	200×5	230×5	260×5	260×5	300×8	370×8	470×8	470×8	670×10
外形尺寸 APPEARANCE-SIZE										
H1	75	85	105	120	145	165	195	200	200	200
H2	90	100	140	160	155	210	220	250	330	330
H3	160	170	225	280	280	335	331	346	409	540.5
L	305	330	390	480	480	500	550	610	817	964
L2	445	470	550	595	655	675	750	810	1020	1190
手轮 handwheel	PD	28	28	28	38	38	38	45	45	50
	(b)key	8×7	8×7	8×7	10×8	10×8	10×8	12×8	12×8	14×9
	L1	46	46	46	61	61	61	61	61	61
	M	400	500	600	650	650	780	800	900	1000



# MY-SS

多回转型阀门手动装置  
MY-SS Series Multi-turn gear actuator



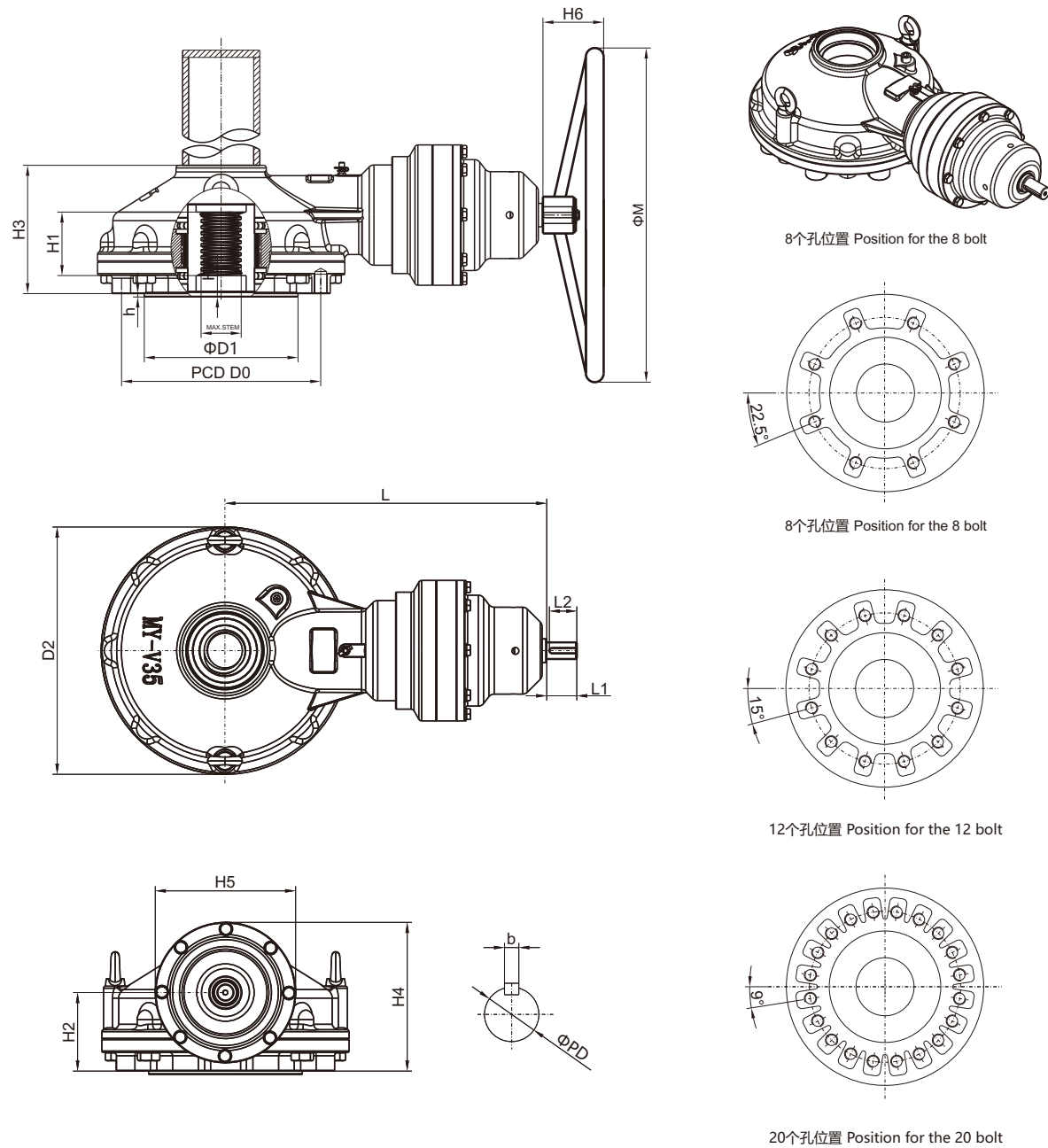
# MY-SS

多回转型阀门手动装置  
MY-SS Series Multi-turn gear actuator



该装置是直接安装在闸阀、轨道球阀和截止阀等多回转型阀门上的手动装置，该装置采用弧齿锥齿轮和平面推力轴承组合，内置阀杆螺母采用下装结构，直接与锥齿轮连接，上下承受推力和轴向力。有运转平稳、扭矩大、噪音小、效率高的优点。常规产品防护等级为IP65，特殊情况下可做IP67、IP68或者浸没水下使用。手轮和阀杆罩可根据用户需求定制。该产品可随意切换两种速比，在开阀和关阀的时候可以使用大速比输出大扭矩启闭阀门，等阀门压力卸去即可使用小速比快速运行阀门。

The device is a manual device directly installed on multi turn valves such as gate valve, track ball valve and stop valve. The device adopts the combination of spiral bevel gear and plane thrust bearing. The built-in valve stem nut adopts the lower structure, which is directly connected with the bevel gear disc, and bears thrust and axial force up and down. It has the advantages of stable operation, large torque, low noise and high efficiency. The protection grade of conventional products is IP65. Under special circumstances, it can be used as IP67/IP68 or submerged underwater. Handwheel and valve stem cover can be customized according to user requirements. The product can switch two speed ratios at will. When opening and closing the valve, you can use a large speed ratio to output a large torque to open and close the valve. When the valve pressure is removed, you can use a small speed ratio to operate the valve quickly.



### 技术参数 TECHNICAL-PARAMETERS

型号 Model	MY-V0-SS	MY-V1-SS	MY-V2-SS	MY-V3-SS	MY-V35-SS	MY-V4-SS	MY-V5-SS	MY-V6-SS	MY-V7-SS	MY-V8-SS	MY-V9-SS	MY-V10-SS	
可选快速速比 Ratio	3:1	3.6:1	4:1	4:1	5:1	5.6:1-25:1	6.3:1-25:1	7:1-46:1	6.5:1-50:1	7:1-56:1	30:1-105:1	30:1-115.5:1	
可选慢速速比 Ratio	12.6:1	15.1:1	17:1	17:1	21.8:1-31.2:1	25:1-90:1	25:1-110:1	46:1-168:1	50:1-298:1	56:1-493:1	105:1-840:1	115.5:1-924:1	
最大转矩 Max-torque	N•m	589	932	1491	3500	4500	6800	8200	14500	23000	38000	65000	100000
	KN	123	140	186	215	385	430	560	2100	3500	4600	6800	8650
最大阀杆直径 Max-stem dia. Mm	40	52	60	65	75	95	105	130	145	160	180	200	

### 连接尺寸 CONNECTION-SIZE

法兰号 FLANGE	F14	F16	F16	F25	F30	F35	F35	F40	F48	F60	F60	F80
法兰外圆 (D)	175	210	210	300	350	415	415	475	560	686	686	900
连接孔中心 PCD	D0	140	165	165	254	298	356	356	406	483	603	800
	N-H-DP	4-M16-24	4-M20-30	4-M20-30	8-M16-24	8-M20-35	8-M30-45	8-M30-45	8-M36-54	12-M36-54	20-M36-54	20-M42-65
凸面Convex (D1×h)	100×4	130×5	130×5	200×5	230×5	260×5	260×5	300×8	370×8	470×8	470×8	650×8

### 外形尺寸 APPEARANCE-SIZE

D2	175	210	250	300	370	415	475	545	560	686	800	934
H	10	10	10	10	16	20	20	20	20	20	10	10
H1	60	65	70	75	95	115	130	170	190	210	220	260
H2	73	86.5	90	88.5	117.5	160	173	205	225	228	233	325.5
H3	114	135	160	152	192	249	265	330	329	343	398	535.5
H4	178	191.5	269	193.5	222.5	301.5	315.5	380	415	418	797	965.5
H5	210	210	190	210	210	285	285	350	350	350	440	560
L	381	399	393	414	418.5	586	591	624.7	866.5	906.5	1027	1104
手轮 handwheel	PD	25	25	25	25	25	25	25	25	25	25	25
	(b)key	8	8	8	8	8	8	8	8	8	8	8
	L1	45	45	45	45	45	45	45	45	45	45	45
	L2	41	41	41	41	41	41	41	41	41	41	41
	H6	46	46	46	46	46	46	46	46	46	46	46
	M	400	500	600	600	700	700	700	700	800	900	1000

# MY-S-Q

多回转型阀门手动装置  
MY-S-Q Series Multi-turn gear actuator



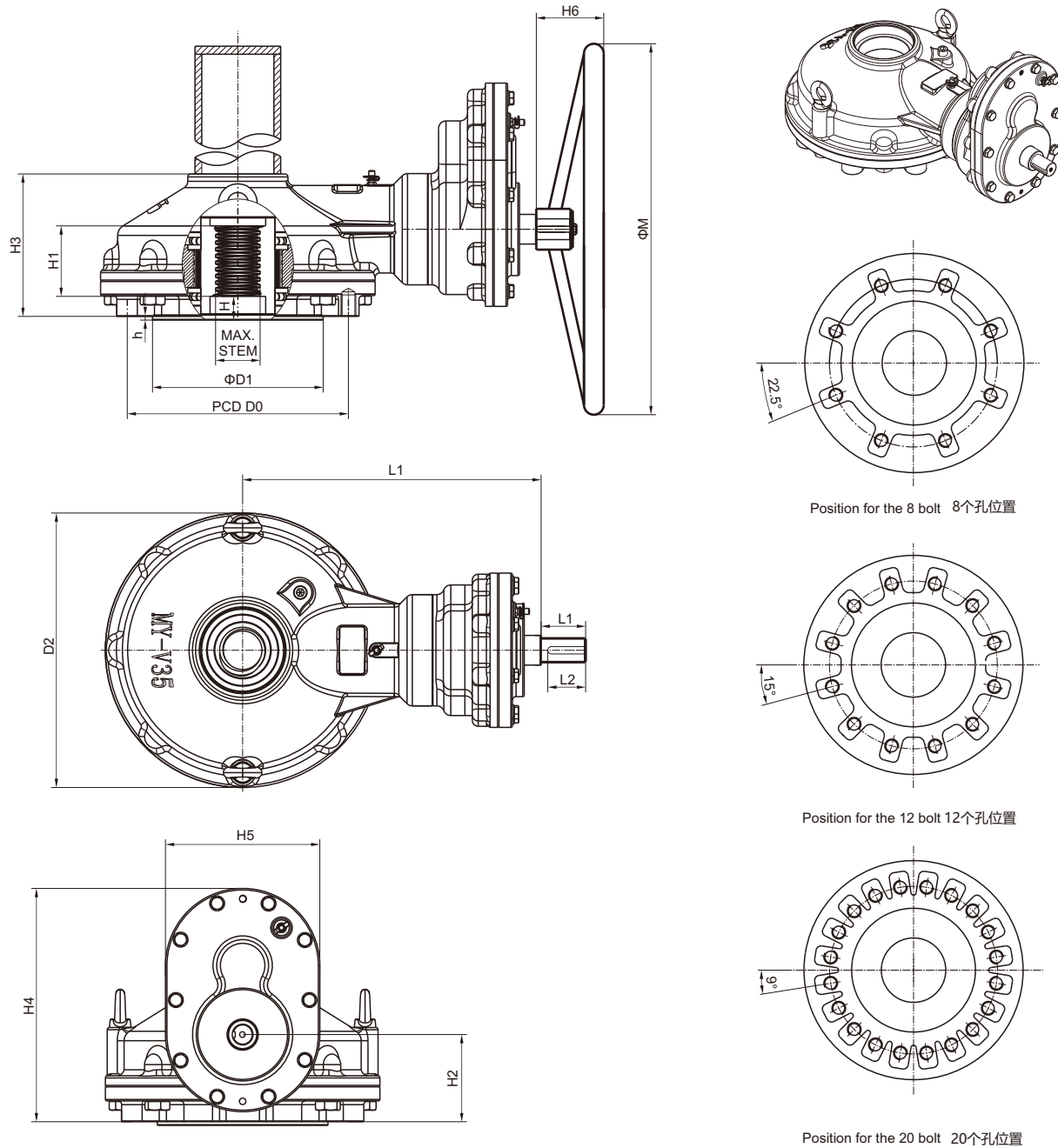
# MY-S-Q

多回转型阀门手动装置  
MY-S-Q Series Multi-turn gear actuator



该装置是直接安装在闸阀、轨道球阀和截止阀等多回转型阀门上的手动装置，该装置采用弧齿锥齿轮和平面推力轴承组合，内置阀杆螺母采用下装结构，直接与锥齿轮盘连接，上下承受推力和轴向力，二级传动采用直齿减速器组合，速比可根据用户需求调整。有运转平稳、扭矩大、噪音小、效率高的优点。常规产品防护等级为IP65，特殊情况下可做IP67、IP68或者浸没水下使用。手轮和阀杆罩可根据用户需求定制。

The device is a manual device directly installed on multi turn valves such as gate valve, track ball valve and stop valve. The device adopts the combination of spiral bevel gear and plane thrust bearing. The built-in valve stem nut adopts the lower structure, which is directly connected with the bevel gear disc, and bears thrust and axial force up and down. The secondary transmission adopts the combination of straight tooth reducer, and the speed ratio can be adjusted according to the needs of users. It has the advantages of stable operation, large torque, low noise and high efficiency. The protection grade of conventional products is IP65. Under special circumstances, it can be used as IP67, IP68 or submerged underwater. Handwheel and valve stem cover can be customized according to user requirements.



型号 Model	MY-V0 -1S-Q	MY-V1 -1S-Q	MY-V2 -1S-Q	MY-V3 -1S-Q	MY-V35 -1S-Q	MY-V4 -1S-Q	MY-V5 -1S-Q	MY-V6 -1S-Q	MY-V7 -1S-Q	MY-V8 -1S-Q	MY-V9 -1S-Q	MY-V10 -1S-Q
----------	----------------	----------------	----------------	----------------	-----------------	----------------	----------------	----------------	----------------	----------------	----------------	-----------------

技术参数 TECHNICAL-PARAMETERS

速比 Ratio	9.72:1	11.6:1	12.96:1	18.1:1	23:1	42:1	42:1	112:1	175:1	189:1	580:1	820:1	
最大转矩 Max-torque	N·m	589	932	2350	3500	4500	6800	8200	14500	23000	38000	65000	100000
	KN	123	140	186	215	385	430	560	2100	3500	4600	6800	8650
最大阀杆直径 Max-stem dia. Mm	40	52	60	65	75	95	105	130	145	160	180	200	

连接尺寸 CONNECTION-SIZE

法兰号 FLANGE	F14	F16	F16	F25	F30	F35	F35	F40	F48	F60	F60	F80
法兰外圆 (D)	175	210	210	300	350	415	415	475	560	686	686	900
连接孔中心 PCD	D0	140	165	165	254	298	356	356	406	483	603	800
	N-H-DP	4-M16-24	4-M20-30	4-M20-30	8-M16-24	8-M20-35	8-M30-45	8-M30-45	8-M36-54	12-M36-54	20-M36-54	20-M42-65
凸面 Convex (D1×h)	100×4	130×5	130×5	200×5	230×5	260×5	260×5	300×8	370×8	470×8	470×8	650×8

外形尺寸 APPEARANCE-SIZE

D2	175	210	250	300	370	415	475	545	560	686	800	934	
H	10	10	10	10	16	20	20	20	20	20	10	10	
H1	60	65	70	75	95	115	130	170	190	210	220	260	
H2	73	86.5	90	88.5	117.5	160	173	205	225	228	233	325.5	
H3	114	135	160	152	192	249	265	330	329	343	398	535.5	
H4	223	236.5	269	267.5	314.5	388	401	433	535	538	797	965.5	
H5	160	160	190	190	208	240	240	240	320	320	440	560	
L	267	285	305	333	402	490	495	515	578.5	618.5	1027	1104	
手轮 HANDWHEEL	PD	25	25	25	25	25	32	38	38	45	45	25	25
	(b)key	8	8	8	8	8	10	10	10	14	14	8	8
	L1	45	45	45	45	45	60	50	50	50	50	45	45
	L2	41	41	41	41	41	51	50	50	50	50	41	41
	H6	46	46	46	46	46	61	61	61	61	61	46	46
	M	400	400	500	500	600	650	650	700	800	900	1000	1000



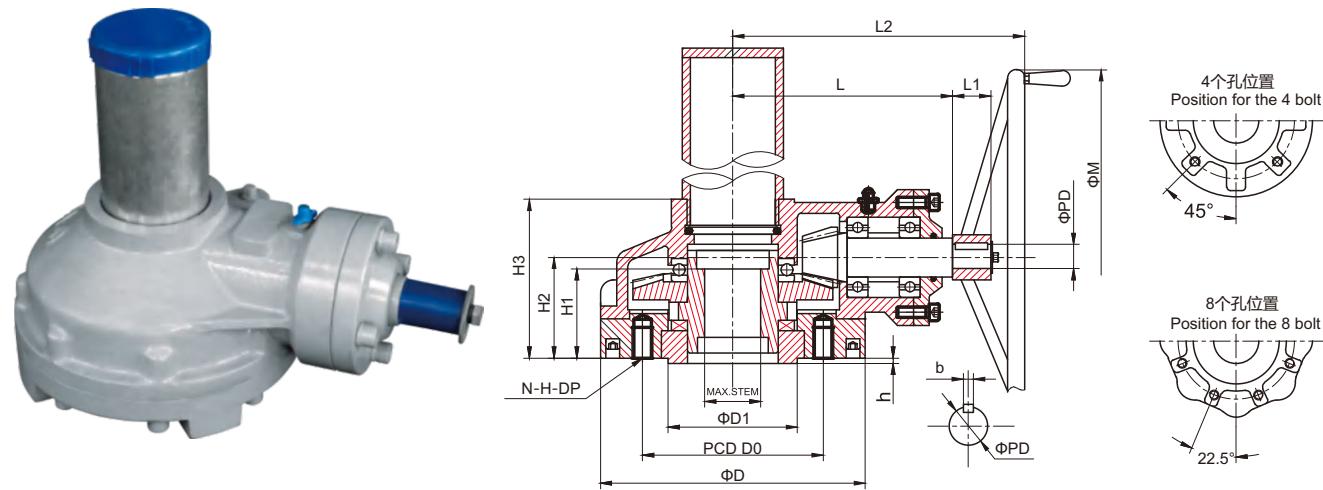
# CK

## 多回转型阀门手动装置 CK Series Multi-turn manual gear actuator



该装置是直接安装在闸阀、蝶阀、旋塞阀和截止阀等阀门上的手动装置，该装置采用弧齿锥齿轮和平面推力轴承，有运转平稳、扭矩大、噪音小、效率高的优点。在所有的结合部，采用了密封垫全密封处理，达到了防水、防油漏的效果，防护等级为IP65。手轮和阀杆罩可根据用户需求定制。结合各类阀门使用要求及环境，还有单级带电连接、双级带电连接、双级手轮驱动等产品。

This bevel gearbox can be installed directly on the gate valves, butterfly valves, plug valves, globe valves and other valves. By using spiral bevel gears and thrust ball bearing, this series actuator can run smoothly, and has high output torque, low noise and high efficiency. It can avoid from water in and grease out. Protection grade is IP65. For special environment can be done IP68 and immersion. Handwheel and stem cover can be customized. For different valves and requirement, there are single stage gearboxes with input flange, two stage gearboxes with input flange, two stage manual gearboxes and so on.



型号 Model	RK03	RK05	RK1	2CK2	2CK3	2CK5	2CK8	2CK10
技术参数 TECHNICAL-PARAMETERS								
速比 Ratio	2.6:1	3:1	3.6:1	4.2:1	4.2:1	5:1	6.3:1	7.1:1
最大推力 Max-thrust	N-m	90000	135000	180000	250000	280000	370000	650000
	kgf-M	9184	13776	18367	25510	28571	37755	66327
最大转矩 Max-torque	N-m	350	550	900	1500	2000	2800	4500
	kgf-M	36	56	92	153	204	286	459
最大阀杆直径 Max-stem dia. mm	42	52	60	70	80	95	110	130
参考重量 Weight Kg	18	25	28	33	48	92.5	190	280
连接尺寸 CONNECTION-SIZE								
法兰号 Flange	F12	F14	F16	(F20)	F25	F30	F35	F40
法兰外圆(D)	150	175	210	250	300	350	415	475
连接孔中心 PCD	D0	125	140	165	205	254	298	356
	N-H-DP	4-M12-18	4-M16-24	4-M20-30	8-M16-24	8-M16-24	8-M20-30	8-M30-45
凸面 Convex (D1×h)	85×3	100×4	130×4	140×5	200×5	230×5	260×5	300×8
外形尺寸 APPEARANCE-SIZE								
H1	45	69	76	89	97	120	150	176
H2	65	69	78	91	94.5	112	140	214
H3	101	114	125	144	158	188	235	338.5
L	152	170	180	202	226	280	355	365
L2	275	350	370	342	366	440	515	675
手轮 handwheel	PD	28	28	28	32	32	38	50
	(b)key	8×7	8×7	8×7	10×8	10×8	10×8	14×9
	L1	46	46	46	61	61	61	61
	M	300	400	500	550	600	700	800

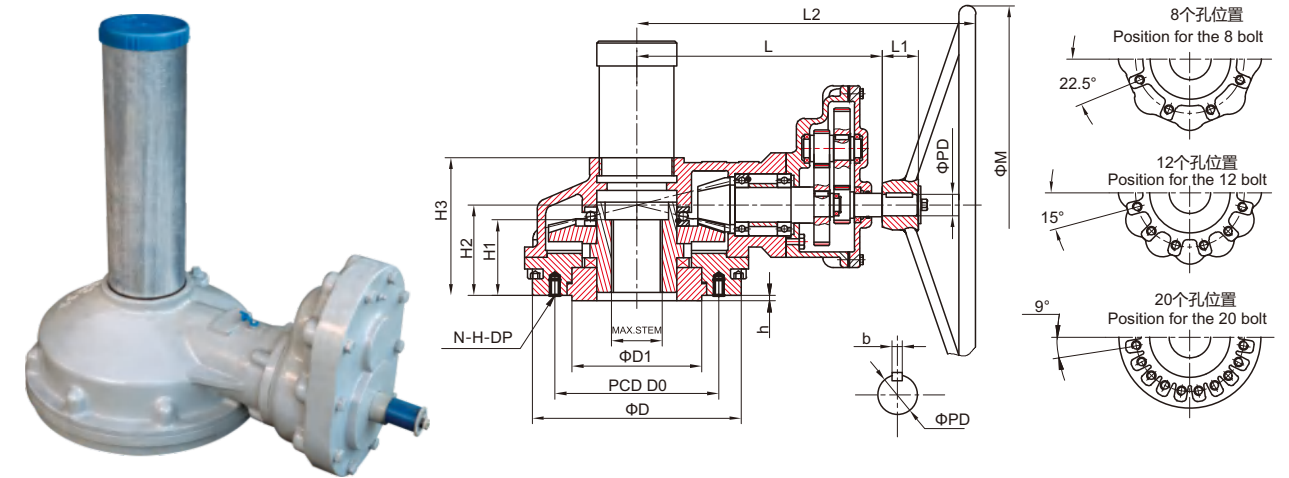
# CK-1S

## 多回转型阀门手动装置 CK-1S Series Multi-turn manual gear actuator



该装置是直接安装在闸阀、蝶阀、旋塞阀和截止阀等阀门上的手动装置，该装置采用弧齿锥齿轮和平面推力轴承，有运转平稳、扭矩大、噪音小、效率高的优点。在所有的结合部，采用了密封垫全密封处理，达到了防水、防油漏的效果，防护等级为IP65。手轮和阀杆罩可根据用户需求定制。结合各类阀门使用要求及环境，还有单级带电连接、双级带电连接、双级手轮驱动等产品。

This bevel gearbox can be installed directly on the gate valves, butterfly valves, plug valves, globe valves and other valves. By using spiral bevel gears and thrust ball bearing, this series actuator can run smoothly, and has high output torque, low noise and high efficiency. It can avoid from water in and grease out. Protection grade is IP65. For special environment can be done IP68 and immersion. Handwheel and stem cover can be customized. For different valves and requirement, there are single stage gearboxes with input flange, two stage gearboxes with input flange, two stage manual gearboxes and so on.



型号 Model	2CK2-1S	2CK3-1S	2CK5-1S	2CK8-1S	2CK10-1S	2CK15-1S	2CK18-1S
技术参数 TECHNICAL-PARAMETERS							
速比 Ratio	13.6:1	17.6:1	22:1	42.5:1	48:1	94.4:1	115.5:1
最大推力 Max-thrust	N-m	290000	400000	500000	800000	1100000	1250000
	kgf-M	29592	408163	510204	81633	112244	127551
最大转矩 Max-torque	N-m	2350	3200	5600	8500	13500	18500
	kgf-M	240	327	398	714	1020	1582
最大阀杆直径 Max-stem dia. mm	70	80	95	110	130	150	160
参考重量 Weight Kg	52	70	115	256	316	470	645
连接尺寸 CONNECTION-SIZE							
法兰号 Flange	(F20)	F25	F30	F35	F40	F48	F60
法兰外圆(D)	250	300	350	415	475	560	686
连接孔中心 PCD	D0	205	254	298	356	483	603
	N-H-DP	8-M16-24	8-M16-24	8-M20-35	8-M30-45	8-M36-54	12-M36-54
凸面 Convex (D1×h)	140×5	200×5	2300×5	260×5	300×8	370×8	470×8
外形尺寸 APPEARANCE-SIZE							
H1	89	97	120	152	176	188	230
H2	91	94.5	112	140	214	227	231
H3	144	158	188	235	338.5	331	346
L	305	330	390	480	500	550	610
L2	400	470	530	640	660	750	810
手轮 handwheel	PD	28	28	32	38	45	45
	(b)key	8×7	8×7	8×7	10×8	10×8	12×8
	L1	46	46	61	61	61	61
	M	500	550	600	700	750	800

# BA-L

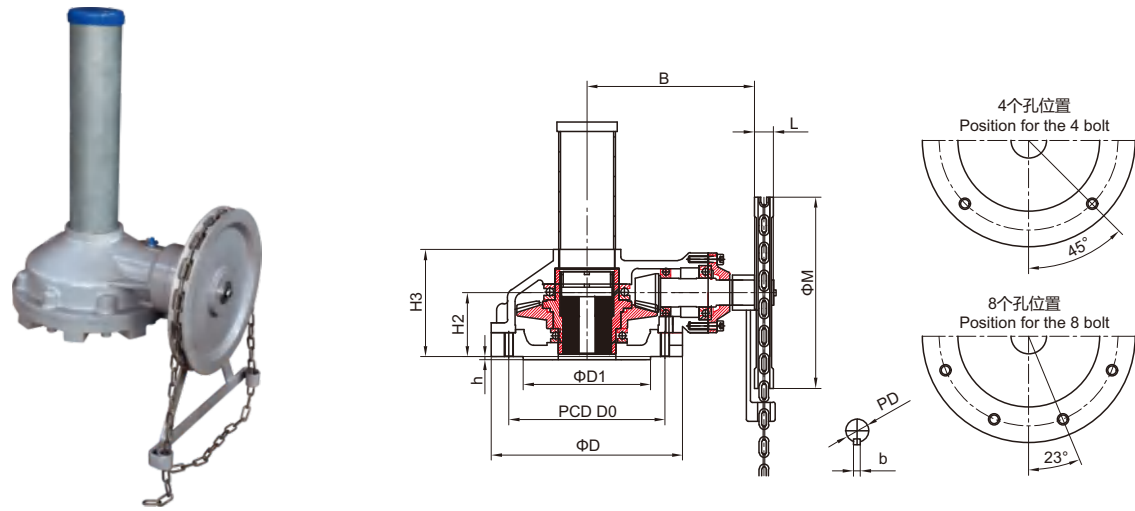
## 多回转型阀门手动装置

BA-L Series Multi-turn manual gear actuator



该装置是直接安装在闸阀、蝶阀、旋塞阀和截止阀等阀门上的手动装置，该装置采用弧齿锥齿轮和平面推力轴承，有运转平稳、扭矩大、噪音小、效率高的优点。在所有的结合部，采用了密封垫全密封处理，达到了防水、防油漏的效果，防护等级为IP65。手轮和阀杆罩可根据用户需求定制。

This bevel gearbox can be installed directly on the gate valves, butterfly valves, plug valves, globe valves and other valves. By using spiral bevel gears and thrust ball bearing, this series actuator can run smoothly, and has high output torque, low noise and high efficiency. It can avoid from water in and grease out. Protection grade is IP65. For special environment can be done IP68 and immersion. Handwheel and stem cover can be customized.



型号 Model	BA-000-L	BA-00-L	BA-0-L	BA-1-L	BA-2-L	BA-3-L	BAA-3-L
技术参数 TECHNICAL-PARAMETERS							
速比 Ratio	2.35:1	3:1	3.6:1	4.5:1	5.2:1	6.3:1	23:1
最大扭矩 Max-torque Nm	360	480	735	1470	2940	4000	6000
最大推力 Max-thrust N	43000	64000	98000	196000	340000	490000	630000
最大阀杆直径Max-stem dia.mm 铜螺母 Copper-nut	25	30	40	52	70	90	110
闸阀 Gate-valve DN	50	80-100	150-200	250-400	450-700	800-1000	1200
截止阀 Globe-valve DN	50	80	100-150	200-250	300-350	400-500	550-650
参考重量 Weight Kg	15	22	28	54	110	198	320
连接尺寸 CONNECTION-SIZE							
法兰号 Flange	F12	F14	F16	F25	F30	F35	F35
法兰外圆(D)	150	175	210	300	350	415	415
连接孔中心 PCD	D0	125	140	165	254	298	356
	N-H-DP	4-M12-18	4-M16-24	4-M20-30	8-M16-24	8-M20-30	8-M30-45
凸面 Convex (D1xh)	85×3	100×4	130×5	200×5	230×5	260×5	260×5
外形尺寸 APPEARANCE-SIZE							
B	150	150	170	233	306	370	395
H2	80	80	85	97	142	160	178
H3	125	125	155	175	210	280	290
链轮 sprocket	PD	28	28	28	32	32	38
	(b)key	8×7	8×7	8×7	10×8	10×8	10×8
	L1	30	30	30	30	30	40
	M	200	200	200	300	400	400

# BA-Z

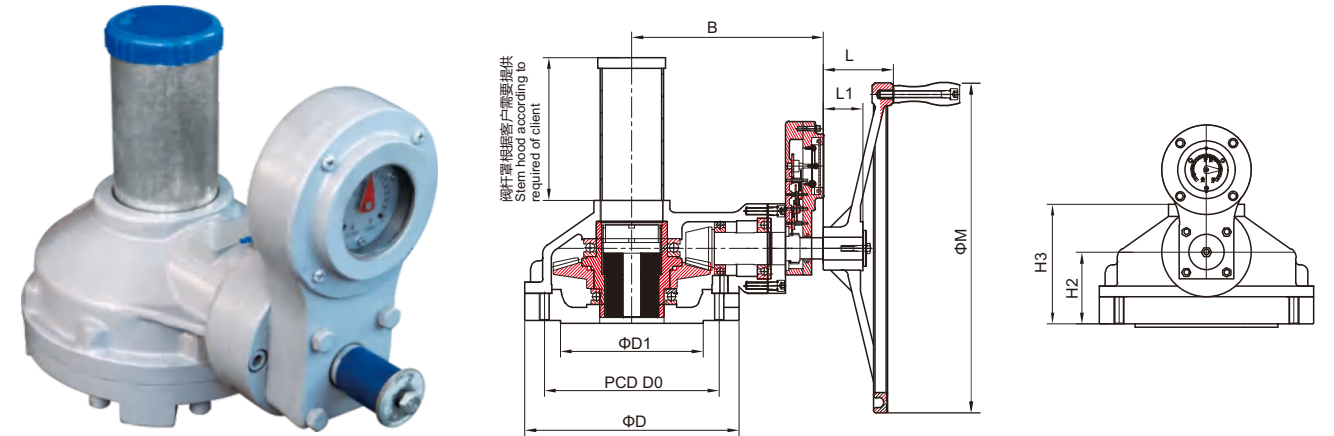
## 多回转型带开度指示阀门手动装置

BA-Z Series Multi-turn gear actuator with indicator



该装置是直接安装在闸阀、蝶阀、旋塞阀和截止阀等阀门上的手动装置，该装置采用弧齿锥齿轮和平面推力轴承，有运转平稳、扭矩大、噪音小、效率高的优点。在所有的结合部，采用了密封垫全密封处理，达到了防水、防油漏的效果，防护等级为IP65。手轮和阀杆罩可根据用户需求定制。

This bevel gearbox can be installed directly on the gate valves, butterfly valves, plug valves, globe valves and other valves. By using spiral bevel gears and thrust ball bearing, this series actuator can run smoothly, and has high output torque, low noise and high efficiency. It can avoid from water in and grease out. Protection grade is IP65. For special environment can be done IP68 and immersion. Handwheel and stem cover can be customized.



型号 Model	BA-000-Z	BA-00-Z	BA-0-Z	BA-1-Z	BA-2-Z	BA-3-Z	BAA-3-Z
技术参数 TECHNICAL-PARAMETERS							
速比 Ratio	2.35:1	3:1	3.6:1	4.5:1	5.2:1	6.3:1	23:1
最大扭矩 Max-torque Nm	360	480	735	1470	2940	4000	6000
最大推力 Max-thrust N	43000	64000	98000	196000	340000	490000	630000
最大阀杆直径Max-stem dia.mm 铜螺母 Copper-nut	25	30	40	52	70	90	110
闸阀 Gate-valve DN	50	80-100	150-200	250-400	450-700	800-1000	1200
截止阀 Globe-valve DN	50	80	100-150	200-250	300-350	400-500	550-650
参考重量 Weight Kg	15	22	28	54	110	198	320
连接尺寸 CONNECTION-SIZE							
法兰号 Flange	F12	F14	F16	F25	F30	F35	F35
法兰外圆(D)	150	175	210	300	350	415	415
连接孔中心 PCD	D0	125	140	165	254	298	356
	N-H-DP	4-M12-18	4-M16-24	4-M20-30	8-M16-24	8-M20-30	8-M30-45
凸面 Convex (D1×h)	85×3	100×4	130×5	200×5	230×5	260×5	260×5
外形尺寸 APPEARANCE-SIZE							
B	205	205	225	290	360	430	455
H2	80	80	85	97	142	160	178
H3	125	125	155	175	210	280	290
L	40	75	92	107	107	118	118
K	155	180	210	285	390	410	510
手轮 handwheel	PD	28	28	28	32	32	38
	(b)key	8×7	8×7	8×7	10×8	10×8	10×8
	L1	40	40	40	50	55	55
	M	300	300	400	460	520	600



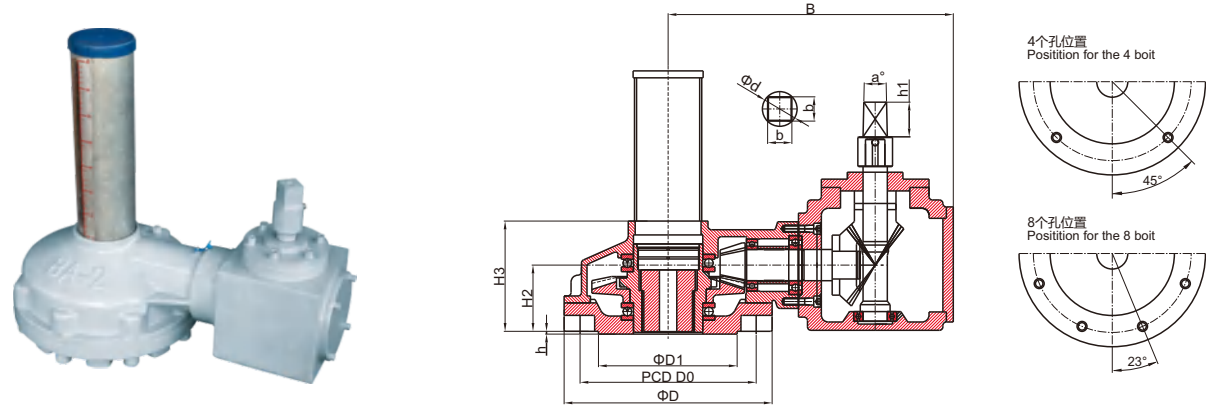
# BA-G

## 多回转型阀门手动装置 BA-G Series Multi-turn manual gear actuator



该装置是直接安装卧式全回转型阀门上的手动装置，该装置采用弧齿锥齿轮和平面推力轴承，有运转平稳、扭矩大、噪音小、效率高的优点。在所有的结合部，采用了密封垫全密封处理，达到了防水、防油漏的效果，防护等级为IP65。手轮和阀杆罩可根据用户需求定制。

This series gearboxes can be installed directly on the horizontal type multi-turn valves. By using spiral bevel gears and thrust ball bearing, this series actuator can run smoothly, and has high output torque, low noise and high efficiency. It can avoid from water in and grease out. Protection grade is IP65. For special environment can be done IP68 and immersion. Handwheel and stem cover can be customized.



型号 Model	BA-00-G	BA-0-G	BA-1-G	BA-2-G	BA-3-G	BAA-3-G
技术参数 TECHNICAL-PARAMETERS						
速比 Ratio	3:1	3.6:1	6.75:1	7.8:1	12.6:1	46:1
最大扭矩 Max-torqueNm	480	735	1470	2940	4000	6000
最大推力 Max-thrustN	64000	98000	196000	340000	490000	630000
最大阀杆直径 Max-stemdia.mm 铜螺母 Copper-nut	30	40	52	70	90	110
闸阀 Gate-valveDN	80-100	150-200	250-400	450-700	800-1000	1200
截止阀 Globe-valveDN	80	100-150	200-250	300-350	400-500	550-650
参考 WeightKg	22	28	54	110	198	320
连接尺寸 CONNECTION-SIZE						
法兰号 Flange	F14	F16	F25	F30	F35	F35
法兰外圆(D)	175	210	300	350	415	415
连接孔中心PCD	D0	140	165	254	298	356
	N-H-DP	4-M16-24	4-M20-30	8-M16-24	8-M20-30	8-M30-45
凸面 Convex (D1×h)	100x4	130x5	200x5	230x5	260x5	260x5
外形尺寸 APPEARANCE-SIZE						
B	270	288	411	478	553	685
H2	80	85	97	142	160	178
H3	125	155	175	210	280	290
h1	50	50	50	50	50	50
b	35	35	35	35	35	35
Φd	50	50	50	50	50	50
a	4	4	4	4	4	4

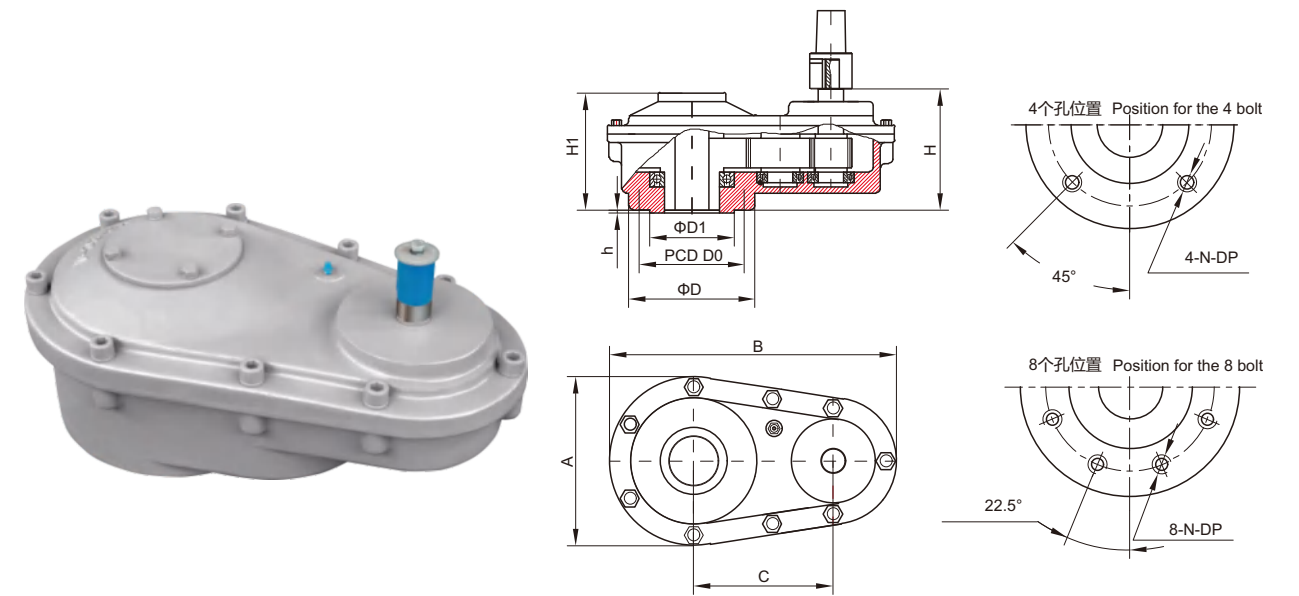
# YZ-ZC

## 多回转型阀门手动装置 YZ-ZC Series Multi-turn manual gear actuator



该系列是一款360°全回转型手动驱动装置。适用于闸阀，蝶阀，旋塞阀，截止阀，三通球阀等阀门。箱体采用精密铸造，样式新颖，外形美观。直齿轮传动，使用推力轴承和深沟球轴承结合，传动更加灵活，效率高。齿轮与阀门阀杆连接部分有实体和内置螺母两款供客户选择，法兰全部ISO5211国际标准和JB2920-81标准，与阀门配套更加方便。防护等级为IP65。特殊环境还可做到IP68以及浸没模式。

This series gearboxes are 360 degree multi-turn manual operator. Used in gate valves, butterfly valves, plug valves, globe valves, three-way ball valves and other valves. The housing made by precise casting, new design, nice appearance. Using by spur gear transmission, combination of thrust bearing and deep groove ball bearing, this series actuator can run smoothly, and has high output torque, low noise and high efficiency. Two connection types for choose: stem and key connection and removable nut type. Can produce based type gearboxes used in damper valves. The output mounting flange adapts to ISO 5211. So the gearboxes installed on the valve are very convenient. Input flange adapts to ISO 5211, JB2920-81 etc. General products protection grade is IP65. For special environment can be done IP68 and immersion.



型号 Model	YZ-ZC-1	YZ-ZC-2	YZ-ZC-3	YZ-ZC-4	YZ-ZC-5	YZ-ZC-6	YZ-ZC-7
技术参数 TECHNICAL-PARAMETERS							
标准速比 Standard Ratio	3:1	6:1	9:1	12:1	14:1	21:1	24:1
可选速比 Optional ratio	2.5:1	3:1	4:1/6:1	6:1/9:1	6:1/10:1	9:1/15:1	10:1/20:1
输入扭矩 Input torque N.m	180	280	320	320	320	320	320
输出扭矩 Output torque N.m	459	1428	2448	3264	3808	5712	6528
机械效率 Mechanical efficiency M.A.±10%	0.85	0.85	0.85	0.85	0.85	0.85	0.85
连接尺寸 CONNECTION-SIZE							
法兰号 Flange	F12	F14	F16	F25	F30	F35/F40	F48/F40
法兰外圆(D)	150	175	210	300	350	415	560
连接孔中心PCD	D0	125	140	165	254	298	483
	N-H-DP	4-M12-18	4-M16-24	4-M20-30	8-M16-30	8-M20-30	12-M36-54
凸面 Convex (D1×h)	85×3	100×3	130×4	200×5	230×5	260×5	370×8
最大阀杆 Max-Stem-Diameter (Φd) mm	38 10×8	50 14×9	60 18×11	70 20×12	80 22×14	100 28×16	100 32×18
外形尺寸 APPEARANCE-SIZE							
A	200	225	280	380	440	560	795
B	340	375	460	645	785	920	1275
C	165	190	235	318	395	450	680
H	150	195	210	246	248	290	500
H1	138	185	195	226	235	255	430
ΦM	250	300	350	450	500	600	800

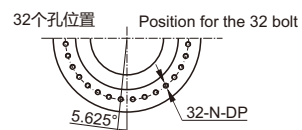
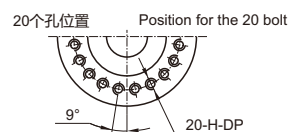
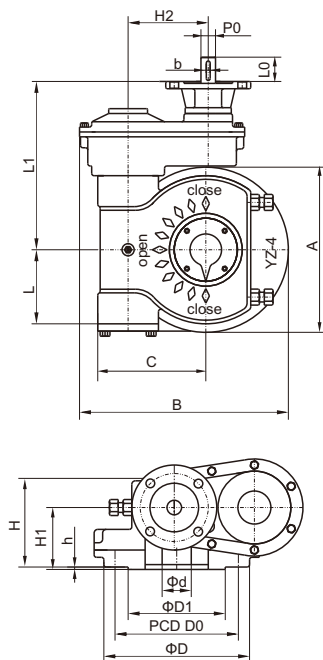
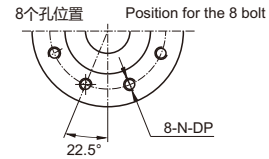
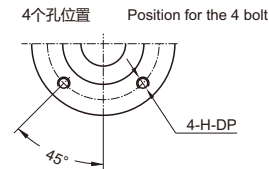
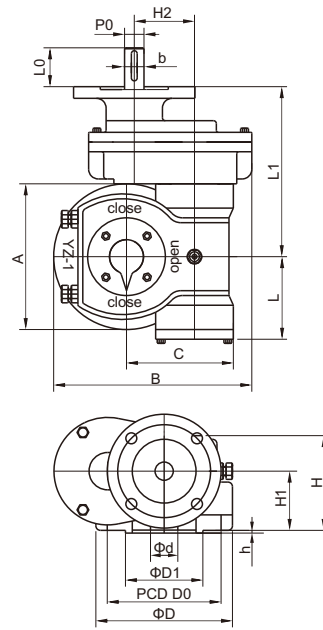
# YZ-SD

部分回转型阀门电动装置  
YZ-SD Series Quarter turn electric gear actuator



该系列是一款90°部分回转电动驱动装置。适用于球阀、蝶阀、旋塞阀、旋球阀等阀门。箱体采用精密铸造，样式新颖，外形美观。采用蜗轮蜗杆传动，蜗轮副自锁，使用圆锥滚子轴承，传动更加灵活，效率高。蜗轮材质可根据阀门开启次数以及电装转速选择(ASTM A536 65-45-12, QA15, D2)等材料，蜗轮与阀门阀杆连接部分有实体和内置螺母两款供客户选择，法兰全部采用ISO5211国际标准，与阀门配套更加方便。还可根据客户需求订做基座式连接，便于风门使用。与电装对接部分可选择ISO5211, JB2920-81等连接形式。防护等级为IP65, 特殊环境还可做到IP68。

This series of products is quarter turn electric gear actuator. Suit to be used in ball valves, butterfly valves, plug valves, rotary ball valves etc. The housing made by precise casting, new design, nice appearance. It transmitted by worm gear and worm. The worm gear with self-locking. With tapered roller bearing, so the gearboxes can be operated more flexibly and have higher efficiency. Worm gear material choose ductile iron, aluminum bronze or D2, according to open times and electric actuator speed. Two connection types for choose: stem and key connection and removable nut type. Can produce based type gearboxes used in damper valves. The output mounting flange adapts to ISO 5211. So the gearboxes installed on the valve are very convenient. Input flange adapts to ISO 5211, JB2920-81 etc. General products protection grade is IP65. For special environment can be done IP68 and immersion.



# YZ-SD

部分回转型阀门电动装置  
YZ-SD Series Quarter turn electric gear actuator



型号 Model	YZ-1 -SD	YZ-2 -SD	YZ-2J -SD	YZ-3 -SD	YZ-3J -SD	YZ-4 -SD	YZ-4J -SD	YZ-5 -SD	YZ-5J -SD	YZ-6 -SD	YZ-6J -SD	YZ-7 -SD	YZ-7X -SD	YZ-7J -SD	YZ-8 -SD	YZ-8J -SD	YZ-9 -SD	YZ-9J -SD	YZ-10 -SD	YZ-11 -SD	YZ-12 -SD
-------------	-------------	-------------	--------------	-------------	--------------	-------------	--------------	-------------	--------------	-------------	--------------	-------------	--------------	--------------	-------------	--------------	-------------	--------------	--------------	--------------	--------------

连接尺寸 CONNECTION-SIZE

法兰号 Flange	F12	F14	F16	F16	F20	F25	F30	F30	F35	F35	F40	F40	F48	F48	F48	F60	F60	F60	F80	F100	F100	
法兰外圆(D)	150	175	210	210	250	300	350	350	415	415	475	475	560	560	560	686	686	686	900	1200	1200	
连接孔中心 PCD	D0	125	140	165	165	205	254	298	298	356	356	406	406	483	483	483	603	603	603	813	1042	1042
	N-H-DP	4-M12 -18	4-M16 -20	4-M20 -30	4-M20 -30	8-M16 -24	8-M16 -24	8-M20 -30	8-M20 -30	8-M30 -45	8-M30 -40	8-M36 -54	8-M36 -54	12-M36 -54	12-M36 -54	12-M36 -54	20-M36 -54	20-M36 -54	20-M36 -54	20-M42 -54	32-M42 -54	32-M42 -54
凸面 Convex (D1×h)	85×3	100×4	130×5	130×5	140×5	200×5	230×5	230×5	260×5	260×5	300×8	300×8	370×8	370×8	370×8	470×8	470×8	470×8	470×8	670×10	870×10	10870×10
最大阀杆 mm (Φd) Max-Stem	42 12×8	50 14×9	60 18×11	60 18×11	75 22×14	90 25×14	110 28×16	110 28×16	120 32×18	120 32×18	145 40×22	160 42×22	170 45×25	180 45×25	180 45×25	210 50×28	220 50×28	270 63×32	300 70×36	380 80×40	420 90×45	

外形尺寸 APPEARANCE-SIZE

	A	B	C	L	L1	H	H1
A	150	175	210	225	300	340	350
B	204	226	245	300	331	430	418
C	110	120	140	125	186	222	243
L	85	95	115	122	148	167	185
L1	175	185	275	280	350	346	407
H	105	114	132	154	185	185	190
H1	68	78	93	106	105	127	120



# YZ-SD

## 部分回转型阀门电动装置

YZ-SD Series Quarter turn electric gear actuator



### YOYAGE

耀远

# YZ-SD

## 部分回转型阀门电动装置

YZ-SD Series Quarter turn electric gear actuator



### YOYAGE

耀远

型号 Model	减速比 Reduction ratio	输出力矩 Output torque N.m	输入力矩 Input torque N.m	与阀门连接法兰 Output Flange		与执行器连接法兰 Input Flange		输入法兰 Input Flange
				标准输出法兰 Standard output flange	可选输出法兰 Optional output flange	输入法兰 Input Flange	输入轴 Input axis	
YZ-0-SD	51:1	500Nm	41Nm	F10	F07	F10	Φ20×6×40	Z10
	60:1		35Nm	F10	F07	F10	Φ20×6×40	Z10
YZ-1-SD	66:1	1200Nm	80Nm	F12	F10	F10	Φ20×6×40	Z10
	80:1		68Nm	F12	F10	F10	Φ20×6×40	Z10
YZ-2-SD	92:1	1600Nm	60Nm	F12	F10	F10	Φ20×6×40	Z10
	66:1		108Nm	F14	F12	F10	Φ20×6×40	Z10
YZ-2J-SD	80:1	3000Nm	100Nm	F14	F12	F10	Φ20×6×40	Z10
	92:1		80Nm	F14	F12	F10	Φ20×6×40	Z10
YZ-2J-SD	70:1	3000Nm	150Nm	F16	F14	F14	Φ30×8×50	Z20
	110:1		100Nm	F16	F14	F10	Φ20×6×40	Z10
YZ-2J-SD	140:1	3000Nm	80Nm	F16	F14	F10	Φ20×6×40	Z10
	180:1		60Nm	F16	F14	F10	Φ20×6×40	Z10
YZ-2J-SD	260:1	3000Nm	41Nm	F16	F14	F10	Φ20×6×40	Z10
	340:1		34Nm	F16	F14	F10	Φ20×6×40	Z10
YZ-3-SD	110:1	4500Nm	146Nm	F16	F14	F14	Φ30×8×50	Z20
	130:1		125Nm	F16	F14	F14	Φ30×8×50	Z20
YZ-3-SD	200:1	4500Nm	80Nm	F16	F14	F10	Φ20×6×40	Z10
	280:1		60Nm	F16	F14	F10	Φ20×6×40	Z10
YZ-3-SD	340:1	4500Nm	50Nm	F16	F14	F10	Φ20×6×40	Z10
	130:1		200Nm	F20	F16/F25	F14	Φ30×8×50	Z30
YZ-3J-SD	190:1	7500Nm	142Nm	F20	F16/F25	F14	Φ30×8×50	Z20
	220:1		120Nm	F20	F16/F25	F10	Φ20×6×40	Z20
YZ-3J-SD	250:1	7500Nm	108Nm	F20	F16/F25	F10	Φ20×6×40	Z20
	340:1		80Nm	F20	F16/F25	F10	Φ20×6×40	Z10
YZ-3J-SD	450:1	7500Nm	60Nm	F20	F16/F25	F10	Φ20×6×40	Z10
	165:1		300Nm	F25	F16/F30	F16	Φ30×8×50	Z45
YZ-4-SD	180:1	12000Nm	250Nm	F25	F16/F30	F14	Φ30×8×50	Z30
	210:1		203Nm	F25	F16/F30	F14	Φ30×8×50	Z30
YZ-4-SD	360:1	12000Nm	120Nm	F25	F16/F30	F16	Φ30×8×50	Z60
	495:1		100Nm	F25	F16/F30	F14	Φ30×8×50	Z30
YZ-4J-SD	150:1	16500Nm	400Nm	F30	F25/F35	F16	Φ40×12×60	Z45
	195:1		300Nm	F30	F25/F35	F14	Φ30×8×50	Z30
YZ-4J-SD	235:1	16500Nm	250Nm	F30	F25/F35	F14	Φ30×8×50	Z30
	260:1		230Nm	F30	F25/F35	F14	Φ30×8×50	Z30
YZ-4J-SD	290:1	16500Nm	203Nm	F30	F25/F35	F14	Φ30×8×50	Z30
	490:1		120Nm	F30	F25/F35	F10	Φ20×6×40	Z20
YZ-5-SD	220:1	23000Nm	400Nm	F30	F25/F35	F16	Φ40×12×60	Z45
	270:1		300Nm	F30	F25/F35	F14	Φ30×8×50	Z30
YZ-5-SD	330:1	23000Nm	250Nm	F30	F25/F35	F14	Φ30×8×50	Z30
	360:1		230Nm	F30	F25/F35	F14	Φ30×8×50	Z30
YZ-5-SD	405:1	23000Nm	203Nm	F30	F25/F35	F14	Φ30×8×50	Z20
	740:1		120Nm	F30	F25/F35	F14	Φ30×8×50	Z20
YZ-5J-SD	250:1	28000Nm	400Nm	F35	F30/F40	F16	Φ40×12×60	Z45
	270:1		366Nm	F35	F30/F40	F14	Φ30×8×50	Z30
YZ-5J-SD	335:1	28000Nm	300Nm	F35	F30/F40	F14	Φ30×8×50	Z30
	400:1		250Nm	F35	F30/F40	F14	Φ30×8×50	Z30
YZ-5J-SD	490:1	28000Nm	203Nm	F35	F30/F40	F14	Φ30×8×50	Z20
	895:1		120Nm	F35	F30/F40	F10	Φ20×6×40	Z20
YZ-6-SD	220:1	32000Nm	542Nm	F35	F30/F40	F16	Φ40×12×60	Z60
	230:1		500Nm	F35	F30/F40	F16	Φ40×12×60	Z60
YZ-6-SD	250:1	32000Nm	450Nm	F35	F30/F40	F16	Φ40×12×60	Z45
	380:1		300Nm	F35	F30/F40	F14	Φ30×8×50	Z30
YZ-6-SD	460:1	32000Nm	250Nm	F35	F30/F40	F14	Φ30×8×50	Z30
	560:1		203Nm	F35	F30/F40	F14	Φ30×8×50	Z20
YZ-6-SD	700:1	32000Nm	176Nm	F35	F30/F40	F14	Φ30×8×50	Z20
	250:1		680Nm	F40	F30/F35	F16	Φ40×12×60	Z60
YZ-6J-SD	340:1	48000Nm	500Nm	F40	F30/F35	F16	Φ40×12×60	Z60
	380:1		450Nm	F40	F30/F35	F14	Φ30×8×50	Z45
YZ-6J-SD	470:1	48000Nm	366Nm	F40	F30/F35	F14	Φ30×8×50	Z45
	570:1		300Nm	F40	F30/F35	F14	Φ30×8×50	Z30
YZ-6J-SD	740:1	48000Nm	250Nm	F40	F30/F35	F14	Φ30×8×50	Z30
	910:1		203Nm	F40	F30/F35	F14	Φ30×8×50	Z30
YZ-7-SD	270:1	63000Nm	900Nm	F40	F30/F35	F16	Φ40×12×60	Z90
	400:1		600Nm	F40	F30/F35	F16	Φ40×12×60	Z60
YZ-7-SD	480:1	63000Nm	500Nm	F40	F30/F35	F14	Φ30×8×50	Z60
	540:1		450Nm	F40	F30/F35	F14	Φ30×8×50	Z45
YZ-7-SD	810:1	63000Nm	300Nm	F40	F30/F35	F14	Φ30×8×50	Z30
	980:1		250Nm	F40	F30/F35	F14	Φ30×8×50	Z30
YZ-7X-SD	340:1	80000Nm	900Nm	F48	F35/F40	F16	Φ40×12×60	Z90
	410:1		745Nm	F48	F35/F40	F16	Φ40×12×60	Z90
YZ-7X-SD	510:1	80000Nm	600Nm	F48	F35/F40	F16	Φ40×12×60	Z60
	610:1		500Nm	F48	F35/F40	F14	Φ30×8×50	Z60
YZ-7X-SD	680:1	80000Nm	450Nm	F48	F35/F40	F14	Φ30×8×50	Z45
	1020:1		300Nm	F48	F35/F40	F14	Φ30×8×50	Z30

型号 Model	减速比 Reduction ratio	输出力矩 Output torque N.m	输入力矩 Input torque N.m	与阀门连接法兰 Output Flange		与执行器连接法兰 Input Flange		输入法兰 Input Flange
				标准输出法兰 Standard output flange	可选输出法兰 Optional output flange	输入法兰 Input Flange	输入轴 Input axis	
YZ-7J-SD	320:1	10000Nm	1200Nm	F48	F35/F40	F25	Φ50×14×80	Z120
	370:1		1020Nm	F48	F35/F40	F25	Φ50×14×80	Z120
YZ-7J-SD	430:1	10000Nm	900Nm	F48	F35/F40	F16	Φ40×12×60	Z90
	640:1		600Nm	F48	F35/F40	F16	Φ40×12×60	Z60
YZ-7J-SD	770:1	10000Nm	500Nm	F48	F35/F40	F14	Φ30×8×50	Z60
	860:1		450Nm	F48	F35/F40	F14	Φ30×8×50	Z45
YZ-8-SD	300:1	14000Nm	1800Nm	F48	F40/F60	F30	Φ60×18×90	Z180
	395:1		1355Nm	F48	F40/F60	F25	Φ50×14×80	Z180
YZ-8-SD	450:1	14000Nm	1200Nm	F48	F40/F60	F25	Φ50×14×80	Z120
	640:1		845Nm	F48	F40/F60	F16	Φ40×12×60	Z90
YZ-8-SD	790:1	14000Nm	680Nm	F48	F40/F60	F16	Φ40×12×60	Z90
	890:1		600Nm	F48	F40/F60	F16	Φ40×12×60	Z60
YZ-8-SD	990:1	14000Nm	542Nm	F48	F40/F60	F16	Φ40×12×60	Z60
	1355:1		400Nm	F60	F40/F48	F25	Φ50×14×80	Z120
YZ-8J-SD	610:1	19000Nm	1200Nm	F60	F40/F48	F25	Φ50×14×80	Z120
	715:1		1020Nm	F60	F40/F48	F25	Φ50×14×80	Z120
YZ-8J-SD	815:1	19000Nm	900Nm	F60	F40/F48	F16	Φ40×12×60	Z90
	980:1		745Nm	F60	F40/F48	F16	Φ40×12×60	Z90
YZ-8J-SD	1075:1	19000Nm	680Nm	F60	F40/F48	F16	Φ40×12×60	Z90
	1260:1		600Nm	F60	F40/F48	F16	Φ40×12×60	Z60
YZ-8J-SD	1520:1	19000Nm	500Nm	F60	F40/F48	F14	Φ30×8×50	Z60
	1680:1		450Nm	F60	F40/F48	F14	Φ30×8×50	Z45
YZ-9-SD	1900:1	25000Nm	400Nm	F60	F40/F48	F14	Φ30×8×50	Z45
	385:1		2500Nm	F60	F40/F48	F30	Φ60×18×90	Z250
YZ-9-SD	535:1	25000Nm	1800Nm	F60	F40/F48	F30	Φ60×18×90	Z180
	565:1		1700Nm	F60	F40/F48	F30	Φ60×18×90	Z180
YZ-9-SD	710:1	25000Nm	1355Nm	F60	F40/F48	F25	Φ50×14×80	Z180
	800:1		1200Nm	F60	F40/F48	F25	Φ50×14×80	Z120
YZ-9-SD	940:1	25000Nm	1020Nm	F60	F40/F48	F25	Φ50×14×80	Z120
	1110:1		900Nm	F60	F40/F48	F16	Φ40×12×60	Z90
YZ-9-SD	1250:1	25000Nm	800Nm	F60	F40/F48	F25	Φ50×14×80	Z90
	2000:1		500Nm	F60	F40/F48	F14	Φ30×8×50	Z60
YZ-9-SD	2500:1	25000Nm	400Nm	F60	F40/F48	F14	Φ30×8×50	Z45
	540:1		2500Nm	F60	F80	F30	Φ60×18×90	Z250
YZ-9J-SD	750:1	35000Nm	1800Nm	F60	F80	F30	Φ60×18×90	Z180
	790:1		1700Nm	F60	F80	F30	Φ60×18×90	Z180
YZ-9J-SD	995:1	35000Nm	1355Nm	F60	F80	F25	Φ50×14×80	Z180
	1120:1		1200Nm	F60	F80	F25	Φ50×14×80	Z120
YZ-9J-SD	1320:1	35000Nm	1020Nm	F60	F80	F25	Φ50×14×80	Z120
	1495:1		900Nm	F60	F80	F16	Φ40×12×60	Z90
YZ-9J-SD	1680:1	35000Nm	800Nm	F60	F80	F25	Φ50×14×80	Z90
	2800:1		500Nm	F60	F80	F14	Φ30×8×50	Z60
YZ-9J-SD	3500:1	35000Nm	400Nm	F60	F80	F14	Φ30×8×50	Z45
	515:1		3500Nm	F80	F48/F60	F30	Φ60×18×90	Z350
YZ-10-SD	575:1	45000Nm	3000Nm	F80	F48/F60	F30	Φ60×18×90	Z350
	690:1		2500Nm	F80	F48/F60	F30	Φ60×18×90	Z250
YZ-10-SD	850:1	45000Nm	2030Nm	F80	F48/F60	F30	Φ60×18×90	Z250
	960:1		1800Nm	F80	F48/F60	F30	Φ60×18×90	Z180
YZ-10-SD	1020:1	45000Nm	1700Nm	F80	F48/F60	F30	Φ60×18×90	Z180
	1280:1		1355Nm	F80	F48/F60	F25	Φ50×14×80	Z180
YZ-10-SD	1500:1	45000Nm	1200Nm	F80	F48/F60	F25	Φ50×14	

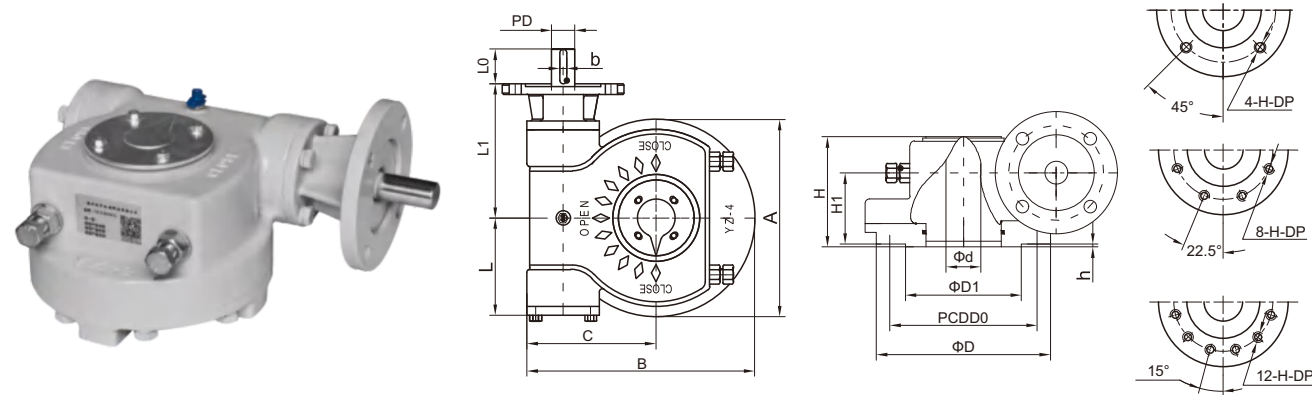
# YZ-D

## 部分回转型阀门电动装置 YZ-D Series Quarter turn electric gear actuator



该系列是一款90°部分回转电动驱动装置。适用于球阀、蝶阀、旋塞阀、旋球阀等阀门。箱体采用精密铸造，样式新颖，外形美观。采用蜗轮蜗杆传动，蜗轮副自锁，使用圆锥滚子轴承，传动更加灵活，效率高。蜗轮材质可根据阀门开启次数以及电装转速选择(ASTM A536 65-45-12, QA15, D2)等材料，蜗轮与阀门阀杆连接部分有实体和内置螺母两款供客户选择，法兰全部采用ISO5211国际标准，与阀门配套更加方便。还可根据客户需求订做基座式连接，便于风门使用。与电装对接部分可选择 ISO5211, JB2920-81等连接形式。防护等级为IP65, 特殊环境还可做到IP68。

This series of products is quarter turn electric gear actuator. Suit to be used in ball valves, butterfly valves, plug valves, rotary ball valves etc. The housing made by precise casting, new design, nice appearance. It transmitted by worm gear and worm. The worm gear with self-locking. With tapered roller bearing, so the gearboxes can be operated more flexibly and have higher efficiency. Worm gear material choose ductile iron, aluminum bronze or D2, according to open times and electric actuator speed. Two connection types for choose: stem and key connection and removable nut type. Can produce based type gearboxes used in damper valves. The output mounting flange adapts to ISO 5211. So the gearboxes installed on the valve are very convenient. Input flange adapts to ISO 5211, JB2920-81 etc. General products protection grade is IP65. For special environment can be done IP68 and immersion.



型号 Model	YZ-0-D	YZ-1-D	YZ-2-D	YZ-2J-D	YZ-30-D	YZ-3-D	YZ-60-D	YZ-3J-D	YZ-4-D	YZ-100-D	YZ-4J-D	YZ-5-D	YZ-230-D	YZ-5J-D	YZ-6-D	YZ-6J-D	YZ-7-D	YZ-7X-D	YZ-7J-D	YZ-8-D	YZ-8J-D	YZ-9-D	
技术参数 TECHNICAL-PARAMETERS																							
速比 Ratio	34:1	44:1	44:1	50:1	70:1	50:1	70:1	50:1	55:1	70:1	57:1	62:1	70:1	67:1	65:1	75:1	82:1	70:1	75:1	75:1	60:1	82:1	
最大转矩 Max-torque	N-m	500	1200	1600	3500	3000	4500	6000	7500	12000	10000	16500	22000	23000	28000	38000	48000	63000	80000	100000	140000	190000	250000
	kgf-M	51	122	204	357	408	510	612	765	1225	1326	1683	2245	2251	2857	3878	2133	6428	8163	10204	14285	19388	25510
机械效率 M.A.±10%	0.35	0.35	0.35	0.35	0.35	0.35	0.35	0.35	0.35	0.35	0.35	0.35	0.35	0.35	0.35	0.35	0.35	0.35	0.35	0.35	0.35	0.35	

连接尺寸 CONNECTION-SIZE																							
法兰号 FLANGE	F10	F12	F14	F16	F16	F25	F20	F25	F30	F30	F35	F35	F35	F40	F40	F48	F48	F48	F60	F60			
法兰外圆(D)	125	150	175	210	210	300	250	300	350	350	415	415	415	475	475	560	560	560	686	686			
连接孔中心PCD	DO	102	125	140	165	165	254	205	254	298	298	356	356	356	406	406	483	483	483	603	603		
	N-H-DP	4-M10-15	4-M12-18	4-M16-20	4-M20-30	4-M20-30	8-M16-24	8-M16-24	8-M16-24	8-M20-30	8-M20-30	8-M20-30	8-M30-45	8-M30-45	8-M30-40	8-M36-5	8-M36-54	12-M36-54	12-M36-54	12-M36-54	20-M36-54	20-M36-54	
凸面 Convex (D1×h)	70×3	85×3	100×4	130×5	130×5	200×5	140×5	200×5	230×5	230×5	260×5	260×5	260×5	300×8	300×8	370×8	370×8	370×8	470×8	470×8			
最大阀杆mm (Φd) Max-Stem-Diameter	30	42	50	60	75	60	90	75	90	110	105	110	120	120	120	145	160	180	180	200	220	220	
	12×8	12×8	14×9	18×11	18×11	18×11	25×14	22×14	25×14	28×16	28×16	32×18	32×18	32×18	40×22	40×22	45×25	45×25	45×25	50×28	50×28		
电装连接 Electrical equipment connect	PD×b(key)	20×6	20×6	20×6	30×8	30×8	40×12	40×12	40×12	50×14	50×14	50×14	50×14	50×14	70×20	70×20	70×20	70×20	70×20	80×22	80×22		
	L0	45	45	45	55	55	60	60	60	80	80	80	80	80	80	110	110	110	110	110	120	120	

外形尺寸 APPEARANCE-SIZE																							
A	125	150	175	210	270	225	360	300	340	400	350	390	460	430	470	560	590	620	660	730	770	800	
B	156	185	207	245	315	265	403	331	393	458	418	427	509	488	532	637	670	705	735	817	910	995	
C	90	110	120	140	180	125	223	186	222	258	243	232	279	275	298	357	375	395	405	452	525	535	
L	80	85	95	115	137.5	122	177.5	148	167	196	185	187	223	225	232	280	295	315	340	365	395	420	
L1	135	140	155	180	188.5	180	228.5	228	232	260	265	252	282	305	302	360	370	410	420	440	490	580	
H	100	105	114	132	146	154	160	155	185	182	185	190	198.5	195	200	243	244	270	292	305	380	400	
1	66	68	78	93	98	106	110.5	105	127	114.5	122	120	131	132	127	145	153	167	193	208	215	250	

蜗轮箱与电装组合参数 COMBINATION OF WORM GEAR BOX AND ELECTRICAL EQUIPMENT PARAMETERS																							
电装参数 Electrical Parameters	力矩 Torque Nm	50	100	150	250	176	300	244	450	600	542	845	1200	1020	1350	1800	1800	2500	2500	3500	5000	8000	8000
	转速 Speed r/min	24	24	24	24	24	24	48	24	24	36	36	24	24	24	24	24	24	24	24	24	24	24
	接盘 F	F10	F10	F10	F14	F14	F14	F16	F16	F16	F16	F25	F25	F25	F25	F30	F30	F30	F35	F40	F40		
蜗轮参数 Gearbox Parameters	输出力矩 Output Nm	500	1200	2000	3500	4000	4650	6000	6750	10200	13000	16500	22000	25000	27100	35000	40500	61500	73500	78750	112500	144000	196000
	开阀时间 Open-time S	22	27.5	27.5	31.2	43.8	32.2	21.8	32.2	34.3	29.1	28	39	43.8	42	40.6	47	51.3	44	47	47	37.5	51.3

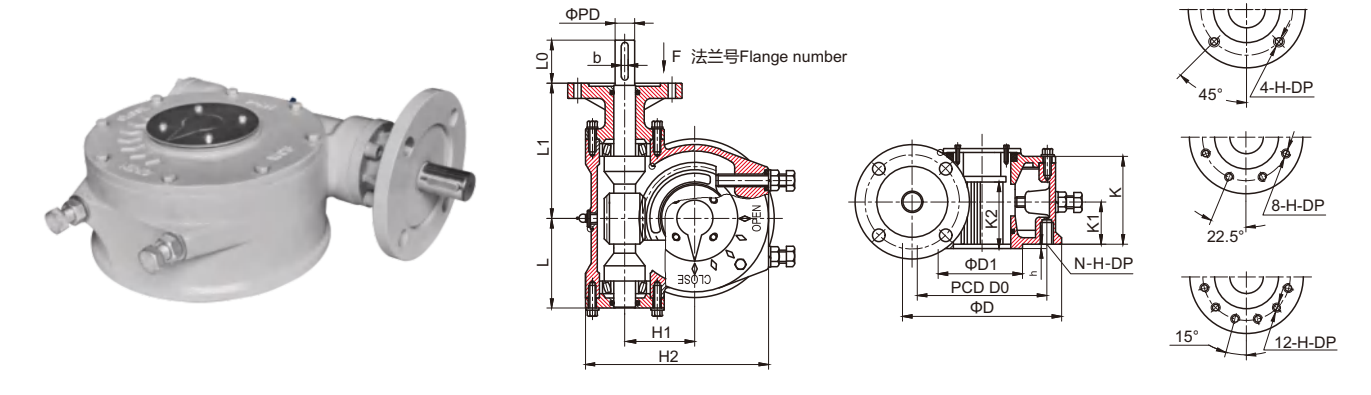
# MY-D

## 部分回转型阀门电动装置 MY-D Series Quarter turn electric gear actuator



该系列是一款90°部分回转电动驱动装置。适用于球阀、蝶阀、旋塞阀、旋球阀等阀门。箱体采用精密铸造，样式新颖，外形美观。采用蜗轮蜗杆传动，蜗轮副自锁，使用圆锥滚子轴承，传动更加灵活，效率高。蜗轮材质可根据阀门开启次数以及电装转速选择(ASTM A536 65-45-12, QA15, D2)等材料，蜗轮与阀门阀杆连接部分有实体和内置螺母两款供客户选择，法兰全部采用ISO5211国际标准，与阀门配套更加方便。还可根据客户需求订做基座式连接，便于风门使用。与电装对接部分可选择 ISO5211, JB2920-81等连接形式。防护等级为IP65, 特殊环境还可做到IP68。

This series of products is quarter turn electric gear actuator. Suit to be used in ball valves, butterfly valves, plug valves, rotary ball valves etc. The housing made by precise casting, new design, nice appearance. It transmitted by worm gear and worm. The worm gear with self-locking. With tapered roller bearing, so the gearboxes can be operated more flexibly and have higher efficiency. Worm gear material choose ductile iron, aluminum bronze or D2, according to open times and electric actuator speed. Two connection types for choose: stem and key connection and removable nut type. Can produce based type gearboxes used in damper valves. The output mounting flange adapts to ISO 5211. So the gearboxes installed on the valve are very convenient. Input flange adapts to ISO 5211, JB2920-81 etc. General products protection grade is IP65. For special environment can be done IP68 and immersion.



型号 Model	MY-00D	MY-0D	MY-1D	MY-2D	MY-3D	MY-4D	MY-5D	MY-6D	MY-7D	MY-8D	MY-9D	MY-10D	
技术参数 TECHNICAL-PARAMETERS													
速比 Ratio	33:1	39:1	46:1	49:1	53:1	60:1	62:1	67:1	65:1	78:1	70:1	80:1	
最大转矩 Max-torque	N-m	800	1200	1800	3500	5000	10000	18000	22000	40000	58000	80000	150000
	kgf-M	81.6	122.4	183.6	357	510	1122	1836	2245	3061	5510	8163	12245
传动效率 Transmission efficiency M.A.±10%	0.3	0.3	0.3	0.3	0.3	0.3	0.3	0.3	0.3	0.3	0.3	0.3	

连接尺寸 CONNECTION-SIZE													
法兰号 FLANGE	F10	F12	F14	F16	(F20)	F25	F30	F35	F40	F48	F60	F60	
法兰外圆(D)	125	150	175	210	250	300	350	415	475	560	686	686	
连接孔中心PCD	DO	102	125	140	165	205	254	298	356	406	483	603	
	N-H-DP	4-M10-15	4-M12-18	4-M16-24	4-M20-30	8-M16-24	8-M16-24	8-M20-27	8-M20-27	8-M30-45	8-M36-54	12-M36-54	20-M36-54
凸面 Convex (D1×h)	70×3	85×3	100×4	130×5	140×5	200×5	260×5	260×5	300×8	300×8	370×8	470×8	
最大阀杆 mm (Φd) Max-Stem-Diameter	30	38	45	55	65	80	105	115	140	155	200	220	
	8×7	10×8	14×9	16×10	20×12	22×14	28×16	32×18	36×20	40×22	45×25	50×28	
电装连接 Input Shaft	PD×b(key)	15×5	20×6	20×6	30×8	30×8	35×10	40×12	50×14	50×14	60×18	60×18	70×20
	L0	30	40	40	55	55	60	60	65	80	80	80	100

外形尺寸 APPEARANCE-SIZE												
H1	55	66	75	92	111	145	160	200	225	270	315	355
H2	153.5	198.5	217.5	277	292.5	394	435	552.5	607.5	720	820	915
K	85	89	89	108	110	140	140	179	188	203	230	240
K1	43	51	52	63	61	85	87	90	100	100	120	125
K2	42	47	58	62	60	100	102	112	140	155	176	200
L	70	83	92	113	125	155	197	230	264	300	368	395
L1	135	148	157	178	193	223	265	298	332	368	495	545

蜗轮箱与电装组合参数 COMBINATION OF WORM GEAR BOX AND ELECTRICAL EQUIPMENT PARAMETERS													
电装参数 Electrical Parameters	力矩 Torque Nm	108	108	108	203	244	540	845	1020	2030	2030	3000	5000
	转速 Speed r/min	24	24	24	24	48	36	36	24	24	24	24	24
	接盘 JB2920-81	Z10	Z10	Z10	Z20	Z30	Z60	Z90	Z120	Z250	Z250	Z350	Z500
蜗轮参数 Gearbox Parameters	接盘 Connection flange	F10	F10	F10	F14	F14	F16	F16	F25	F25	F30	F30	F35
	输出力矩 Output Nm	750	1200	1490	3000	4400	9700	15700	20500	40000	45000	76500	116000
开阀时间 Open-time S	21	24	29	31	19	25	26	42	27	49	44	50	



# MY-1-SD

## 部分回转型阀门电动装置

MY-1SD Series Quarter turn electric gear actuator

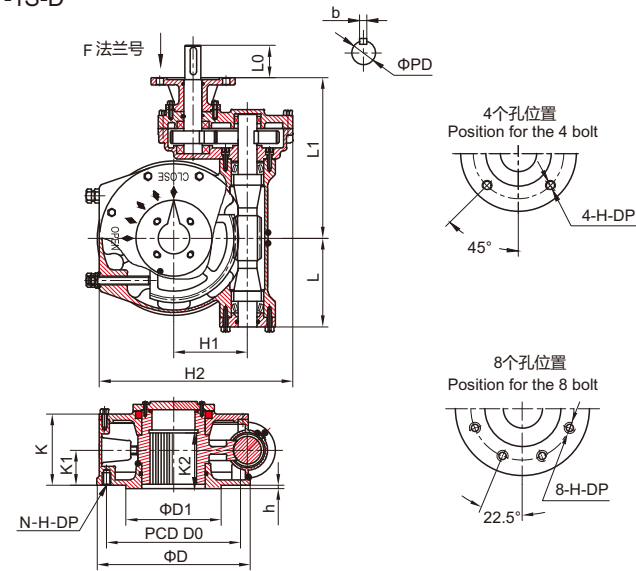


该系列是一款90°部分回转电动驱动装置。适用于球阀、蝶阀、旋塞阀、旋球阀等阀门。箱体采用精密铸造，样式新颖，外形美观。采用蜗轮蜗杆传动，蜗轮副自锁，使用圆锥滚子轴承，传动更加灵活，效率高。蜗轮材质可根据阀门开启次数以及电装转速选择(ASTM A536 65-45-12, QA15, D2)等材料，蜗轮与阀门阀杆连接部分有实体和内置螺母两款供客户选择，法兰全部采用ISO5211国际标准，与阀门配套更加方便。还可根据客户需求订做底座式连接，便于风门使用。与电装对接部分可选择ISO5211, JB2920-81等连接形式。防护等级为IP65, 特殊环境还可做到IP68。

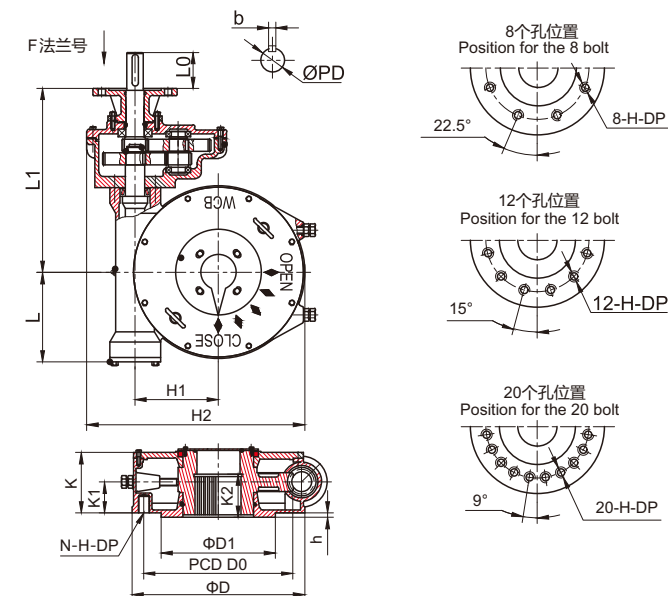
This series of products is quarter turn electric gear actuator. Suit to be used in ball valves, butterfly valves, plug valves, rotary ball valves etc. The housing made by precise casting, new design, nice appearance. It transmitted by worm gear and worm. The worm gear with self-locking. With tapered roller bearing, so the gearboxes can be operated more flexibly and have higher efficiency. Worm gear material choose ductile iron, aluminum bronze or D2, according to open times and electric actuator speed. Two connection types for choose: stem and key connection and removable nut type. Can produce based type gearboxes used in damper valves. The output mounting flange adapts to ISO 5211. So the gearboxes installed on the valve are very convenient. Input flange adapts to ISO 5211, JB2920-81 etc. General products protection grade is IP65. For special environment can be done IP68 and immersion.



MY-1S-D



MY-1SZ-D



# MY-1-SD

## 部分回转型阀门电动装置

MY-1SD Series Quarter turn electric gear actuator



型号 Model	MY-0 -1S-D	MY-1 -1S-D	MY-2 -1S-D	MY-3 -1S-D	MY-4 -1S-D	MY-4 -1SZ-D	MY-5 -1S-D	MY-5 -1SZ-D	MY-6 -1S-D	MY-6 -1SZ-D	MY-7 -1S-D	MY-8 -1S-D	MY-9- 1S-D	MY-10 -1S-D
-------------	---------------	---------------	---------------	---------------	---------------	----------------	---------------	----------------	---------------	----------------	---------------	---------------	---------------	----------------

连接尺寸 CONNECTION-SIZE

法兰号 Flange	F12	F14	F16	(F20)	F25	F25	F30	F30	F35	F35	F40	F48	F60	F60	
法兰外圆(D)	150	175	210	250	300	300	350	350	415	415	475	560	686	686	
连接孔中心 PCD	D0	125	140	165	205	254	254	298	298	356	356	406	483	603	603
	N-H-DP	4-M12 -18	4-M16 -24	4-M20 -30	8-M16 -24	8-M16 -24	8-M16 -24	8-M20 -27	8-M20 -27	8-M30 -45	8-M30 -45	8-M36 -54	12-M36 -54	20-M36 -54	20-M36 -54
凸面 Convex (D1×h)	85×3	100×4	130×5	140×5	200×5	200×5	230×5	230×5	260×5	260×5	300×8	370×8	470×8	470×8	
最大阀杆 mm (Φd) Max-Stem	38 10×8	45 14×9	55 16×10	65 20×12	80 22×14	80 22×14	105 28×16	105 28×16	115 32×18	115 32×18	140 36×20	155 40×22	200 45×25	220 50×28	
与电装连接 Input Shaft	20	20	20	30	30	30	30	30	30	30	40	40	50	50	
	6	6	6	8	8	8	8	8	8	8	12	12	14	14	
	40	40	40	50	50	50	50	50	50	50	60	60	75	75	

外形尺寸 APPEARANCE-SIZE

H1	66	75	92	111	145	145	160	160	200	200	225	270	315	334
H2	195	214	274.5	325.5	374	374	417.5	417.5	542.5	542.5	617.5	705	854	881
K	89	89	108	110	140	140	140	140	179	179	188	203	230	240
K1	47	45	63	57	80	80	70	70	90	90	100	100	120	125
K2	47	58	62	60	100	100	102	102	112	112	140	155	176	200
L	83	92	113	125	155	155	197	197	230	230	264	300	368	395
L1	211	220	248	261	310	345	345	375	388	409	463	503	49	570

# MY-1-SD

## 部分回转型阀门电动装置

MY-1SD Series Quarter turn electric gear actuator



YOYAGE  
耀远

型号 Model	可选减速比 Optional ratio	输出力矩 Output torque N.m	输入力矩 Input torque N.m	与阀门连接法兰 Output Flange		与执行器连接法兰 Input Flange		
				ISO5211	ISO5211	ISO5210	输入轴 Input shaft	JB2920-81
MY-00-1SD	60:1	300Nm	25Nm	F10	F07	F10	Φ15×5×40	Z10
	60:1	400Nm	30Nm	F10	F07	F10	Φ15×5×40	Z10
MY-0-1SD	50:1	700Nm	60Nm	F12	F10	F10	Φ20×6×40	Z10
	60:1		48Nm	F12	F10	F10	Φ20×6×40	Z10
	70:1	41Nm	F12	F10	F10	Φ20×6×40	Z10	
	50:1	1000Nm	80Nm	F12	F10	F10	Φ20×6×40	Z10
	60:1		68Nm	F12	F10	F10	Φ20×6×40	Z10
70:1	60Nm	F12	F10	F10	Φ20×6×40	Z10		
MY-1-1SD	60:1	1500Nm	108Nm	F14	F12	F10	Φ20×6×40	Z10
	70:1		100Nm	F14	F12	F10	Φ20×6×40	Z10
	82:1	80Nm	F14	F12	F10	Φ20×6×40	Z10	
MY-2-1SD	122:1	2500Nm	100Nm	F16	F14	F10	Φ20×6×40	Z20
	235:1		48Nm	F16	F14	F10	Φ20×6×40	Z20
	320:1	41Nm	F16	F14	F10	Φ20×6×40	Z10	
	122:1	3500Nm	120Nm	F16	F14	F10	Φ20×6×40	Z15
	235:1		68Nm	F16	F14	F10	Φ20×6×40	Z10
320:1	60Nm	F16	F14	F10	Φ20×6×40	Z10		
MY-3-1SD	440:1	4500Nm	41Nm	F16	F14	F10	Φ20×6×40	Z10
	132:1		142Nm	F20	F16	F14	Φ30×8×50	Z15
	170:1	120Nm	F20	F16	F10	Φ20×6×40	Z15	
	256:1	80Nm	F20	F16	F10	Φ20×6×40	Z20	
	346:1	68Nm	F20	F16	F10	Φ20×6×40	Z20	
MY-4-1SD	475:1	6500Nm	48Nm	F20	F16	F10	Φ20×6×40	Z10
	150:1		203Nm	F25	F16/F20	F14	Φ30×8×50	Z20
	198:1	142Nm	F25	F16/F20	F14	Φ30×8×50	Z30	
	230:1	120Nm	F25	F16/F20	F10	Φ20×6×40	Z30	
	265:1	108Nm	F25	F16/F20	F10	Φ20×6×40	Z60	
	150:1	8500Nm	244Nm	F25	F16/F20	F14	Φ30×8×50	Z30
	198:1		203Nm	F25	F16/F20	F14	Φ30×8×50	Z30
	230:1	176Nm	F25	F16/F20	F14	Φ30×8×50	Z30	
	265:1	142Nm	F25	F16/F20	F14	Φ30×8×50	Z20	
	150:1	10000Nm	298Nm	F25	F16/F20	F14	Φ30×8×50	Z30
198:1	244Nm		F25	F16/F20	F14	Φ30×8×50	Z30	
230:1	203Nm	F25	F16/F20	F14	Φ30×8×50	Z20		
265:1	176Nm	F25	F16/F20	F14	Φ30×8×50	Z20		
MY-5-1SD	160:1	13000Nm	400Nm	F30	F25	F16	Φ40×12×60	Z60
	215:1		298Nm	F30	F25	F14	Φ30×8×50	Z60
	314:1	176Nm	F30	F25	F14	Φ30×8×50	Z45	
	372:1	150Nm	F30	F25	F14	Φ30×8×50	Z30	
	160:1	16000Nm	450Nm	F30	F25	F16	Φ40×12×60	Z45
	215:1		366Nm	F30	F25	F16	Φ40×12×60	Z45
	314:1	244Nm	F30	F25	F14	Φ30×8×50	Z30	
372:1	203Nm	F30	F25	F14	Φ30×8×50	Z30		
MY-6-1SD	153:1	22000Nm	600Nm	F35	F25/F30	F16	Φ40×12×60	Z60
	215:1		450Nm	F35	F25/F30	F16	Φ40×12×60	Z45
	392:1	244Nm	F35	F25/F30	F14	Φ30×8×50	Z30	
	490:1	203Nm	F35	F25/F30	F14	Φ30×8×50	Z30	
	568:1	176Nm	F35	F25/F30	F14	Φ30×8×50	Z20	
	705:1	142Nm	F35	F25/F30	F14	Φ30×8×50	Z15	
	952:1	120Nm	F35	F25/F30	F10	Φ20×6×45	Z15	
	153:1	26000Nm	750Nm	F35	F25/F30	F16	Φ40×12×60	Z90
	215:1		542Nm	F35	F25/F30	F16	Φ40×12×60	Z60
	392:1	298Nm	F35	F25/F30	F14	Φ30×8×50	Z30	
	490:1	244Nm	F35	F25/F30	F14	Φ30×8×50	Z30	
	568:1	203Nm	F35	F25/F30	F14	Φ30×8×50	Z20	
	705:1	176Nm	F35	F25/F30	F14	Φ30×8×50	Z20	
	952:1	142Nm	F35	F25/F30	F14	Φ30×8×50	Z15	

# MY-1-SD

## 部分回转型阀门电动装置

MY-1SD Series Quarter turn electric gear actuator



YOYAGE  
耀远

型号 Model	可选减速比 Optional ratio	输出力矩 Output torque N.m	输入力矩 Input torque N.m	与阀门连接法兰 Output Flange		与执行器连接法兰 Input Flange		
				ISO5211	ISO5211	ISO5210	输入轴 Input shaft	JB2920-81
MY-7-1SD	255:1	35000Nm	600Nm	F40	F30/F35	F16	Φ40×12×60	Z60
	340:1		450Nm	F40	F30/F35	F14	Φ30×8×50	Z45
	395:1		400Nm	F40	F30/F35	F14	Φ30×8×50	Z45
	560:1		298Nm	F40	F30/F35	F14	Φ30×8×50	Z30
	700:1		250Nm	F40	F30/F35	F14	Φ30×8×50	Z30
	860:1	203Nm	F40	F30/F35	F14	Φ30×8×50	Z20	
	1040:1	176Nm	F40	F30/F35	F14	Φ30×8×50	Z20	
	255:1	40000Nm	680Nm	F40	F30/F35	F16	Φ40×12×60	Z60
	340:1		500Nm	F40	F30/F35	F16	Φ40×12×60	Z60
	395:1		450Nm	F40	F30/F35	F14	Φ30×8×50	Z45
	560:1		366Nm	F40	F30/F35	F14	Φ30×8×50	Z45
	700:1		250Nm	F40	F30/F35	F14	Φ30×8×50	Z30
	860:1	244Nm	F40	F30/F35	F14	Φ30×8×50	Z30	
	1040:1	203Nm	F40	F30/F35	F14	Φ30×8×50	Z20	
	MY-8-1SD	320:1	50000Nm	680Nm	F48	F35/F40	F16	Φ40×12×60
360:1		600Nm		F48	F35/F40	F16	Φ40×12×60	Z60
435:1		500Nm		F48	F35/F40	F14	Φ30×8×50	Z60
505:1		450Nm		F48	F35/F40	F14	Φ30×8×50	Z45
620:1		366Nm		F48	F35/F40	F14	Φ30×8×50	Z45
760:1		300Nm	F48	F35/F40	F14	Φ30×8×50	Z30	
910:1		250Nm	F48	F35/F40	F14	Φ30×8×50	Z30	
1248:1		203Nm	F48	F35/F40	F14	Φ30×8×50	Z20	
320:1		60000Nm	800Nm	F48	F35/F40	F16	Φ40×12×60	Z90
360:1			750Nm	F48	F35/F40	F16	Φ40×12×60	Z90
435:1			600Nm	F48	F35/F40	F16	Φ40×12×60	Z60
505:1			500Nm	F48	F35/F40	F14	Φ30×8×50	Z60
620:1			450Nm	F48	F35/F40	F14	Φ30×8×50	Z45
760:1		366Nm	F48	F35/F40	F14	Φ30×8×50	Z45	
910:1		300Nm	F48	F35/F40	F14	Φ30×8×50	Z30	
1248:1	244Nm	F48	F35/F40	F14	Φ30×8×50	Z30		
MY-9-1SD	385:1	80000Nm	900Nm	F60	F48	F16	Φ40×12×60	Z90
	435:1		800Nm	F60	F48	F16	Φ40×12×60	Z90
	485:1		750Nm	F60	F48	F16	Φ40×12×60	Z60
	580:1		600Nm	F60	F48	F16	Φ40×12×60	Z60
	730:1		500Nm	F60	F48	F14	Φ30×8×50	Z60
	846:1	450Nm	F60	F48	F14	Φ30×8×50	Z45	
	950:1	400Nm	F60	F48	F14	Φ30×8×50	Z45	
	1120:1	366Nm	F60	F48	F14	Φ30×8×50	Z45	
	385:1	100000Nm	1200Nm	F60	F48	F25	Φ50×14×80	Z120
	435:1		1020Nm	F60	F48	F25	Φ50×14×80	Z120
	485:1		900Nm	F60	F48	F16	Φ40×12×60	Z90
	580:1		750Nm	F60	F48	F16	Φ40×12×60	Z90
	730:1		625Nm	F60	F48	F16	Φ40×12×60	Z60
	846:1	600Nm	F60	F48	F16	Φ40×12×60	Z60	
	950:1	542Nm	F60	F48	F16	Φ40×12×60	Z60	
1120:1	450Nm	F60	F48	F14	Φ30×8×50	Z45		
MY-10-1SD	435:1	120000Nm	1200Nm	F60	F48	F25	Φ50×14×80	Z120
	535:1		1020Nm	F60	F48	F25	Φ50×14×80	Z120
	610:1		900Nm	F60	F48	F16	Φ40×12×60	Z60
	645:1		845Nm	F60	F48	F16	Φ40×12×60	Z60
	715:1		800Nm	F60	F48	F16	Φ40×12×60	Z60
	760:1	750Nm	F60	F48	F16	Φ40×12×60	Z60	
	1000:1	600Nm	F60	F48	F16	Φ40×12×60	Z60	
	1100:1	542Nm	F60	F48	F16	Φ40×12×60	Z60	
	1248:1	500Nm	F60	F48	F14	Φ30×8×50	Z45	
	435:1	150000Nm	1490Nm	F60	F48	F25	Φ50×14×80	Z120
	535:1		1290Nm	F60	F48	F25	Φ50×14×80	Z120
	610:1		1200Nm	F60	F48	F25	Φ50×14×80	Z120
	645:1		1100Nm	F60	F48	F25	Φ50×14×80	Z120
	715:1		1020Nm	F60	F48	F25	Φ50×14×80	Z120



QJ

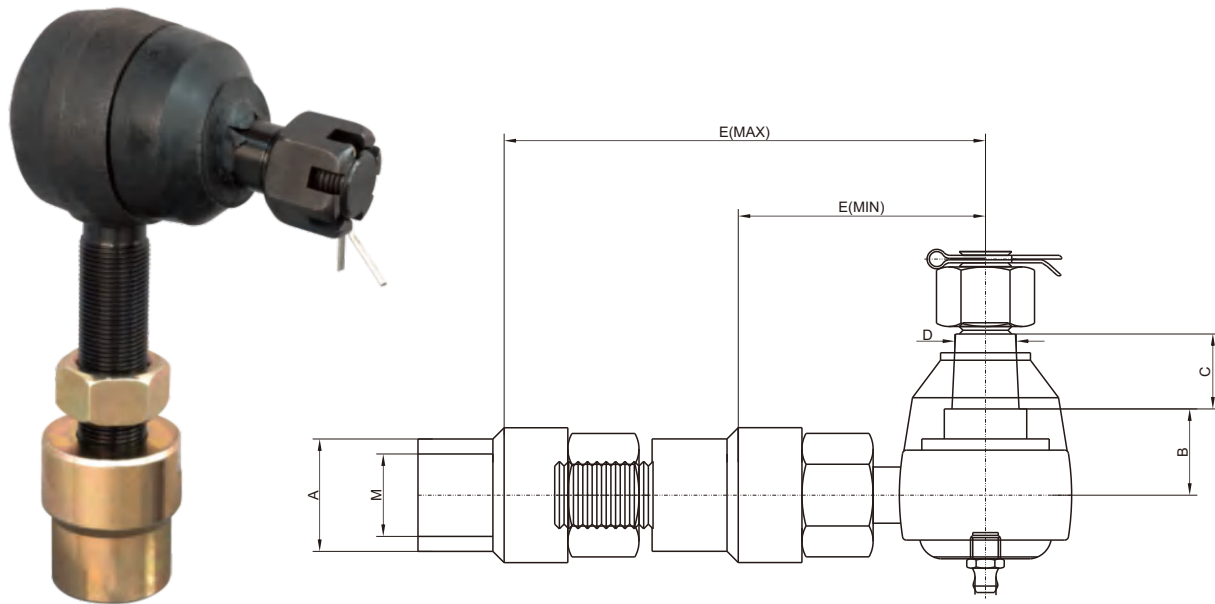
# 球型铰链机构

QJ Series Spherical hinge



球型铰链机构是用于自动控制的执行器和调节机构的连接件，该系列产品用于电力、冶金、矿山、化工、轻纺等工业自动化控制系统中，是一种广泛的连接机构。该产品能灵活承受各异面的载力，结构紧凑、控制灵敏、准确、耐磨损；连接有直销和锥销；连杆采用左右螺纹连接。方便可靠，调节范围大；产品密封设计，可在尘灰多的工况，潮湿、低温-30°~+70°的条件下使用。

Ball hinge mechanism is used for connecting pieces of actuators and adjustment mechanism, this series of products for electric power, metallurgy, mining, chemical, textile and other industrial automatic control system, is a widespread connecting mechanism. The product can bear the load of different surface, the structure is compact, the control is sensitive, accurate and wear resistance; the connection has the direct selling and the taper pin; the connecting rod is connected with the left and right thread. Convenient and reliable, large adjustment range; product design, can be in the dust and ash more working conditions, wet, low temperature -30 degrees ~+70 degrees under the conditions of use.



规格 Model	扭矩 N·m	直柄销轴直径 Pin Dia ΦD(mm)	销轴长度 Pin length ΦC(mm)	锥柄销轴 直径 (1:10) Taper shank pin diameter (1:10)	销轴长度 Pin length ΦC(mm)	B	焊管内径×壁厚	最大调整量	调整范围
							ΦA(mm)	E(max)	(mm)
QJ-10	100	14	14	18	20	24	35×30	100	0-50
QJ-25	250	16	20	18	20	26	35×30	100	0-70
QJ-60	600	18	22	20	22	31	40×35	120	0-90
QJ-160	1600	20	24	24	30	33	45×39	150	0-110
QJ-400	4000	30	24	30	35	44	50×42	150	0-150
QJ-600	6000	30	30	30	35	40	50×42	210	0-150
QJ-1000	10000	30	32	38	38	40	55×46	210	0-150
QJ-1500	15000	35	35	45/38	38	40	60×50	210	0-170

YZ-JZ

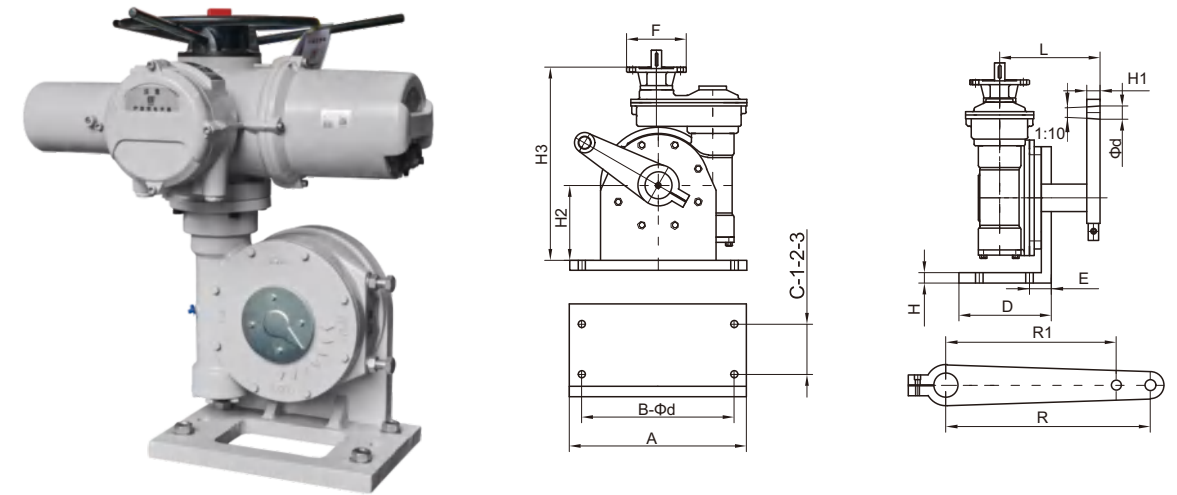
# 基座拐臂式齿轮箱

YZ-JZ Series Gearbox with mounting base and lever arm



该系列齿轮箱主要应用于风门、蝶阀、球阀、旋塞阀、旋球阀等90°启闭的阀门，其基座尺寸可以根据使用现场定做。输出扭矩从300Nm到400000Nm,目录册只提供了9个基座的常规连接尺寸，产品设计灵活，安装方便，配套球型铰链合理。齿轮箱速比可根据现场的开启时间，电装的输入扭矩以及转速进行调整，这样对输入电装有很多选择，不同的输入扭矩和不同的转速相结合达到现场合理的使用工况。

This series is mainly used in dampers, butterfly valves, ball valves, plug valves, rotary ball valves and other 90° open-close valves. Base size can be customized according to request. Output torque from 300Nm to 400000Nm, the catalogue provides only 9 of the base of the conventional base size. Flexible product design, easy to install, supporting the ball type hinge. Gearbox ratio can be customized according to the opening time of the scene, the electrical input torque and the speed of electric actuator. So there are more electric actuator for more choices.



尺寸型号 Size model	YZ-JZ-1	YZ-JZ-2	YZ-JZ-3	YZ-JZ-4	YZ-JZ-5	YZ-JZ-6	YZ-JZ-7	YZ-JZ-8	YZ-JZ-9
A	160	160	295	350	410	520	520	630	630
B	140	140	223	270	338	448	448	580	580
C	4-Φ14 1×70	4-Φ14 1×70	4-Φ18 1×94	4-Φ22 1×102	6-Φ22 2×80	6-Φ22 2×80	6-Φ22 2×80	8-Φ22 3×70	8-Φ22 3×70
D	135	135	165	185	275	275	275	320	320
E	36	36	48	50	56	62	62	70	70
F	F10 Z10	F10 Z10	F10 Z20	F10 F14	F10 Z20 F14 Z45	F10 Z20 F14 Z60	F14 Z30 F16 Z120	F14 Z60 F16 Z180	F14 Z60 F16 Z180
H	15	15	20	25	30	30	35	45	45
H1	20	20	25	30	35	40	40	40	40
H2	115	115	150	180	210	220	220	270	405
H3	290	300	430	430	530	565	630	725	1025
L	165	180	225	225	280	295	300	310	490
R1	160	160	200	200	250	250	250	400	400
R2	200	200	250	250	300	300	300	500	500
Φd	18	18	20	30	30	35	35	35	35
可选输入扭矩 Input torque	30Nm 45Nm	70Nm 90Nm	60Nm 200Nm	60Nm 300Nm	120Nm 450Nm	120Nm 600Nm	250Nm 1200Nm	250Nm 1800Nm	250Nm 1800Nm
速比调整范围 Optimal ratio	80:1 44:1	80:1 44:1	200:1 50:1	335:1 50:1	300:1 50:1	415:1 55:1	450:1 65:1	640:1 65:1	920:1 82:1
输出扭矩 Output torque	600Nm	1200Nm	1500Nm 2500Nm	2500Nm 4000Nm	4500Nm 6500Nm	6500Nm 10000Nm	10000Nm 20000Nm	20000Nm 32000Nm	32000Nm 46000Nm

# RK-DZ

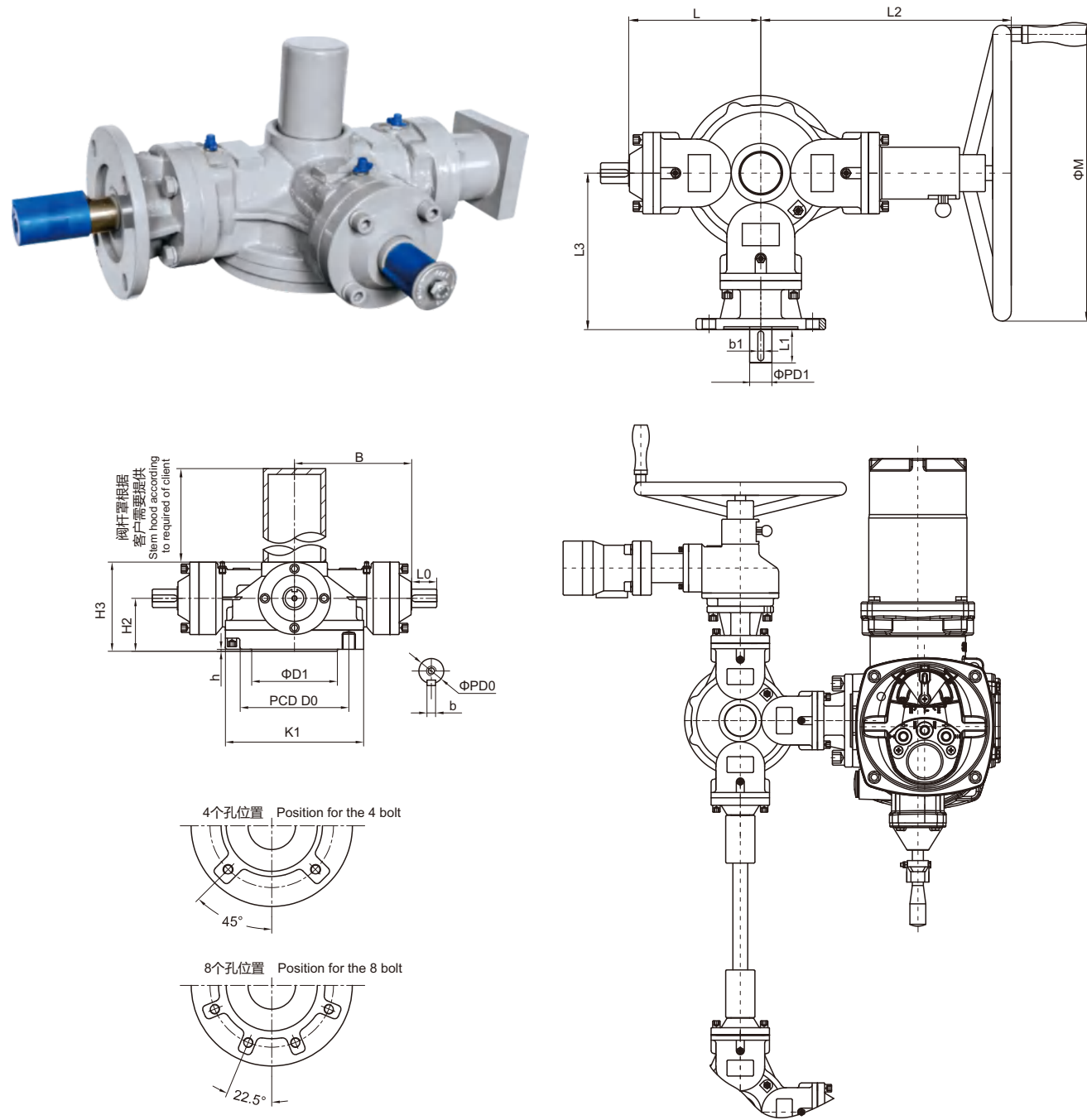
## 多回转型阀门手动装置

RK-DZ Series Multi-turn manual gear actuator



该装置是直接安装在闸阀、蝶阀、旋塞阀和截止阀等阀门上的手动装置，该装置采用弧齿锥齿轮和平面推力轴承，有运转平稳、扭矩大、噪音小、效率高的优点。在所有的结合部，采用了密封垫全密封处理，达到了防水、防油漏的效果，防护等级为IP65。手轮和阀杆罩可根据用户需求定制。结合各类阀门使用要求及环境，还有单级带电连接、双级带电连接、双级手轮驱动等产品。

This bevel gearbox can be installed directly on the gate valves, butterfly valves, plug valves, globe valves and other valves. By using spiral bevel gears and thrust ball bearing, this series actuator can run smoothly, and has high output torque, low noise and high efficiency. It can avoid from water in and grease out. Protection grade is IP65. For special environment can be done IP68 and immersion. Handwheel and stem cover can be customized. For different valves and requirement, there are single stage gearboxes with input flange, two stage gearboxes with input flange, two stage manual gearboxes and so on.



# RK-DZ

## 多回转型阀门手动装置

RK-DZ Series Multi-turn manual gear actuator



型号 Model	RK03-DZ	RK05-DZ	RK1-DZ	2CK2-DZ	2CK3-DZ	2CK5-DZ	2CK8-DZ	2CK10-DZ
技术参数 TECHNICAL-PARAMETERS								
速比 Ratio	2.6:1	3:1	3.6:1	4.2:1	4.2:1	5:1	6.3:1	7.1:1
最大推力 Max-thrust	N·m	90000	135000	180000	250000	280000	370000	650000
	Kgf·m	9184	13776	18367	25510	28571	37755	66327
最大转矩 Max-torque	N·m	350	550	900	1500	2000	2800	4500
	Kgf·m	36	56	92	153	204	286	459
最大阀杆直径 Max-stem dia. Mm	42	52	60	70	80	95	110	130
参考重量 Weight Kg	18	25	28	33	48	92.5	190	280
连接尺寸 CONNECTION-SIZE								
法兰号 Flange	F12	F14	F16	(F20)	F25	F30	F35	F40
法兰外圆(D)	150	175	210	250	300	350	415	475
连接孔中心PCD	D0	125	140	165	205	254	298	356
	N-H-DP	4-M12-18	4-M16-24	4-M20-30	8-M16-24	8-M16-24	8-M20-30	8-M30-45
凸面 Convex (D1×h)	85×3	100×4	130×4	140×5	200×5	230×5	260×5	300×8
外形尺寸 APPEARANCE-SIZE								
H1	45	69	76	89	97	120	150	176
H2	84	96	113	113	127	163	225	290
H3	110	123	138	140	152	188	250	320
L	152	170	180	202	226	280	355	365
L2	275	350	370	342	366	440	515	675
手轮handwheel	PD0	20	28	28	32	32	38	50
	(b)key	6×6	8×7	8×7	10×8	10×8	10×8	10×8
	L0	26	40	50	38	38	44	44
	M	300	400	500	550	600	700	800
与电装连接 Input Shaft	PD1X(b1)key	20×6	30×8	30×8	30×8	40×12	45×14	50×14
	L1	45	50	50	50	60	65	70
与电装连接法兰号JB2920-81 Input flange size	1号法兰 Flange No.1	2号法兰 Flange No.2	3号法兰 Flange No.3	4号法兰 Flange No.4	4号法兰 Flange No.4	5号法兰 Flange No.5	7号法兰 Flange No.7	8号法兰 Flange No.8
外形尺寸 APPEARANCE-SIZE								
H1	46	55	62	75	85	105	145	165
H2	70	70	75	90	100	140	155	210
H3	125	128	145	160	170	225	280	335
L3	175	200	220	248	265	320	395	405
伞齿轮与电装组合参数 BEVEL GEAR COMBINATION OF PARAMETERS AND ELECTRICAL EQUIPMEN								
电装参数 Electrical Parameters	输入力矩input Torque Nm	200	250	300	450	600	900	1800
	转速Speed r/min	36	36	36	24/48	24/36/48	24/36/48	24/36
	接盘Connection flange F	F10	F14	F14	F14	F16	F16	F25
伞齿轮参数 Parameters of bevel gear	输出力矩Output Torque Nm	375	600	864	1440	2040	3700	9000



# MY-V-SD

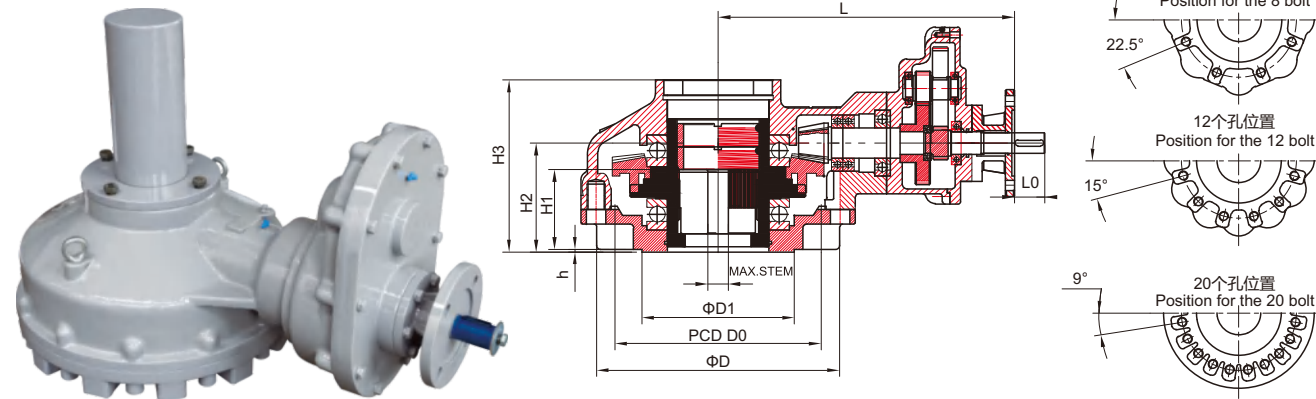
## 多回转型阀门电动装置

MY-V-SD Series Multi-turn electric gear actuator



该装置是直接安装在闸阀、蝶阀、旋塞阀和截止阀等阀门上的电动装置，该装置采用弧齿锥齿轮和平面推力轴承，有运转平稳、扭矩大、噪音小、效率高的优点。在所有的结合部，采用了密封垫全密封处理，达到了防水、防油漏的效果，防护等级为IP65。结合各类阀门使用要求及环境，还有单级带电连接、双级带电连接、双级手轮驱动等产品。

This bevel gearbox can be installed directly on the gate valves, butterfly valves, plug valves, globe valves and other valves. By using spiral bevel gears and thrust ball bearing, this series actuator can run smoothly, and has high output torque, low noise and high efficiency. It can avoid from water in and grease out. Protection grade is IP65. For special environment can be done IP68 and immersion. For different valves and requirement, there are single stage gearboxes with input flange, two stage gearboxes with input flange, two stage manual gearboxes and so on.



型号 Model	MY-V0-SD	MY-V1-SD	MY-V2-SD	MY-V3-SD	MY-V35-SD	MY-V4-SD	MY-V5-SD	MY-V6-SD	MY-V7-SD	MY-V8-SD	MY-V9-SD	MY-V10-SD
----------	----------	----------	----------	----------	-----------	----------	----------	----------	----------	----------	----------	-----------

### 技术参数 TECHNICAL-PARAMETERS

最大阀杆直径 Max-stem dia.Mm	35	40	52	60	70	90	110	120	130	150	180	200
参考重量 Weight(Kg)	35	41	52	70	115	195	256	316	470	645	1350	1700

### 连接尺寸 CONNECTION-SIZE

法兰号 FLANGE	F14	F16	(F20)	F25	F30	F35	F35	F40	F48	F60	F60	F80
法兰外圆(D)	175	210	250	300	350	415	415	475	560	686	686	900
连接孔中心 PCD	D0	140	165	205	254	298	356	356	406	483	603	813
N-H-DP	4-M16-24	4-M20-30	8-M16-24	8-M16-24	8-M20-35	8-M30-45	8-M30-45	8-M36-54	12-M36-54	20-M36-54	20-M36-54	20-M42-65
凸面 Convex (D1×h)	100×4	130×4	140×5	200×5	230×5	260×5	260×5	300×8	370×8	470×8	470×8	670×10

### 外形尺寸 APPEARANCE-SIZE

H1	55	62	89	97	120	120	152	176	188	230	200	200
H2	69	78	91	99.5	112	164	215	290	227	231	330	330
H3	114	125	144	163	225	269	235	338.5	331	346	409	540.5
L	160	180	305	330	390	400	480	500	550	610	817	964

# MY-V-SD

## 多回转型阀门电动装置

MY-V-SD Series Multi-turn electric gear actuator



型号 Model	可选减速比 Optional ratio	输出力矩 Output torque N.m	输入力矩 Input torque N.m	与阀门连接法兰 Output Flange		与执行器连接法兰 Input Flange		
				ISO5211	ISO5211/ JB2920-81	ISO5210	输入轴 Input shaft	JB2920-81
MY-V0-SD	5:1	450Nm	102Nm	F14	F12/Z30	F10	Φ20×6×40	Z10
	6:1		90Nm	F14	F12/Z30	F10	Φ20×6×40	Z10
	8:1		80Nm	F14	F12/Z30	F10	Φ20×6×40	Z10
	9.7:1		68Nm	F14	F12/Z30	F10	Φ20×6×40	Z10
MY-V1-SD	5:1	600Nm	150Nm	F16	F4/Z45	F10	Φ20×6×40	Z15
	8:1		108Nm	F16	F4/Z45	F10	Φ20×6×40	Z10
	10:1		80Nm	F16	F4/Z45	F10	Φ20×6×40	Z10
	11.6:1		68Nm	F16	F4/Z45	F10	Φ20×6×40	Z10
MY-V2-SD	6:1	900Nm	200Nm	F20	F14/Z60	F14	Φ30×8×50	Z20
	8:1		150Nm	F20	F14/Z60	F14	Φ30×8×50	Z15
	10:1		125Nm	F20	F14/Z60	F10	Φ20×6×40	Z15
	13.2:1		100Nm	F20	F14/Z60	F10	Φ20×6×40	Z10
MY-V3-SD	6:1	1600Nm	350Nm	F25	F16/Z120	F14	Φ30×8×50	Z45
	8:1		244Nm	F25	F16/Z120	F14	Φ30×8×50	Z30
	10:1		230Nm	F25	F16/Z120	F14	Φ30×8×50	Z30
	17.6:1		125Nm	F25	F16/Z120	F10	Φ20×6×40	Z15
MY-V35-SD	8:1	4000Nm	600Nm	F30	F25/Z250	F16	Φ40×12×60	Z60
	10:1		542Nm	F30	F25/Z250	F16	Φ40×12×60	Z60
	15:1		366Nm	F30	F25/Z250	F14	Φ30×8×50	Z45
	18:1		300Nm	F30	F25/Z250	F14	Φ30×8×50	Z30
	20:1		270Nm	F30	F25/Z250	F14	Φ30×8×50	Z30
	23:1		250Nm	F30	F25/Z250	F14	Φ30×8×50	Z30
	10:1		800Nm	F30	F25/Z350	F25	Φ50×14×80	Z90
MY-V4-SD	15:1	6000Nm	542Nm	F30	F25/Z350	F16	Φ40×12×60	Z60
	20:1		400Nm	F35	F25/Z350	F16	Φ40×12×60	Z45
	25:1		366Nm	F35	F25/Z350	F16	Φ40×12×60	Z45
	30:1		270Nm	F35	F25/Z350	F16	Φ40×12×60	Z30
	35:1		244Nm	F35	F25/Z350	F14	Φ30×8×50	Z30
	40.5:1		230Nm	F35	F25/Z350	F14	Φ30×8×50	Z30
	10:1		1000Nm	F35	F30/Z800	F25	Φ50×14×80	Z120
MY-V5-SD	15:1	8000Nm	750Nm	F35	F30/Z800	F25	Φ50×14×80	Z90
	20:1		542Nm	F35	F30/Z800	F16	Φ40×12×60	Z60
	25:1		474Nm	F35	F30/Z800	F16	Φ40×12×60	Z60
	30:1		400Nm	F35	F30/Z800	F16	Φ40×12×60	Z45
	35:1		366Nm	F35	F30/Z800	F16	Φ40×12×60	Z45
	42.5:1		250Nm	F35	F30/Z800	F14	Φ30×8×50	Z30

# MY-V-SD

## 多回转型阀门电动装置

MY-V-SD Series Multi-turn electric gear actuator



# MY-SD-Q

## 多回转型阀门电动装置

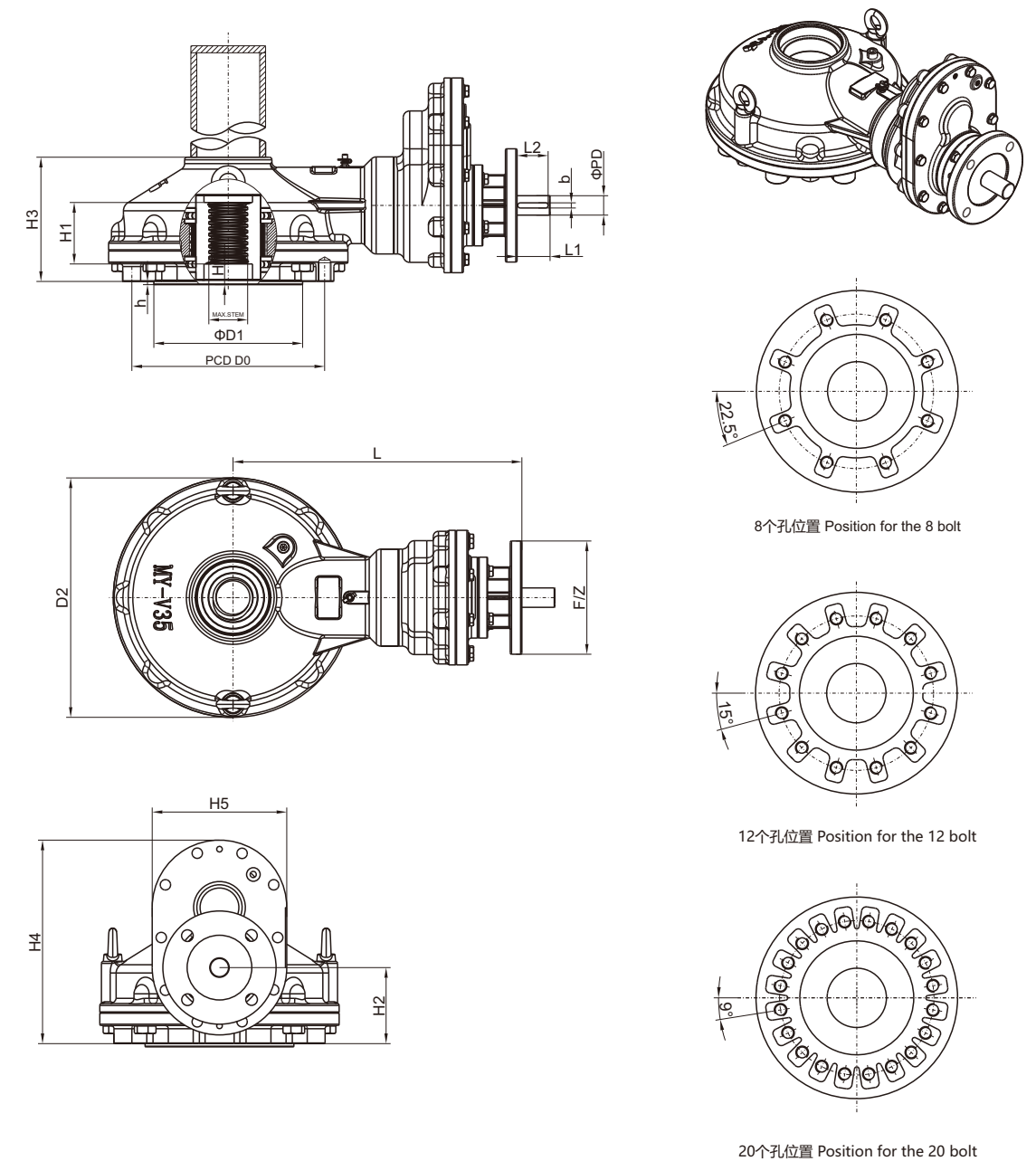
MY-SD-Q Series Multi-turn gear actuator



型号 Model	可选减速比 Optional ratio	输出力矩 Output torque N.m	输入力矩 Input torque N.m	与阀门连接法兰 Output Flange		与执行器连接法兰 Input Flange		
				ISO5211	ISO5211/ JB2920-81	ISO5210	输入轴 Input shaft	JB2920-81
MY-V6-SD	10:1	10000Nm	1355Nm	F40	F35/Z100	F25	Φ50×14×80	Z120
	15:1		845Nm	F40	F35/Z100	F25	Φ50×14×80	Z90
	20:1		645Nm	F40	F35/Z100	F25	Φ50×14×80	Z60
	25:1		542Nm	F40	F35/Z100	F16	Φ40×12×60	Z60
	30:1		474Nm	F40	F35/Z100	F16	Φ40×12×60	Z60
	35:1		400Nm	F40	F35/Z100	F16	Φ40×12×60	Z45
	46:1		310Nm	F40	F35/Z100	F14	Φ30×8×50	Z30
MY-V7-SD	15:1	18500Nm	1700Nm	F48	F40	F30	Φ60×18×90	Z180
	20:1		1355Nm	F48	F40	F25	Φ50×14×80	Z120
	25:1		1020Nm	F48	F40	F25	Φ50×14×80	Z120
	30:1		845Nm	F48	F40	F25	Φ50×14×80	Z90
	40:1		680Nm	F48	F40	F16	Φ40×12×60	Z90
	50:1		542Nm	F48	F40	F16	Φ40×12×60	Z60
	60:1		474Nm	F48	F40	F16	Φ40×12×60	Z45
	70:1		400Nm	F48	F40	F16	Φ40×12×60	Z45
	80:1		366Nm	F48	F40	F16	Φ40×12×60	Z45
	94:1		300Nm	F48	F40	F14	Φ30×8×50	Z30
MY-V8-SD	15:1	26000Nm	2500Nm	F60	F40/F48	F30	Φ60×18×90	Z250
	20:1		1700Nm	F60	F40/F48	F30	Φ60×18×90	Z180
	25:1		1355Nm	F60	F40/F48	F25	Φ50×14×80	Z120
	30:1		1290Nm	F60	F40/F48	F25	Φ50×14×80	Z120
	40:1		1020Nm	F60	F40/F48	F25	Φ50×14×80	Z120
	50:1		800Nm	F60	F40/F48	F25	Φ50×14×80	Z90
	60:1		645Nm	F60	F40/F48	F16	Φ40×12×60	Z60
	70:1		542Nm	F60	F40/F48	F16	Φ40×12×60	Z60
	80:1		500Nm	F60	F40/F48	F25	Φ50×14×80	Z60
	112:1		400Nm	F60	F40/F48	F16	Φ40×12×60	Z45
MY-V9-SD	20:1	65000Nm	4300Nm	F60	F48	F35	Φ60×18×90	Z500
	30:1		3000Nm	F60	F48	F30	Φ60×18×90	Z350
	40:1		2300Nm	F60	F48	F30	Φ60×18×90	Z250
	50:1		1700Nm	F60	F48	F30	Φ60×18×90	Z180
	60:1		1700Nm	F60	F48	F30	Φ60×18×90	Z180
	75:1		1355Nm	F60	F48	F25	Φ50×14×80	Z120
	95:1		1020Nm	F60	F48	F25	Φ50×14×80	Z120
	105:1		1020Nm	F60	F48	F25	Φ50×14×80	Z120
	130:1		800Nm	F60	F48	F25	Φ50×14×80	Z90
185:1	600Nm	F60	F48	F16	Φ40×12×60	Z60		
MY-V10-SD	20:1	100000Nm	6500Nm	F80	F60	F40	Φ70×20×100	Z650
	30:1		5000Nm	F80	F60	F35	Φ60×18×90	Z500
	45:1		3500Nm	F80	F60	F35	Φ60×18×90	Z350
	60:1		2500Nm	F80	F60	F30	Φ60×18×90	Z250
	100:1		1700Nm	F80	F60	F30	Φ60×18×90	Z180
	120:1		1355Nm	F80	F60	F25	Φ50×14×80	Z120
	145:1		1200Nm	F80	F60	F25	Φ50×14×80	Z120
	165:1		1000Nm	F80	F60	F25	Φ50×14×80	Z120
	210:1		800Nm	F80	F60	F25	Φ50×14×80	Z90
335:1	500Nm	F80	F60	F16	Φ40×12×60	Z60		

该装置是直接安装在闸阀、轨道球阀和截止阀等多回转型阀门上的手动装置，该装置采用弧齿锥齿轮和平面推力轴承组合，内置阀杆螺母采用下装结构，直接与锥齿轮连接，上下承受推力和轴向力，二级传动采用直齿减速器组合，速比可根据用户电装扭矩和转速需求调整，电装输入接盘可做ISO5210/JB/2920-81标准接盘。产品运转平稳、扭矩大、噪音小、效率高的优点。常规产品防护等级为IP65，特殊情况下可做IP67、IP68或者浸没水下使用。阀杆罩可根据用户需求定制。

The device is a manual device directly installed on multi turn valves such as gate valve, track ball valve and stop valve. The device adopts the combination of spiral bevel gear and plane thrust bearing. The built-in valve stem nut adopts the lower structure, which is directly connected with the bevel gear disc, and bears thrust and axial force up and down. The secondary transmission adopts the combination of straight tooth reducer. The speed ratio can be adjusted according to the user's electric installation torque and speed requirements, and the electric installation input adapter can be used as iso5210 / JB / 2920-81 standard adapter. The product has the advantages of stable operation, large torque, low noise and high efficiency. The protection grade of conventional products is IP65. Under special circumstances, it can be used as IP67, IP68 or submerged underwater. The valve stem cover can be customized according to user requirements.





# MY-SD-Q

多回转型阀门电动装置  
MY-SD-Q Series Multi-turn gear actuator



# MY-SD-Q

多回转型阀门电动装置  
MY-SD-Q Series Multi-turn gear actuator



型号 Model	MY-V0 -SD-Q	MY-V1 -SD-Q	MY-V2 -SD-Q	MY-V3 -SD-Q	MY-V35 -SD-Q	MY-V4 -SD-Q	MY-V5 -SD-Q	MY-V6 -SD-Q	MY-V7 -SD-Q	MY-V8 -SD-Q	MY-V9 -SD-Q	MY-V10 -SD-Q
----------	----------------	----------------	----------------	----------------	-----------------	----------------	----------------	----------------	----------------	----------------	----------------	-----------------

### 技术参数 TECHNICAL-PARAMETERS

最大转矩 Max-torque	N·m	480	600	1491	1600	4000	6000	8000	12500	23000	35000	65000	100000
	KN	123	140	186	215	385	430	560	2100	3500	4600	6800	8650
最大阀杆直径 Max-stem dia. Mm		40	52	60	65	75	95	105	130	145	160	180	200

### 连接尺寸 CONNECTION-SIZE

法兰号 FLANGE	F14	F16	F16	F25	F30	F35	F35	F40	F48	F60	F60	F80	
法兰外圆 (D)	175	210	210	300	350	415	415	475	560	686	686	900	
连接孔中心 PCD	D0	140	165	165	254	298	356	356	406	483	603	603	800
	N-H-DP	4-M16-24	4-M20-30	4-M20-30	8-M16-24	8-M20-35	8-M30-45	8-M30-45	8-M36-54	12-M36-54	20-M36-54	20-M36-54	20-M42-65
凸面Convex (D1×h)	100×4	130×5	130×5	200×5	230×5	260×5	260×5	300×8	370×8	470×8	470×8	650×8	

### 外形尺寸 APPEARANCE-SIZE

D2	175	210	300	300	370	415	475	545	560	686	800	934
H	10	10	10	10	16	20	20	20	20	20	10	10
H1	60	65	75	75	95	115	130	170	190	210	220	260
H2	73	86.5	88.5	88.5	117.5	160	173	205	225	228	233	325.5
H3	114	135	152	152	192	249	265	330	329	343	398	535.5
H4	223	236.5	267.5	267.5	314.5	388	401	433	535	538	797	965.5
H5	160	160	190	190	208	240	240	240	320	320	440	560
L	321	335	365	378	446.5	524	529	549	641.5	681.5	782	858
F/Z	F10	F14	F14	F14	F14	F14	F14	F14	F16	F16	F25	F25

型号 Model	减速比 ratio	输出力矩 Output torque N.m	输入力矩 Input torque N.m	与阀门连接法兰 Output Flange		与执行器连接法兰 Input Flange		与执行器连接法兰 Input Flange
				标准输出法兰 Standard output flange	可选输出法兰 Optional output flange	输入法兰 (ISO5210) Input flanges (ISO5210)	输入轴 Input shaft	输入法兰 (JB 2920-81) Input flange (JB 2920-81)

MY-V0-SD-Q	5:1	450Nm	102Nm	F14	F12/Z30	F10	Φ20x6x40	2号法兰
	6:1		90Nm	F14	F12/Z30	F10	Φ20x6x40	2号法兰
	8:1		80Nm	F14	F12/Z30	F10	Φ20x6x40	2号法兰
	9.7:1		68Nm	F14	F12/Z30	F10	Φ20x6x40	2号法兰
MY-V1-SD-Q	5:1	600Nm	150Nm	F16	F14/Z45	F10	Φ20x6x40	2号法兰
	8:1		108Nm	F16	F14/Z45	F10	Φ20x6x40	2号法兰
	10:1		80Nm	F16	F14/Z45	F10	Φ20x6x40	2号法兰
	11.6:1		68Nm	F16	F14/Z45	F10	Φ20x6x40	2号法兰
MY-V2-SD-Q	6:1	900Nm	176Nm	F20	F16/Z60	F14	Φ30x8x50	3号法兰
	8:1		150Nm	F20	F16/Z60	F14	Φ30x8x50	2号法兰
	10:1		108Nm	F20	F16/Z60	F10	Φ20x6x40	2号法兰
	13.2:1		80Nm	F20	F16/Z60	F10	Φ20x6x40	2号法兰
MY-V3-SD-Q	6:1	1600Nm	300Nm	F25	F16/Z120	F14	Φ30x8x50	3号法兰
	8:1		244Nm	F25	F16/Z120	F14	Φ30x8x50	3号法兰
	10:1		200Nm	F25	F16/Z120	F14	Φ30x8x50	3号法兰
	17.6:1		108Nm	F25	F16/Z120	F10	Φ20x6x40	2号法兰
MY-V35-SD-Q	8:1	4000Nm	600Nm	F30	F25/Z250	F25	Φ40x12x60	4号法兰
	10:1		474Nm	F30	F25/Z250	F16	Φ40x12x60	4号法兰
	15:1		300Nm	F30	F25/Z250	F14	Φ30x8x50	3号法兰
	20:1		250Nm	F30	F25/Z250	F14	Φ30x8x50	3号法兰
MY-V4-SD-Q	23:1	6000Nm	203Nm	F30	F25/Z250	F14	Φ30x8x50	3号法兰
	10:1		750Nm	F35	F30/Z800	F25	Φ40x12x60	5号法兰
	15:1		474Nm	F35	F30/Z800	F16	Φ40x12x60	4号法兰
	20:1		366Nm	F35	F30/Z800	F16	Φ40x12x60	3号法兰
	28:1		270Nm	F35	F30/Z800	F16	Φ40x12x60	3号法兰
	30:1		244Nm	F35	F30/Z800	F14	Φ30x8x50	3号法兰
MY-V5-SD-Q	38:1	8000Nm	203Nm	F35	F30/Z800	F14	Φ30x8x50	3号法兰
	10:1		1020Nm	F35	F30/Z800	F25	Φ50x14x80	5号法兰
	15:1		645Nm	F35	F30/Z800	F25	Φ50x14x80	4号法兰
	18:1		542Nm	F35	F30/Z800	F16	Φ40x12x60	4号法兰
	20:1		474Nm	F35	F30/Z800	F16	Φ40x12x60	4号法兰
	26:1		366Nm	F35	F30/Z800	F16	Φ40x12x60	3号法兰
38:1	250Nm	F35	F30/Z800	F14	Φ30x8x50	3号法兰		

# MY-SD-Q

多回转型阀门电动装置  
MY-SD-Q Series Multi-turn gear actuator



# MY-V-D

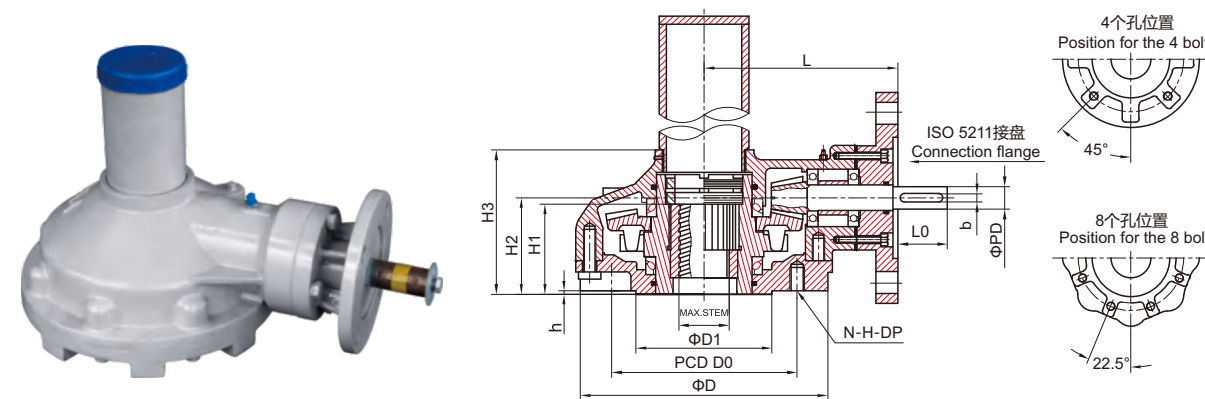
多回转型阀门电动装置  
MY-V-D Series Multi-turn electric gear actuator



型号 Model	减速比 ratio	输出力矩 Output torque N.m	输入力矩 Input torque N.m	与阀门连接法兰 Output Flange		与执行器连接法兰 Input Flange		与执行器连接法兰 Input Flange
				标准输出法兰 Standard output flange	可选输出法兰 Optional output flange	输入法兰 (ISO5210) Input flanges (ISO5210)	输入轴 Input shaft	
MY-V6-SD-Q	10:1	14500Nm	1700Nm	F40	F35/Z100	F25	Φ50x14x80	7号法兰
	15:1		1200Nm	F40	F35/Z100	F25	Φ50x14x80	5号法兰
	20:1		900Nm	F40	F35/Z100	F16	Φ40x12x60	5号法兰
	36:1		474Nm	F40	F35/Z100	F16	Φ40x12x60	4号法兰
	43:1		400Nm	F40	F35/Z100	F16	Φ40x12x60	4号法兰
MY-V7-SD-Q	15:1	23000Nm	1800Nm	F48	F40	F30	Φ60x18x90	7号法兰
	20:1		1355Nm	F48	F40	F25	Φ50x14x80	5号法兰
	27:1		1020Nm	F48	F40	F25	Φ50x14x80	5号法兰
	40:1		680Nm	F48	F40	F16	Φ40x12x60	4号法兰
	60:1		474Nm	F48	F40	F16	Φ40x12x60	4号法兰
MY-V8-SD-Q	15:1	35000Nm	3000Nm	F60	F40/F48	F30	Φ60x18x90	8号法兰
	22:1		1800Nm	F60	F40/F48	F30	Φ60x18x90	7号法兰
	30:1		1355Nm	F60	F40/F48	F25	Φ50x14x80	5号法兰
	40:1		1020Nm	F60	F40/F48	F25	Φ50x14x80	5号法兰
	64:1		645Nm	F60	F40/F48	F16	Φ40x12x60	4号法兰
MY-V9-SD-Q	20:1	65000Nm	4000Nm	F60	F48	F35	Φ60x18x90	8号法兰
	25:1		3000Nm	F60	F48	F30	Φ60x18x90	8号法兰
	30:1		2500Nm	F60	F48	F30	Φ60x18x90	7号法兰
	43:1		1800Nm	F60	F48	F25	Φ50x14x80	7号法兰
	64:1		1200Nm	F60	F48	F25	Φ50x14x80	5号法兰
MY-V10-SD-Q	23:1	100000Nm	5000Nm	F80	F60	F40	Φ70x20x100	8号法兰
	34:1		3500Nm	F80	F60	F35	Φ60x18x90	8号法兰
	47:1		2500Nm	F80	F60	F30	Φ60x18x90	7号法兰
	65:1		1800Nm	F80	F60	F30	Φ60x18x90	7号法兰
	86:1		1355Nm	F80	F60	F25	Φ50x14x80	5号法兰
105:1	1200Nm	F80	F60	F25	Φ50x14x80	5号法兰		

该装置是直接安装在闸阀、蝶阀、旋塞阀和截止阀等阀门上的电动装置，该装置采用弧齿锥齿轮和平面推力轴承，有运转平稳、扭矩大、噪音小、效率高的优点。在所有的结合部，采用了密封垫全密封处理，达到了防水、防油漏的效果，防护等级为IP65。结合各类阀门使用要求及环境，还有单级带电连接、双级带电连接、双级手轮驱动等产品。

This bevel gearbox can be installed directly on the gate valves, butterfly valves, plug valves, globe valves and other valves. By using spiral bevel gears and thrust ball bearing, this series actuator can run smoothly, and has high output torque, low noise and high efficiency. It can avoid from water in and grease out. Protection grade is IP65. For special environment can be done IP68 and immersion. For different valves and requirement, there are single stage gearboxes with input flange, two stage gearboxes with input flange, two stage manual gearboxes and so on.



型号 Model	MY-V10-D	MY-V9-D	MY-V8-D	MY-V7-D	MY-V6-D	MY-V5-D	MY-V4-D	MY-V35-D	MY-V3-D	MY-V2-D	MY-V1-D	MY-V0-D	MY-V20-D	MY-V10-D	
技术参数 TECHNICAL-PARAMETERS															
可选速比 Ratio	2.3:1	2.35:1	3.1:1	3.6:1	4:1	4.1:1	4.5:1	5:1	5:1	5:1	5:1	6.5:1	7:1	5.5:1	
传动效率Transmission efficiency M.A. ±10%	0.85	0.85	0.85	0.85	0.85	0.85	0.85	0.85	0.85	0.85	0.85	0.85	0.85	0.85	
最大转矩Max-torque N·m	216	363	480	600	900	1600	4000	6000	8000	10000	18500	28000	65000	100000	
最大阀杆直径 Max stem dia. mm	20	25	35	40	52	60	70	90	100	120	130	150	180	200	
参考重量 Weight Kg	10	12	21.5	28	35	50	95.5	160	190	288	390	565	980	1300	
连接尺寸 CONNECTION-SIZE															
与阀门连接法兰号 JB2920-81 Flange No. connection with valve	1号法兰 Flange No.1	1号法兰 Flange No.1	2号法兰 Flange No.2	3号法兰 Flange No.3	4号法兰 Flange No.4	5号法兰 Flange No.5	7号法兰 Flange No.7	8号法兰 Flange No.8	8号法兰 Flange No.8	9号法兰 Flange No.9	10号法兰 Flange No.10				
法兰号 FLANGE	F10	F12	F14	F16	(F20)	F25	F30	F35	F35	F40	F48	F60	F60	F80	
法兰外圆(D)	125	150	175	210	250	300	350	415	415	475	560	686	686	900	
连接孔中心 PCD	102	125	140	165	205	254	298	356	356	406	483	603	603	813	
凸面 Convex (D1×h)	70×3	85×3	100×4	130×4	140×5	200×5	230×5	260×5	260×5	300×8	370×8	470×8	470×8	670×10	
与电装连接 Input Shaft	PD×b(key) LO	20×6 45	20×6 45	30×8 50	30×8 50	30×8 50	40×12 60	40×12 65	45×14 65	45×14 65	50×14 70	50×14 80	60×18 80	70×20 100	
与电装连接法兰号 JB2920-81 Input flange size	1号法兰 Flange No.1	1号法兰 Flange No.1	2号法兰 Flange No.2	3号法兰 Flange No.3	4号法兰 Flange No.4	4号法兰 Flange No.4	5号法兰 Flange No.5	7号法兰 Flange No.7	7号法兰 Flange No.7	8号法兰 Flange No.8	8号法兰 Flange No.8	9号法兰 Flange No.9	10号法兰 Flange No.10	10号法兰 Flange No.10	
外形尺寸 APPEARANCE-SIZE															
H1	38	46	55	62	75	85	105	120	145	165	195	200	285	355	
H2	65	70	70	75	90	100	140	160	155	210	220	250	245	330	
H3	110	125	128	145	160	170	225	280	280	335	360	380	410	540	
L	160	175	200	220	248	265	320	325	395	405	430	480	680	720	
伞齿轮与电装组合参数 BEVEL GEAR COMBINATION OF PARAMETERS AND ELECTRICAL EQUIPMEN															
电装参数 Electrical Parameters	输入力矩 Torque Nm	108	142	176	203	298	474	950	1020	1490	1700	3500	5000	10000	12000
	转速 Speed r/min	36	36	36	36	24/48	24/36/48	24/36/48	24/36/48	24/36	24/36	24	24	24	24
	接盘 JB2920-81	Z10	Z15	Z20	Z20	Z30	Z45	Z90	Z120	Z180	Z180	Z350	Z500	Z1000	Z1200
	接盘 Connection flange	F10	F10	F10/F14	F10/F14	F14/F16	F14/F16	F16/F25	F16/F25	F25/F30	F25/F30	F25/F30	F30/F35	F35/F40	F35/F40
伞齿轮参数 Parameters of bevel gear	输出力矩 Output Torque Nm	185	375	480	600	900	1600	3700	6000	8000	10000	18200	28000	42500	47000



# MY-V-D-Q

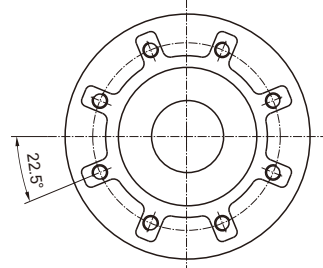
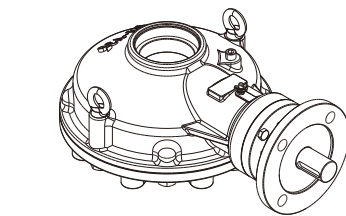
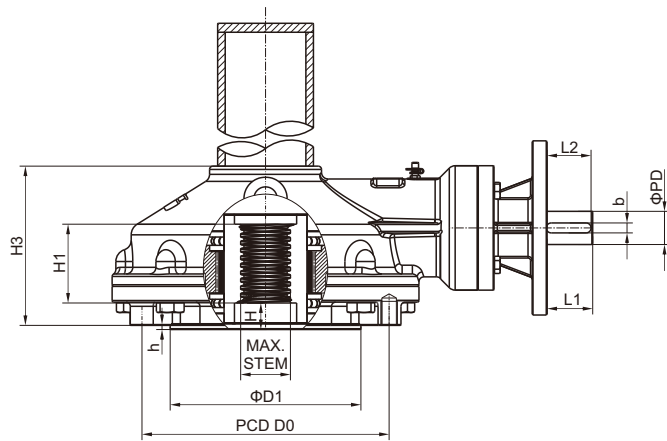
## 多回转型阀门电动装置

MY-V-D-Q Series Multi-turn electric gear actuator

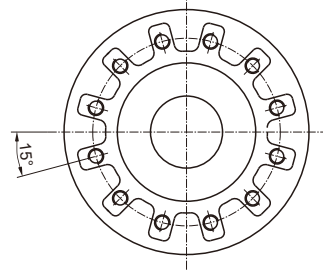
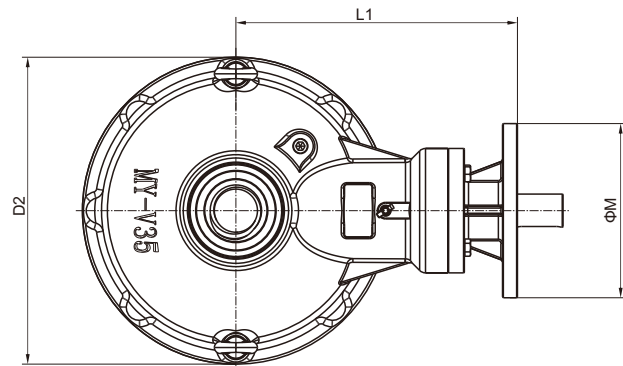


该装置是直接安装在闸阀、轨道球阀和截止阀等多回转型阀门上的手动装置，该装置采用弧齿锥齿轮和平面推力轴承组合，内置阀杆螺母采用下装结构，直接与锥齿轮连接，上下承受推力和轴向力，电装输入接盘可做ISO5210/JB/2920-81标准接盘。产品运转平稳、扭矩大、噪音小、效率高的优点。常规产品防护等级为IP65，特殊情况下可做IP67、IP68或者浸没水下使用。阀杆罩可根据用户需求定制。

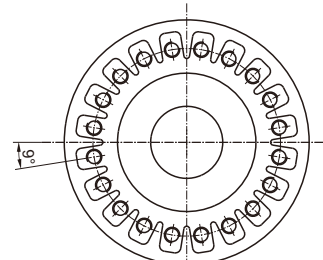
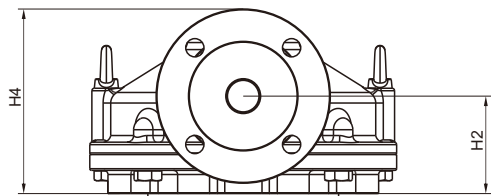
The device is a manual device directly installed on multi turn valves such as gate valve, track ball valve and stop valve. The device adopts the combination of spiral bevel gear and plane thrust bearing. The built-in valve stem nut adopts the lower mounting structure, which is directly connected with the bevel gear disc, and bears thrust and axial force up and down. The electric input adapter can be used as iso5210 / JB / 2920-81 standard adapter. The product has the advantages of stable operation, large torque, low noise and high efficiency. The protection grade of conventional products is IP65. Under special circumstances, it can be used as IP67, IP68 or submerged underwater. The valve stem cover can be customized according to user requirements.



Position for the 8 bolt 8个孔位置



Position for the 12 bolt 12个孔位置



Position for the 20 bolt 20个孔位置

# MY-V-D-Q

## 多回转型阀门电动装置

MY-V-D-Q Series Multi-turn electric gear actuator



型号 Model	MY-V0 -D-Q	MY-V1 -D-Q	MY-V2 -D-Q	MY-V3 -D-Q	MY-V35 -D-Q	MY-V4 -D-Q	MY-V5 -D-Q	MY-V6 -D-Q	MY-V7 -D-Q	MY-V8 -D-Q	MY-V9 -D-Q	MY-V10 -D-Q
----------	---------------	---------------	---------------	---------------	----------------	---------------	---------------	---------------	---------------	---------------	---------------	----------------

### 技术参数 TECHNICAL-PARAMETERS

可选速比 Ratio	3.1:1	3.6:1	4.1:1	4.1:1	5.2:1	5.6:1	6.3:1	7:1	6.5:1	7 1	5:1	5.5 1	
传动效率	0.9	0.9	0.9	0.9	0.9	0.9	0.9	0.9	0.9	0.9	0.9	0.9	
最大转矩 Max-torque	N·m	480	600	1491	1600	4000	6000	8000	12500	23000	35000	65000	100000
	KN	123	140	186	215	385	430	560	2100	3500	4600	6800	8650
最大阀杆直径 Max-stem dia. Mm	40	52	60	65	75	95	105	130	145	160	180	200	

### 连接尺寸 CONNECTION-SIZE

与阀门连接法兰号 JB2920-81	2号法兰 Flange No.2	3号法兰 Flange No.3	4号法兰 Flange No.4	5号法兰 Flange No.5	7号法兰 Flange No.7	8号法兰 Flange No.8	8号法兰 Flange No.8	9号法兰 Flange No.9	10号法兰 Flange No.10			
法兰号 FLANGE	F14	F16	F16	F25	F30	F35	F35	F40	F48	F60	F60	F80
法兰外圆 (D)	175	210	210	300	350	415	415	475	560	686	686	900
连接孔中心 PCD	D0	140	165	165	254	298	356	356	406	483	603	800
	N-H-DP	4-M16-24	4-M20-30	4-M20-30	8-M16-24	8-M20-30	8-M30-45	8-M30-45	8-M36-54	12-M36-54	20-M36-54	20-M42-63
凸面 Convex (D1×h)	100×4	130×5	130×5	200×5	230×5	260×5	260×5	300×8	370×8	470×8	470×8	650×8
与电装连接 And electrical equipment connected	Pd×b (key)	30×8	30×8	30×8	40×12	45×14	50×14	50×14	50×14	55×16	60×18	70×20
	L1	50	50	50	60	65	65	65	70	80	80	100
	L2	47	47	47	57	62	62	62	67	77	77	97
与电装连接法兰号 JB2920-81	2号法兰 Flange No.2	3号法兰 Flange No.3	3号法兰 Flange No.3	4号法兰 Flange No.4	5号法兰 Flange No.5	7号法兰 Flange No.7	7号法兰 Flange No.7	8号法兰 Flange No.8	8号法兰 Flange No.8	9号法兰 Flange No.9	10号法兰 Flange No.10	10号法兰 Flange No.10

### 外形尺寸 APPEARANCE-SIZE

D2	175	210	300	300	370	415	475	545	560	686	800	934
H	10	10	10	10	16	20	20	20	20	20	10	10
H1	60	65	75	75	95	115	130	170	190	210	220	260
H2	73	86.5	88.5	88.5	117.5	160	173	205	225	228	233	325.5
H3	114	135	152	152	192	249	265	330	329	343	398	535.5
H4	160.5	174	267.5	193	222.5	310	323	380	462.5	465.5	470.5	563
L	194	212	246	269	339.5	332	336	370	426.5	466.5	572	637

### 伞齿轮与电装组合参数 BEVEL GEAR COMBINATION OF PARAMETERS AND ELECTRICAL EQUIPMEN

电装参数	输入力矩 Torque Nm	150	176	350	400	900	1200	1450	2000	4000	5000	10000	10000
	转速 Speed r/min	36	36	36	24/36/48	24/36/48	24/36/48	24/36	24/36	24	24	24	24
	接盘 F	F14	F14	F14	F16	F16	F25	F25	F30	F30	F40	F40	F40
伞齿轮参数	输出力矩 Torque Nm	405	570	1260	1440	4000	6000	8000	12600	23400	31500	45000	49500

# YZ-ZC-D

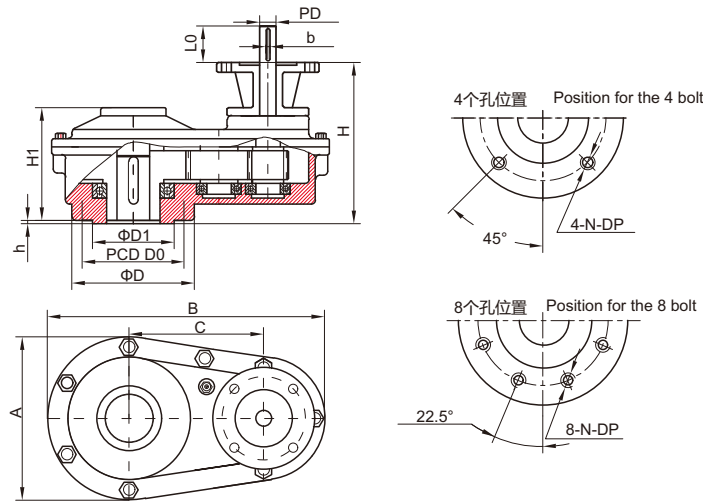
## 多回转型阀门电动装置

YZ-ZC-D Series Multi-turn electric gear actuator



该系列是一款360°全回转电动驱动装置。主要结合各种电装配套使用，速比可根据开阀时间选配，常用于各类管网式阀门。适用于闸阀、蝶阀、旋塞阀、截止阀，三通球阀、等阀门。箱体采用精密铸造，样式新颖，外形美观。直齿轮传动，使用推力轴承和深沟球轴承结合，传动更加灵活，效率高。齿齿轮与阀门阀杆连接部分有实体和内置螺母两款供客户选择，法兰采用ISO5211国际标准和JB2920-81标准，与阀门配套更加方便。防护等级为IP65.特殊环境还可做到IP68以及浸没模式。

This series gearboxes are 360 degree multi-turn operator with input flange. Mainly cooperate with electric actuators. Ratio can be customized according to the valves' open time. Vertical open the valve is achievable. Used in gate valves, butterfly valves, plug valves, globe valves, three-way ball valves and other valves. The housing made by precise casting, new design, nice appearance. Using by spur gear transmission, combination of thrust bearing and deep groove ball bearing, this series actuator can run smoothly, and has high output torque, low noise and high efficiency. Two connection types for choose: stem and key connection and removable nut type. Can produce based type gearboxes used in damper valves. The output mounting flange adapts to ISO 5211. So the gearboxes installed on the valve are very convenient. Input flange adapts to ISO 5211, JB2920-81 etc. General products protection grade is IP65. For special environment can be done IP68 and immersion.



型号 Model	YZ-ZC-1-D	YZ-ZC-2-D	YZ-ZC-3-D	YZ-IS-11	YZ-ZC-4-D	YZ-ZC-5-D	YZ-IS-16	YZ-ZC-6-D	YZ-ZC-7-D
----------	-----------	-----------	-----------	----------	-----------	-----------	----------	-----------	-----------

### 技术参数 TECHNICAL-PARAMETERS

标准速比 Standard Ratio	3:1	6:1	9:1	4:1	12:1	14:1	10:1	21:1	24:1
可选速比 Optional ratio	2.5:1	3:1	4:1/6:1	6:1/12.5:1	6:1/9:1	6:1/10:1	6:1/15:1	9:1/15:1	10:1/20:1
最大输出扭矩 Output torque N.m	600	2100	4400	7000	9500	11000	13000	15000	23000
传动效率 Transmission efficiency M.A.±10%	0.9	0.9	0.9	0.9	0.9	0.9	0.9	0.9	0.9

### 连接尺寸 CONNECTION-SIZE

法兰号 Flange	F12	F14	F16	F30	F25	F30	F40	F40	F48
法兰外圆(D)	150	175	210	350	300	350	475	475	560
连接孔中心PCD	D0	125	140	165	298	254	298	406	406
	N-H-DP	4-M12-18	4-M16-24	4-M20-30	8-M20-30	8-M16-24	8-M20-30	8-M36-54	8-M36-54
凸面 Convex (D1×h)	85×3	100×4	130×5	230×5	200×5	230×5	300×8	300×8	370×8
	最大阀杆	mm (Φd) Max-Stem-Diameter	38	50	60	85	70	80	100
	mm (Tr) Max-Stem-Diameter	10×8	14×9	18×11	22×14	20×12	22×14	28×16	28×16
电装连接 Electrical equipment connect	PD×b(key)	20×6	30×8	40×12	50×14	40×12	50×14	50×14	50×14
	L0	45	55	60	80	60	80	80	90

### 外形尺寸 APPEARANCE-SIZE

A	200	225	280	410	380	440	550	560	795
B	340	375	460	655	645	785	920	920	1275
C	165	190	235	357	318	395	450	450	680
H	195	230	235	341	255	305	350	350	500
H1	138	185	200	263	236	328	285	285	430

### 齿轮箱与电装组合参数 COMBINATION OF WORM GEAR BOX AND ELECTRICAL EQUIPMENT PARAMETERS

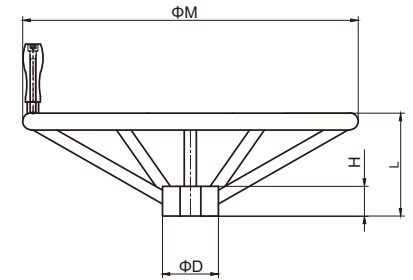
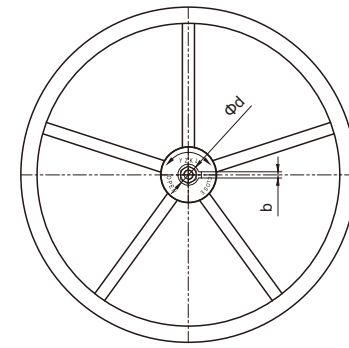
电装参数 Electrical Parameters	力矩 Torque Nm	200	300	600	1800	900	1200	1450	1200	1200
	转速 Speed r/min	24	24	24	24	24	24	24	24	24
接盘 ISO5210/GB2920-81	F10/DZW 20A	F14/DZW 30A	F14/DZW 60A	F25/DZW 250	F16/DZW 90I	F25/DZW 120	F30/DZW 250	F25/DZW 120	F25/DZW 120	F25/DZW 120

齿轮箱参数	输出力矩 Torque Nm	540	1600	3645	6480	8600	11000	1000	15000	23000
-------	----------------	-----	------	------	------	------	-------	------	-------	-------

# MY-YZ

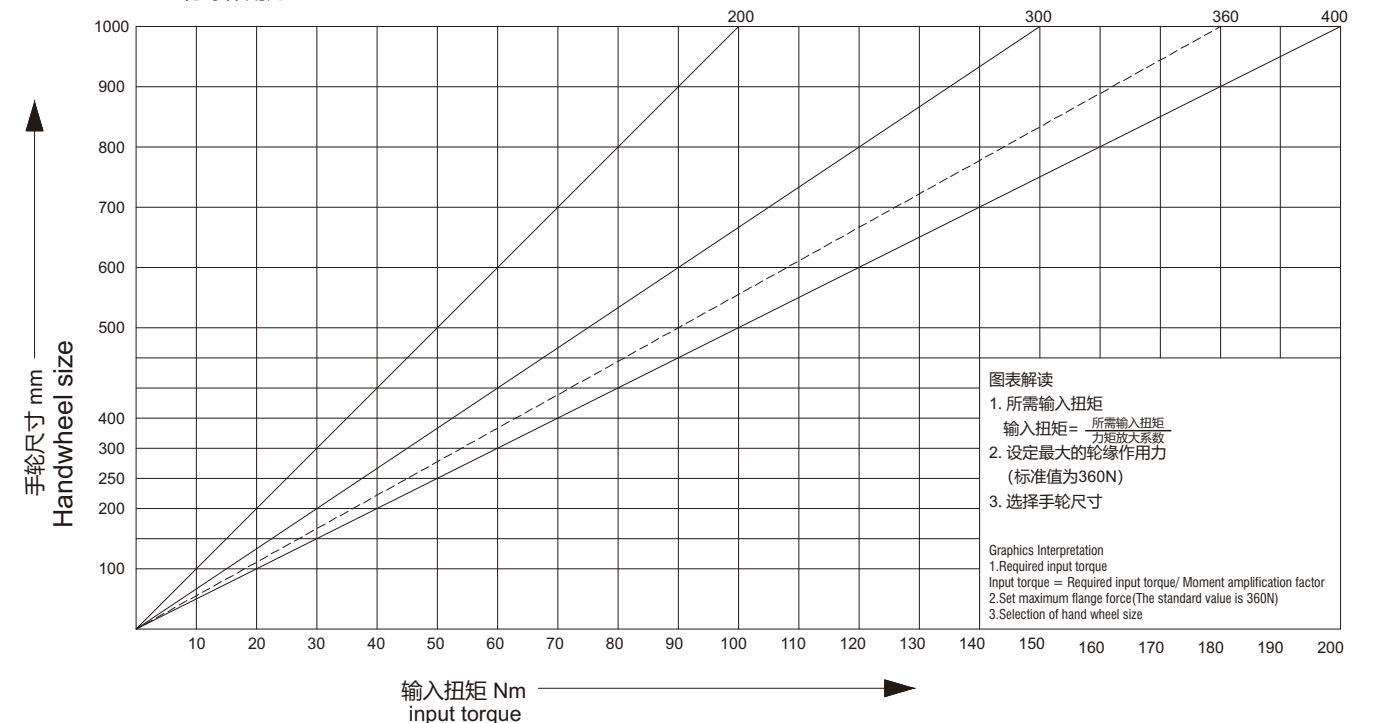
## 手轮尺寸

MY-YZ Handwheel size



ΦM	160	200	250	300	350	400	450	500	600	650	700	750	800	850	900	950	1000
ΦD	35	35	35	50	50	55	55	55	55	60	60	70	70	75	75	80	80
Φd	15	15	15	21	21	28	28	28	28	32	32	38	38	45	45	50	50
b	5	5	5	6	6	8	8	8	8	10	10	10	10	12	12	14	14
L	50	50	90	90	90	90	90	100	100	200	200	200	200	200	200	200	200
H	32	32	32	36	36	46	46	46	46	61	61	61	61	61	61	61	61

### 轮缘作用力 Rim Force N



# YZ-XT-S

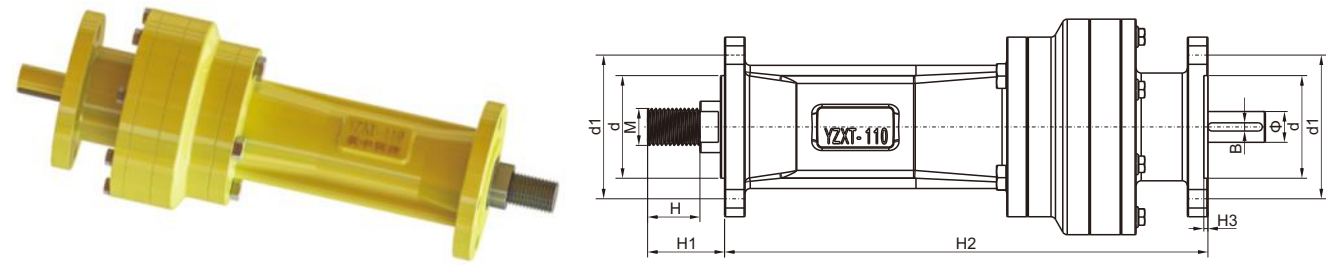
## 直行程线性推力器

YZ-XT-S Series Straight stroke linear thruster



该系列是将执行器多回转矩转换成直线推力的一种转换装置，通过螺杆螺母的传动，螺杆上装有承受推力的平面轴承，能承受双向推力载荷，外壳采用整体铸造，内部丝杠螺母采用抗咬死特殊材料，在高温、低温条件下都具有极好性能的合金，它具有传动效率高，耐磨等特点。内部推杆和推座采用活塞结构，配合间隙小，具有很好的直线度，对控制调节阀及直线度要求高的频繁调节使用的调节阀具有显著的效果。该产品内部采用防水、防尘结构，最高可达IP68要求，适应各种环境下使用。

This series is a kind of conversion device that converts the multi rotation torque of the actuator into linear thrust. Through the transmission of screw nut, the screw is equipped with plane bearing thrust, which can bear bidirectional thrust load. The shell is made of integral casting, and the internal screw nut is made of special anti seizing material. The alloy has excellent performance under high and low temperature conditions. It has high transmission efficiency And wear resistance. The internal push rod and push seat adopt piston structure, with small clearance and good straightness, which has significant effect on controlling control valve and frequently used control valve with high straightness requirements. The product adopts waterproof and dustproof structure, which can meet the requirements of IP68, and can be used in various environments.



型号	输入法兰	输出法兰	推杆螺纹	螺距 (mm)	输入力矩 (Nm)	最大推力 (KN)	最大行程
YZ-XT-12.1	F10	F10	Tr26X5-LH	5	30	11.5	50/100/ 150/200/400
YZ-XT-25.1	F10	F10	Tr26X5-LH	5	60	23	50/100/ 150/200/400
YZ-XT-50.1	F10	F10	Tr32X6-LH	6	125	37	50/100/ 150/200/400
YZ-XT-70.1	F14	F14	Tr40X7-LH	7	250	64	60/110/160/ 260/320/400
YZ-XT-100.1	F14	F14	Tr40X7-LH	7	500	128	60/110/160/ 260/320/400
YZ-XT-200.1	F16	F16	Tr52X8-LH	8	1000	217	60/110/160/ 260/320/400
YZ-XT-50.1-S	F10	F10	Tr32X6-LH	6	50	39	50/100/ 150/200/400
YZ-XT-70.1-S	F10	F14	Tr40X7-LH	7	80	64	60/110/160/ 260/320/400
YZ-XT-100.1-S	F14	F14	Tr40X7-LH	7	150	128	60/110/160/ 260/320/400
YZ-XT-200.1-S	F14	F16	Tr52X8-LH	8	400	217	60/110/160/ 260/320/400

# YZ-XT

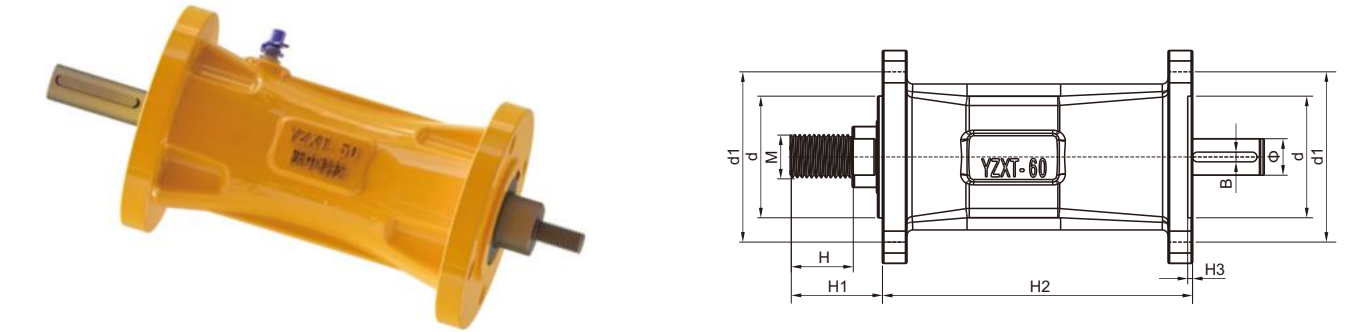
## 直行程线性推力器

YZ-XT Series Straight stroke linear thruster



该系列是将执行器多回转矩转换成直线推力的一种转换装置，通过螺杆螺母的传动，螺杆上装有承受推力的平面轴承，能承受双向推力载荷，外壳采用整体铸造，内部丝杠螺母采用抗咬死特殊材料，在高温、低温条件下都具有极好性能的合金，它具有传动效率高，耐磨等特点。内部推杆和推座采用活塞结构，配合间隙小，具有很好的直线度，对控制调节阀及直线度要求高的频繁调节使用的调节阀具有显著的效果。该产品内部采用防水、防尘结构，最高可达IP68要求，适应各种环境下使用。

This series is a kind of conversion device that converts the multi rotation torque of the actuator into linear thrust. Through the transmission of screw nut, the screw is equipped with plane bearing thrust, which can bear bidirectional thrust load. The shell is made of integral casting, and the internal screw nut is made of special anti seizing material. The alloy has excellent performance under high and low temperature conditions. It has high transmission efficiency And wear resistance. The internal push rod and push seat adopt piston structure, with small clearance and good straightness, which has significant effect on controlling control valve and frequently used control valve with high straightness requirements. The product adopts waterproof and dustproof structure, which can meet the requirements of IP68, and can be used in various environments.



规格	行程	最大推力 (KN)	H	H1	H2	d	d1	Φ×B	M	输入输出法兰
YZ-XT-12.1	50/100/150/200/400	11.5	25	55	195/245/315/364/665	70	102	Φ20×6	12×1.25	F10/F10
YZ-XI-25.1	50/100/150/200/400	23	29	60	195/245/315/364/665	70	102	Φ20×6	16×1.5	F10/F10
YZ-XT-50.1	50/100/150/200/400	39	34	65	195/245/315/364/665	70	102	Φ20×6	20×1.5	F10/F10
YZ-XT-70.1	60/110/160/260/320/400	64	51	74	255/295/365/495/695	100	140	Φ30×8	36×3	F14/F14
YZ-XT-100.1	60/110/160/260/320/400	128	51	74	255/295/365/495/695	100	140	Φ30×8	36×3	F14/F14
YZ-XT-200.1	60/110/160/260/320/400	217	60	90	260/310/395/585/625/765	130	165	Φ40×12	42×3	F16/F16
YZ-XT-70.1-S	60/110/160/260/320/400	64	51	74	430/470/540/670/870	100	140	Φ30×8	36×3	F10/F14
YZ-XT-100.1-S	60/110/160/200/320/400	128	51	74	480/470/540/670/870	100	140	Φ30×8	36×3	F14/F14
YZ-XT-200.1-S	60/110/160/260/320/400	217	60	90	460/510/595/735/825/965	130	165	Φ40×12	42×3	F14/F16



