

ZHX

消防阀门信号手动装置

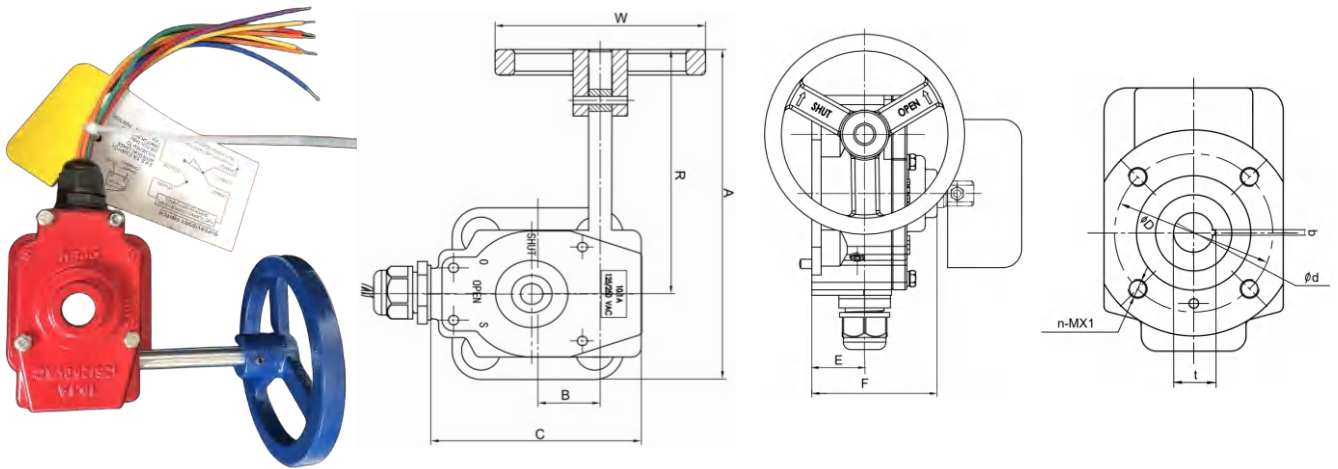
ZHX Series quarter turn manual gear actuator



YOYAGE
耀远

该系列是一款90°部分回转消防阀门信号手动驱动装置。适用于球阀、蝶阀等消防阀门。箱体采用精密铸造，样式新颖，外形美观。采用蜗轮蜗杆传动，搭载微动开关，E211048认证电线，传动信号精准。传动更加灵活，效率高。法兰全部采用ISO5211国际标准，与阀门配套更加方便。采用密封垫全密封处理防水防油漏，防护等级为IP67。

This series is a 90 ° partial rotary fire valve signal manual drive. Apply to ball valve, butterfly valve and other fire valves. The box body adopts precision casting, novel style and beautiful appearance. Adopt worm and worm drive, carry microswitch, E211048 certified wire, transmission signal is accurate. More flexible transmission, high efficiency. Flanges all use ISO5211 international standards, and valve supporting more convenient. Water and oil leakage is treated with full sealing gasket with Ip67.



型号 Model	ZHX07	ZHX07-1	ZHX20	ZHX40
----------	-------	---------	-------	-------

技术参数 TECHNICAL-PARAMETERS

速比 Ratio	40:1	40:1	40:1	60:1
输出力矩 Output-torque N.M	270	270	590	900
轴孔 Bore(d)	24	24	24	32

连接尺寸 CONNECTION-SIZE

法兰号FLANGE(Φ)	F07	F07	F10	F12
连接孔中心 PDC(D)	70	70	102	125
孔数-螺栓 Bolt(N-M)	4xM8-12	4xM8-12	4xM10-15	4xM12-18

外形尺寸 APPEARANCE-SIZE

A	169	169	213	306
B	32	32	50	68
C	108	108	138	165
E	28.5	28.5	34	39
F	68.5	68.5	71.8	78.5
R	125	125	166	240
W	108	125	150	250