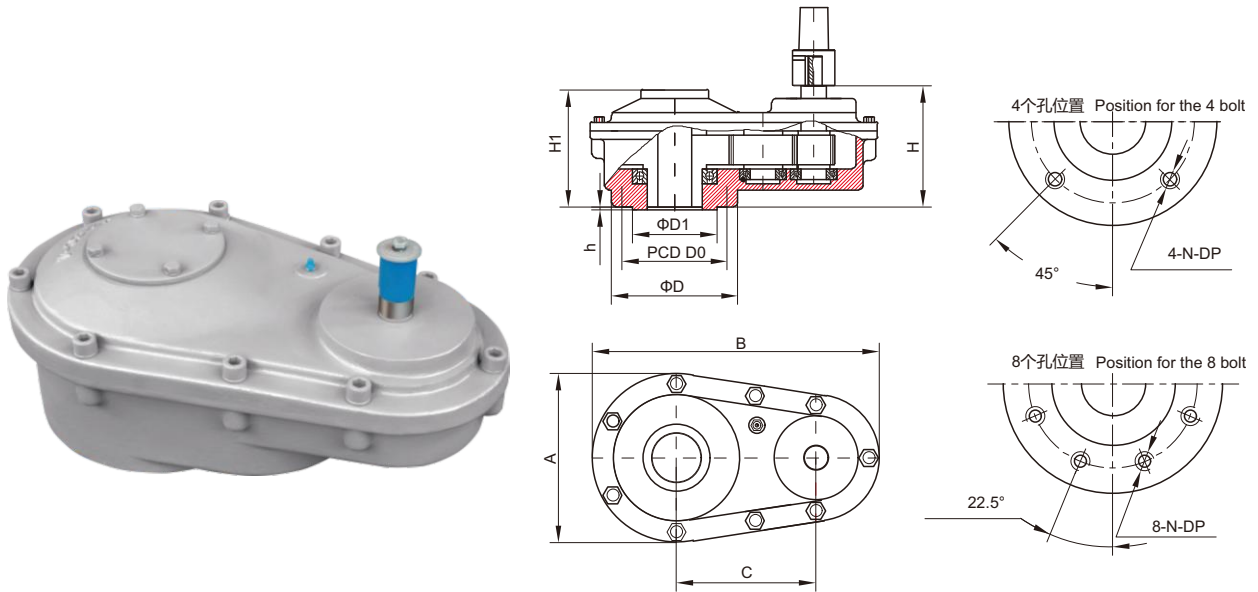


该系列是一款360°全回转手动驱动装置。适用于闸阀，蝶阀，旋塞阀，截止阀，三通球阀等阀门。箱体采用精密铸造，样式新颖，外形美观。直齿轮传动，使用推力轴承和深沟球轴承结合，传动更加灵活，效率高。齿轮与阀门阀杆连接部分有实体和内置螺母两款供客户选择，法兰全部ISO5211国际标准 and JB2920-81标准，与阀门配套更加方便。防护等级为IP65.特殊环境还可做到IP68以及浸没模式。

This series gearboxes are 360 degree multi-turn manual operator. Used in gate valves, butterfly valves, plug valves, globe valves, three-way ball valves and other valves. The housing made by precise casting, new design, nice appearance. Using by spur gear transmission, combination of thrust bearing and deep groove ball bearing, this series actuator can run smoothly, and has high output torque, low noise and high efficiency. Two connection types for choose: stem and key connection and removable nut type. Can produce based type gearboxes used in damper valves. The output mounting flange adapts to ISO 5211. So the gearboxes installed on the valve are very convenient. Input flange adapts to ISO 5211, JB2920-81 etc. General products protection grade is IP65. For special environment can be done IP68 and immersion.



型号 Model	YZ-ZC-1	YZ-ZC-2	YZ-ZC-3	YZ-ZC-4	YZ-ZC-5	YZ-ZC-6	YZ-ZC-7
技术参数 TECHNICAL-PARAMETERS							
标准速比 Standard Ratio	3:1	6:1	9:1	12:1	14:1	21:1	24:1
可选速比 Optional ratio	2.5:1	3:1	4:1/6:1	6:1/9:1	6:1/10:1	9:1/15:1	10:1/20:1
输入扭矩 Input torque N.m	180	280	320	320	320	320	320
输出扭矩 Output torque N.m	459	1428	2448	3264	3808	5712	6528
机械效率 Mechanical efficiency M.A. ±10%	0.85	0.85	0.85	0.85	0.85	0.85	0.85
连接尺寸 CONNECTION-SIZE							
法兰号 Flange	F12	F14	F16	F25	F30	F35/F40	F48/F40
法兰外圆(D)	150	175	210	300	350	415	560
连接孔中心PCD	D0	125	140	165	254	298	483
	N-H-DP	4-M12-18	4-M16-24	4-M20-30	8-M16-30	8-M20-30	8-M30-45
凸面 Convex (D1×h)	85×3	100×3	130×4	200×5	230×5	260×5	370×8
最大阀杆 Max-Stem-Diameter (Φd) mm	38	50	60	70	80	100	100
	10×8	14×9	18×11	20×12	22×14	28×16	32×18
外形尺寸 APPEARANCE-SIZE							
A	200	225	280	380	440	560	795
B	340	375	460	645	785	920	1275
C	165	190	235	318	395	450	680
H	150	195	210	246	248	290	500
H1	138	185	195	226	235	255	430
ΦM	250	300	350	450	500	600	800