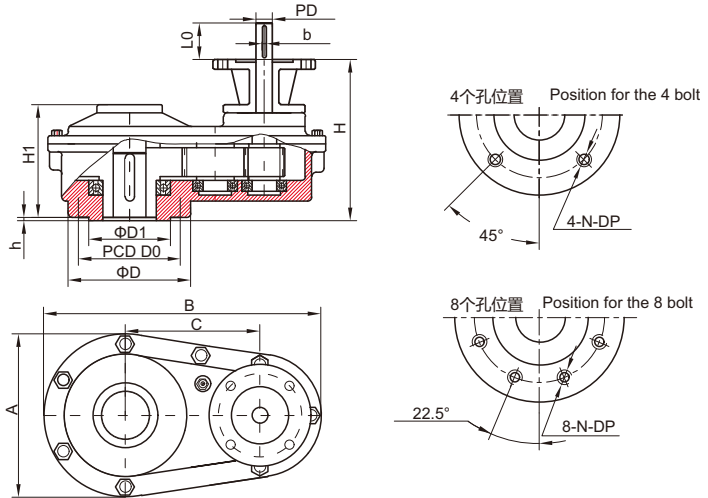




该系列是一款360°全回转电动驱动装置。主要结合各种电装配套使用，速比可根据开阀时间选配，常用于各类管网式阀门。适用于闸阀、蝶阀、旋塞阀、截止阀，三通球阀、等阀门。箱体采用精密铸造，样式新颖，外形美观。直齿轮传动，使用推力轴承和深沟球轴承结合，传动更加灵活，效率高。齿轮与阀门阀杆连接部分有实体和内置螺母两款供客户选择，法兰采用ISO5211国际标准和JB2920-81标准，与阀门配套更加方便。防护等级为IP65.特殊环境还可做到IP68以及浸没模式。

This series gearboxes are 360 degree multi-turn operator with input flange. Mainly cooperate with electric actuators. Ratio can be customized according to the valves' open time. Vertical open the valve is achievable. Used in gate valves, butterfly valves, plug valves, globe valves, three-way ball valves and other valves. The housing made by precise casting, new design, nice appearance. Using by spur gear transmission, combination of thrust bearing and deep groove ball bearing, this series actuator can run smoothly, and has high output torque, low noise and high efficiency. Two connection types for choose: stem and key connection and removable nut type. Can produce based type gearboxes used in damper valves. The output mounting flange adapts to ISO 5211. So the gearboxes installed on the valve are very convenient. Input flange adapts to ISO 5211, JB2920-81 etc. General products protection grade is IP65. For special environment can be done IP68 and immersion.



型号 Model	YZ-ZC-1-D	YZ-ZC-2-D	YZ-ZC-3-D	YZ-IS-11	YZ-ZC-4-D	YZ-ZC-5-D	YZ-IS-16	YZ-ZC-6-D	YZ-ZC-7-D	
技术参数 TECHNICAL-PARAMETERS										
标准速比 Standard Ratio	3:1	6:1	9:1	4:1	12:1	14:1	10:1	21:1	24:1	
可选速比 Optional ratio	2.5:1	3:1	4:1/6:1	6:1/12.5:1	6:1/9:1	6:1/10:1	6:1/15:1	9:1/15:1	10:1/20:1	
最大输出扭矩 Output torque N.m	600	2100	4400	7000	9500	11000	13000	15000	23000	
传动效率 Transmission efficiency M.A.±10%	0.9	0.9	0.9	0.9	0.9	0.9	0.9	0.9	0.9	
连接尺寸 CONNECTION-SIZE										
法兰号 Flange	F12	F14	F16	F30	F25	F30	F40	F40	F48	
法兰外圆(D)	150	175	210	350	300	350	475	475	560	
连接孔中心PCD	D0	125	140	165	298	254	298	406	483	
	N-H-DP	4-M12-18	4-M16-24	4-M20-30	8-M20-30	8-M16-24	8-M20-30	8-M36-54	8-M36-54	12-M36-54
凸面 Convex (D1×h)	85×3	100×4	130×5	230×5	200×5	230×5	300×8	300×8	370×8	
最大阀杆	mm (Φd) Max-Stem-Diameter	38 10×8	50 14×9	60 18×11	85 22×14	70 20×12	80 22×14	100 28×16	100 28×16	125 32×18
	mm (Tr) Max-Stem-Diameter	32	40	52	80	70	75	120	90	110
电装连接 Electrical equipment connect	PD×b(key)	20×6	30×8	40×12	50×14	40×12	50×14	50×14	60×18	
	L0	45	55	60	80	60	80	80	90	
外形尺寸 APPEARANCE-SIZE										
A	200	225	280	410	380	440	550	560	795	
B	340	375	460	655	645	785	920	920	1275	
C	165	190	235	357	318	395	450	450	680	
H	195	230	235	341	255	305	350	350	500	
H1	138	185	200	263	236	328	285	285	430	
齿轮箱与电装组合参数 COMBINATION OF WORM GEAR BOX AND ELECTRICAL EQUIPMENT PARAMETERS										
电装参数 Electrical Parameters	力矩Torque Nm	200	300	600	1800	900	1200	1450	1200	1200
	转速Speed r/min	24	24	24	24	24	24	24	24	24
	接盘 ISO5210/GB2920-81	F10/DZW 20A	F14/DZW 30A	F14/DZW 60A	F25/DZW 250	F16/DZW 90I	F25/DZW 120	F30/DZW 250	F25/DZW 120	F25/DZW 120
齿轮箱参数	输出力矩 Torque Nm	540	1600	3645	6480	8600	11000	1000	15000	23000