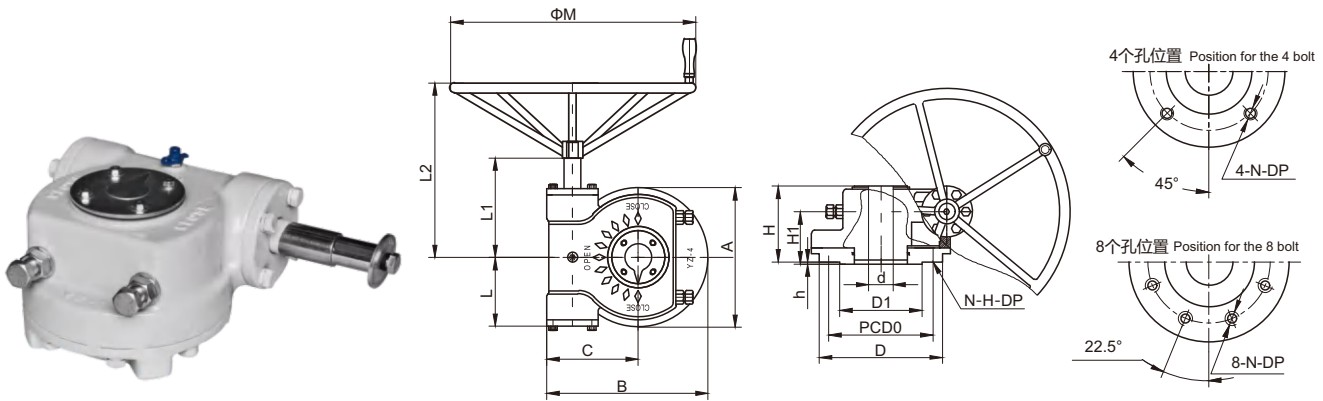


该系列是一款90°部分回转手动驱动装置。适用于球阀、蝶阀、旋塞阀、旋球阀等阀门。箱体采用精密铸造，样式新颖，外形美观。采用蜗轮蜗杆传动，蜗轮副自锁，使用圆锥滚子轴承，传动更加灵活，效率高。蜗轮箱输出扭矩与连接法兰标准扭矩相匹配，阀杆外径和安装高度符合国际标准。法兰全部采用ISO5211国际标准，与阀门配套更加方便。防护等级为IP65, 特殊环境还可做到IP68以及浸没模式。

This series of products is quarter turn manual gear actuator. Suit to be used in ball valves, butterfly valves, plug valves, rotary ball valves etc. The housing made by precise casting, new design, nice appearance. It transmitted by worm gear and worm. The worm gear with self-locking. With tapered roller bearing, so the gearboxes can be operated more flexibly and have higher efficiency. The gearboxes output torque according to mounting flange allowed torque. Stem diameter and height adapt international standard. The mounting flange adapts to ISO 5211. So the gearboxes installed on the valve are very convenient. General products protection grade is IP65. For special environment can be done IP68 and immersion.



型号 Model	YZ-0	YZ-1	YZ-2	YZ-2J	YZ-3	YZ-3J	YZ-4	YZ-4J	YZ-5	YZ-5J	YZ-6	
技术参数 TECHNICAL-PARAMETERS												
速比 Ratio	34:1	44:1	44:1	50:1	50:1	53:1	55:1	67:1	62:1	67:1	65:1	
最大转矩 Max-torque	N-m	500	1000	1500	2500	3200	4500	4950	5200	5580	6030	6825
	kgf-M	51	102	153	255	327	459	505	530	569	615	696
输入扭矩 Input torque N.m	50	90	115	166	215	300	300	258	300	300	350	
连接尺寸 CONNECTION-SIZE												
法兰号 Flange	F10	F12	F14	F16	F16	F16/F20	F25	F30	F30	F35	F35	
法兰外圆(D)	125	150	175	210	210	250	300	350	350	415	415	
连接孔中心 PCD	D0	102	125	140	165	165	205	254	298	298	356	356
	N-H-DP	4-M10-15	4-M12-18	4-M16-20	4-M20-30	4-M20-30	8-M16-24	8-M16-24	8-M20-30	8-M20-30	8-M30-45	8-M30-40
凸面Convex (D1×h)	70×3	85×3	100×4	130×5	130×5	140×5	200×5	230×5	230×5	260×5	260×5	
最大阀杆mm (Φd) Max-Stem-Diameter	30	42	50	60	60	75	90	110	110	120	120	
	8×7	12×8	14×9	18×11	18×11	25×14	22×14	28×16	28×16	32×18	32×18	
外形尺寸 APPEARANCE-SIZE												
A	125	150	175	210	225	300	340	350	390	430	470	
B	156	185	207	245	265	331	393	418	427	488	532	
C	90	110	120	140	125	186	222	243	232	275	298	
L	80	85	95	115	122	147	167	185	187	225	232	
L1	120	133	155	189	205	240	242.5	270	287	325	332	
L2	210	223	245	279	305	340	342.5	470	487	525	532	
H	100	105	114	132	154	155	185	185	190	195	200	
H1	70	68	78	93	106	105	127	122	120	132	127	
ΦM	250	350	400	450	500	600	600	650	750	800	900	