

YZ-S

部分回转型阀门手动装置

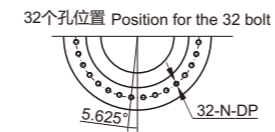
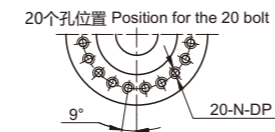
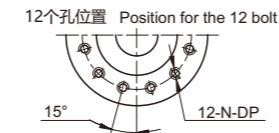
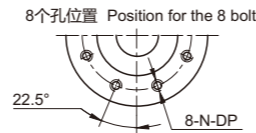
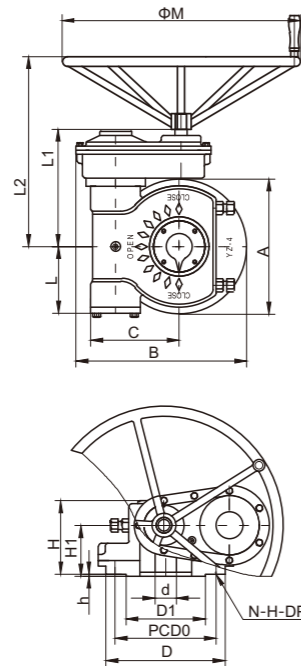
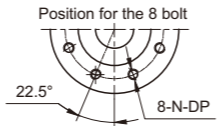
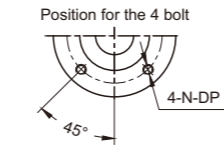
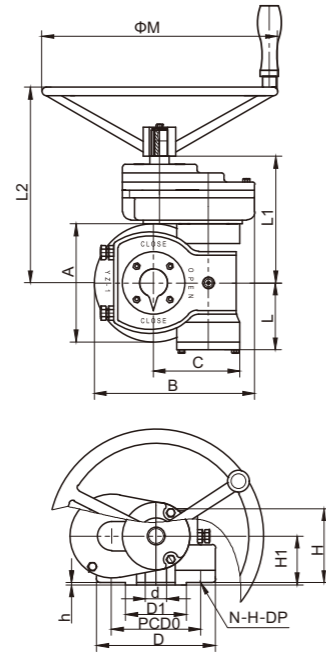
YZ-S Series Quarter turn manual gear actuator



YOYAGE
耀远

该系列是一款90°部分回转手动驱动装置。适用于球阀、蝶阀、旋塞阀、旋球阀等阀门。箱体采用精密铸造，样式新颖，外形美观。采用蜗轮蜗杆传动，蜗轮副自锁，使用圆锥滚子轴承，传动更加灵活，效率高。法兰全部采用ISO5211国际标准，与阀门配套更加方便。防护等级为IP65，特殊环境还可做到IP68以及浸没模式。

This series of products is quarter turn manual gear actuator. Suit to be used in ball valves, butterfly valves, plug valves, rotary ball valves etc. The housing made by precise casting, new design, nice appearance. It transmitted by worm gear and worm. The worm gear with self-locking. With tapered roller bearing, so the gearboxes can be operated more flexibly and have higher efficiency. The mounting flange adapts to ISO 5211. So the gearboxes installed on the valve are very convenient. General products protection grade is IP65. For special environment can be done IP68 and immersion.



YZ-S

部分回转型阀门手动装置

YZ-S Series Quarter turn manual gear actuator



YOYAGE
耀远

| 型号 Model | YZ-1-S | YZ-2-S | YZ-2J-S | YZ-3-S | YZ-3J-S | YZ-4-S | YZ-4J-S | YZ-5-S | YZ-5J-S | YZ-6-S | YZ-6J-S | YZ-7-S | YZ-7J-S | YZ-8-S | YZ-8J-S | YZ-9-S | YZ-9J-S | YZ-10-S | YZ-11-S | YZ-12-S |
|----------|--------|--------|---------|--------|---------|--------|---------|--------|---------|--------|---------|--------|---------|--------|---------|--------|---------|---------|---------|---------|
|----------|--------|--------|---------|--------|---------|--------|---------|--------|---------|--------|---------|--------|---------|--------|---------|--------|---------|---------|---------|---------|

技术参数 TECHNICAL-PARAMETERS

| | | | | | | | | | | | | | | | | | | | | | | |
|-----------------------|-------|------|-------|-------|-------|-------|-------|-------|-------|--------|--------|--------|--------|--------|--------|--------|--------|--------|--------|---------|---------|--------|
| 速比 Ratio | 78:1 | 78:1 | 127:1 | 200:1 | 375:1 | 495:1 | 798:1 | 868:1 | 938:1 | 1100:1 | 2067:1 | 2260:1 | 3030:1 | 3960:1 | 5535:1 | 5900:1 | 7760:1 | 8526:1 | 9660:1 | 14130:1 | 19320:1 | |
| 最大转矩 Max-torque | N·m | 1300 | 1600 | 3000 | 4500 | 7500 | 12000 | 16500 | 23000 | 28000 | 32000 | 48000 | 63000 | 80000 | 100000 | 140000 | 190000 | 250000 | 350000 | 400000 | 650000 | 850000 |
| | kgf·M | 132 | 204 | 306 | 612 | 765 | 1124 | 1684 | 2346 | 2857 | 3265 | 4898 | 6428 | 8163 | 10204 | 14285 | 19388 | 25510 | 35714 | 40816 | 66326 | 86734 |
| 输入扭矩 Input torque N.m | 69 | 85 | 91 | 90 | 85 | 93 | 86 | 110 | 106 | 104 | 106 | 110 | 110 | 110 | 140 | 140 | 180 | 180 | 200 | 200 | 200 | 200 |

连接尺寸 CONNECTION-SIZE

| | | | | | | | | | | | | | | | | | | | | | | |
|-------------------------------|--------|----------|----------|----------|----------|----------|----------|----------|----------|----------|----------|----------|----------|-----------|-----------|-----------|-----------|-----------|-----------|-----------|-----------|-----------|
| 法兰号 FLANGE | F12 | F14 | F16 | F16 | F20 | F25 | F30 | F30 | F35 | F35 | F40 | F40 | F48 | F48 | F48 | F60 | F60 | F60 | F80 | F100 | F100 | |
| 法兰外圆(D) | 150 | 175 | 210 | 210 | 250 | 300 | 350 | 350 | 415 | 415 | 475 | 475 | 560 | 560 | 560 | 686 | 686 | 686 | 900 | 1200 | 1200 | |
| 连接孔中心 PCD | D0 | 125 | 140 | 165 | 165 | 205 | 254 | 298 | 298 | 356 | 356 | 406 | 406 | 483 | 483 | 483 | 603 | 603 | 603 | 813 | 1042 | 1042 |
| | N-H-DP | 4-M12-18 | 4-M16-20 | 4-M20-30 | 4-M20-30 | 8-M16-24 | 8-M16-24 | 8-M20-30 | 8-M20-30 | 8-M30-45 | 8-M30-40 | 8-M36-54 | 8-M36-54 | 12-M36-54 | 12-M36-54 | 12-M36-54 | 20-M36-54 | 20-M36-54 | 20-M36-54 | 20-M42-65 | 32-M42-65 | 32-M42-65 |
| 凸面Convex (D1×h) | 85×3 | 100×4 | 130×5 | 130×5 | 140×5 | 200×5 | 230×5 | 230×5 | 260×5 | 260×5 | 300×8 | 300×8 | 370×8 | 370×8 | 370×8 | 470×8 | 470×8 | 470×8 | 670×10 | 870X10 | 870X10 | |
| 最大阀杆mm (Φd) Max-Stem-Diameter | 42 | 50 | 60 | 60 | 75 | 90 | 110 | 110 | 120 | 120 | 145 | 160 | 170 | 180 | 200 | 210 | 220 | 270 | 300 | 380 | 420 | |
| | 12×8 | 14×9 | 18×11 | 18×11 | 22×14 | 25×14 | 28×16 | 28×16 | 32×18 | 32×18 | 40×22 | 40×22 | 45×25 | 45×25 | 50×28 | 50×28 | 50×28 | 63×32 | 70×36 | 80×40 | 90×45 | |

外形尺寸 APPEARANCE-SIZE

| | | | | | | | | | | | | | | | | | | | | | |
|----|-----|-----|-----|-----|-----|-------|-------|-------|-------|-------|-----|-----|-----|-------|-------|------|------|------|------|------|------|
| A | 150 | 175 | 210 | 225 | 300 | 340 | 350 | 390 | 430 | 470 | 560 | 590 | 620 | 660 | 730 | 770 | 800 | 1030 | 1150 | 1550 | 1830 |
| B | 204 | 226 | 245 | 300 | 331 | 430 | 418 | 468 | 488 | 595 | 637 | 765 | 705 | 735 | 895 | 910 | 995 | 1290 | 1405 | 1730 | 2085 |
| C | 110 | 120 | 140 | 125 | 186 | 222 | 243 | 232 | 275 | 298 | 357 | 375 | 395 | 405 | 452 | 525 | 535 | 680 | 710 | 955 | 1170 |
| L | 85 | 95 | 115 | 122 | 148 | 167 | 185 | 187 | 225 | 232 | 280 | 295 | 315 | 340 | 365 | 395 | 420 | 530 | 475 | 770 | 820 |
| L1 | 161 | 171 | 244 | 249 | 305 | 317.5 | 371.5 | 370.5 | 406.5 | 373.5 | 459 | 469 | 757 | 777.5 | 787.5 | 894 | 915 | 1016 | 1046 | 1431 | 1676 |
| L2 | 251 | 261 | 334 | 339 | 405 | 417.5 | 471.5 | 470.5 | 506.5 | 573.5 | 659 | 669 | 957 | 977.5 | 987.5 | 1094 | 1115 | 1216 | 1246 | 1631 | 1876 |
| H | 105 | 114 | 132 | 154 | 155 | 185 | 185 | 190 | 195 | 200 | 243 | 244 | 270 | 292 | 305 | 380 | 400 | 428 | 415 | 555 | 655 |
| H1 | 68 | 78 | 93 | 106 | 105 | 127 | 122 | 120 | 132 | 127 | 145 | 153 | 167 | 193 | 208 | 215 | 250 | 261 | 263 | 355 | 410 |
| ΦM | 300 | 350 | 400 | 400 | 500 | 500 | 500 | 600 | 600 | 650 | 650 | 700 | 750 | 750 | 800 | 800 | 1200 | 1000 | 1200 | 1200 | 1200 |