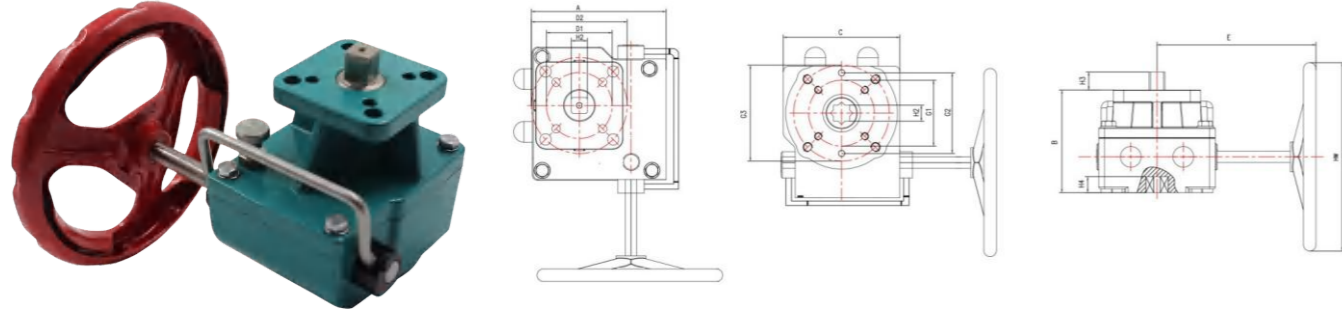


新型手动机构与气动装置联合使用，用于90°开启的球阀、蝶阀、旋塞阀、旋球阀等实现手动或气动切换驱动。新款手动机构是我公司创新研发的产品，其特点是体积小，重量轻，扭矩大且抗压耐腐蚀，配置四列轴承组合，大大提升产品性能。产品整体防尘防水，防护等级可达IP65（可根据客户需求做到防护等级IP68）在发电厂，化工，炼油等对安全要求较高的生产过程中有广泛的应用。

A new type of manual mechanism is used in combination with pneumatic actuator. Used for manual or pneumatic switching and driving of ball valves, butterfly valves, plug valves, with a 90° opening. The new manual mechanism is a product innovatively developed characterized by small size, light weight, high torque, and pressure resistance and corrosion resistance. Each unit is equipped with four row bearing combinations, greatly improving product performance. The overall product is dust-proof and waterproof, with a protection level of up to IP65 (protection level of IP68 can be achieved according to customer needs). It is widely used in production processes with high safety requirements such as power plants, chemical engineering, and oil refining.



## SD系列气动阀门手操机构连接尺寸表

SD series pneumatic valve handheld mechanism connection size table

Model	A	B	C	D1	D2	E	F	G1	G2	G3	H1	H2	H3	H4	HW
SD-1	115	89.5	105	F05	F07	143	196	F05	F07	φ57	□14	□14	15	22	170
SD-2	135	120	113	F07	F10	178	245	F07	F10	φ70	□17	□17	20	26	190
SD-3	160	133	131	F07	F10/F12	200	271	F07	F10/F12	φ89	□22	□22	22	28	270
SD-4	202	180	167	F10	F12/F14	280	370	F10	F12/F14	φ108	□27	□27	29	32	300
SD-5	245	221	186	F14	F16	348	458	F14	F16	φ108	□36	□36	40	43	400
SD-6	280	251	205	/	F16	378	498	F14	F16	φ159	□46	□46	50	52	500
SD-7	315	286	205	φ200	F16	395	520	φ200	F16	φ159	□46	□46	50	52	550

我公司产品采用精密的加工设备，确保产品质量稳定可靠，细致是检测产品质量的保证。该产品特点体积小，重量轻，设计合理，外观新颖，集成一体设计，扭矩大，且抗腐蚀，产品防锈，防尘，防水密封标准。

The company's products use precision processing equipment to ensure stable and reliable product quality, and meticulous monitoring is the guarantee of product quality.

Small size, light weight, reasonable design, and novel appearance  
Integrated design with high torque and resistance to pressure and corrosion  
Standard for rust prevention, dust prevention, waterproof sealing of products



## SD系列气动阀门手动机构技术参数

Technical parameters of SD series pneumatic valve manual mechanism

Model	AT双作用 (DA) AT double action (DA)	AT单作用 (SR) AT spring return (SR)	速比 Speed ratio	输出扭矩 Output torque
SD-1	DA52-105	SR52-92	26:1	240N.M
SD-2	DA105-125	SR105-125	28:1	600N.M
SD-3	DA140-160	SR125-140	38:1	900N.M
SD-4	DA190-210	SR160-190	54:1	1600N.M
SD-5	DA210-240	SR190-210	80:1	2100N.M
SD-6	DA240-270	SR210-240	78:1	3000N.M
SD-7	DA270-300	SR240-270	98:1	3800N.M