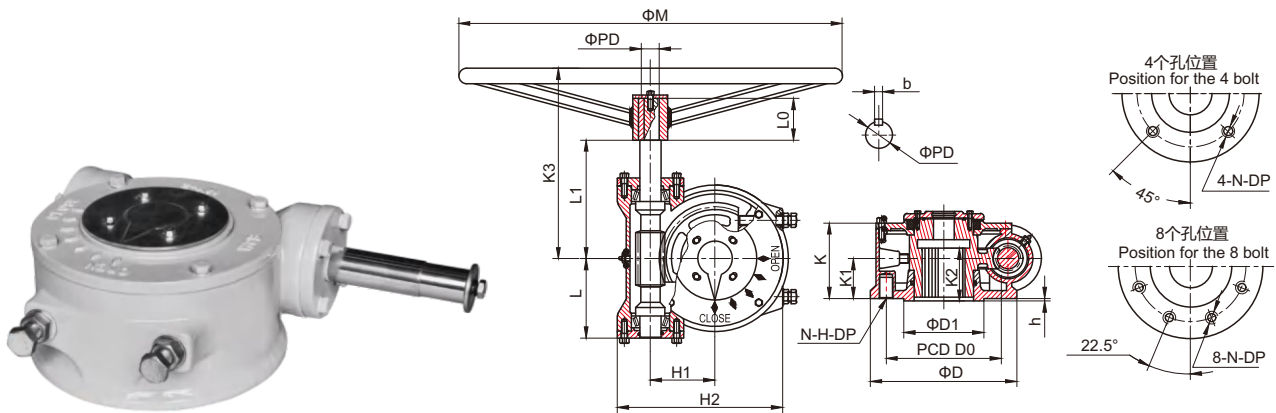


该系列是一款90°部分回转手动驱动装置。适用于球阀、蝶阀、旋塞阀、旋球阀等阀门。箱体采用精密铸造，样式新颖，外形美观。采用蜗轮蜗杆传动，蜗轮副自锁，使用圆锥滚子轴承，传动更加灵活，效率高。法兰全部采用ISO5211国际标准，与阀门配套更加方便。防护等级为IP65，特殊环境还可做到IP68以及浸没模式。

This series of products is quarter turn manual gear actuator. Suit to be used in ball valves, butterfly valves, plug valves, rotary ball valves etc. The housing made by precise casting, new design, nice appearance. It transmitted by worm gear and worm. The worm gear with self-locking. With tapered roller bearing, so the gearboxes can be operated more flexibly and have higher efficiency. The mounting flange adapts to ISO 5211. So the gearboxes installed on the valve are very convenient. General products protection grade is IP65. For special environment can be done IP68 and immersion.



型号 Model	MY-000	MY-00	MY-0	MY-1	MY-2	MY-3	MY-4	MY-5	MY-6	
技术参数 TECHNICAL-PARAMETERS										
速比 Ratio	24:1	33:1	39:1	46:1	49:1	53:1	60:1	62:1	68:1	
最大转矩 Max-torque	N-m	300	500	980	1600	2700	4200	5600	7000	8500
	kgf-M	31	51	100	143	255	478	617	714	867
输入扭矩 Input torque N.m	41	50	85	115	185	255	315	380	425	
连接尺寸 CONNECTION-SIZE										
法兰号 FLANGE	F07	F10	F12	F14	F16	(F20)	F25	F30	F35	
法兰外圆(D)	90	125	150	175	210	250	300	350	415	
连接孔中心 PCD	D0	70	102	125	140	165	205	254	298	356
	N-H-DP	4-M8-15	4-M10-15	4-M12-18	4-M16-24	4-M20-30	8-M16-24	8-M16-24	8-M20-27	8-M30-45
凸面Convex (D1×h)	55×3	70×3	85×3	100×4	130×5	140×5	200×5	230×5	260×5	
最大阀杆mm (Φd) Max-Stem-Diameter	20	30	38	45	55	65	80	105	115	
	6×6	8×7	10×8	14×9	16×10	20×12	22×14	28×16	32×18	
外形尺寸 APPEARANCE-SIZE										
H1	41	55	66	75	92	111	145	160	200	
H2	124	151	208	230	270	303	373	420	495	
K	75	70	89	89	108	110	140	140	179	
K1	40	43	51	52	63	61	85	87	110	
K2		42	47	58	62	60	100	102	112	
K3	195	200	224.5	237.5	279	307	337	498	532	
L	65	70	83	92	113	125	160	197	230	
L1	105	110	134.5	147.5	189	207	237	298	332	
手轮 handwheel	PD	15	15	21	21	28	28	28	45	45
	(b)key	5	5	6	6	8	8	8	12	12
	LO	32	32	36	36	46	46	46	61	61
	M	250	250	300	350	450	500	600	650	700