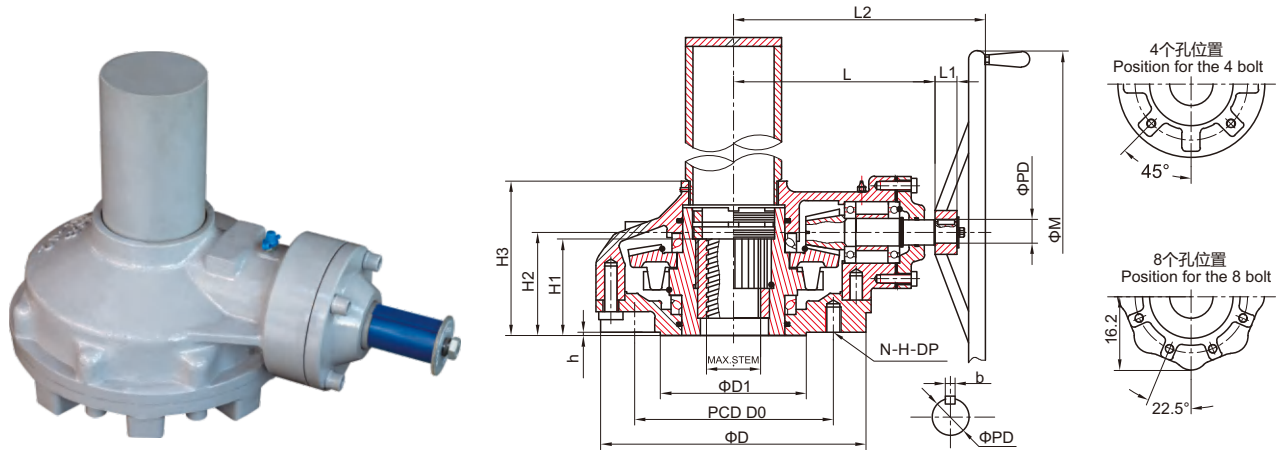


该装置是直接安装在闸阀、蝶阀、旋塞阀和截止阀等阀门上的手动装置，该装置采用弧齿锥齿轮和平面推力轴承，有运转平稳、扭矩大、噪音小、效率高的优点。在所有的结合部，采用了密封垫全密封处理，达到了防水、防油漏的效果，防护等级为IP65。手轮和阀杆罩可根据用户需求定制。结合各类阀门使用要求及环境，还有单级带电装连接、双级带电装连接、双级手轮驱动等产品。

This bevel gearbox can be installed directly on the gate valves, butterfly valves, plug valves, globe valves and other valves. By using spiral bevel gears and thrust ball bearing, this series actuator can run smoothly, and has high output torque, low noise and high efficiency. It can avoid from water in and grease out. Protection grade is IP65. For special environment can be done IP68 and immersion. Handwheel and stem cover can be customized. For different valves and requirement, there are single stage gearboxes with input flange, two stage gearboxes with input flange, two stage manual gearboxes and so on.



型号 Model	MY-VS10	MY-VS20	MY-V0	MY-V1	MY-V2	MY-V3	MY-V35	MY-V4	MY-V5	MY-V6	
技术参数 TECHNICAL-PARAMETERS											
速比 Ratio	2.3:1	2.35:1	3.1:1	3.6:1	4:1	4.1:1	5:1	6:1	6.3:1	7.1:1	
最大转矩 Max-torque	N-m	216	363	589	932	1491	2296	3404	4000	4500	7250
	kgf-M	22	37	60	95	152	234	347	408	459	740
最大阀杆直径 Max-stem dia. mm	20	25	35	40	52	60	70	90	100	120	
参考重量 Weight Kg	10	12	21.5	28	35	50	95.5	160	190	288	
连接尺寸 CONNECTION-SIZE											
法兰号 Flange	F10	F12	F14	F16	(F20)	F25	F30	F35	F35	F40	
法兰外圆(D)	125	150	175	210	250	300	350	415	415	475	
连接孔中心 PCD	D0	102	125	140	165	205	254	298	356	406	
	N-H-DP	4-M10-15	4-M12-18	4-M16-24	4-M20-30	8-M16-24	8-M16-24	8-M20-30	8-M30-45	8-M30-45	8-M36-54
凸面 Convex (D1×h)	70×3	85×3	100×4	130×4	140×5	200×5	230×5	260×5	260×5	300×8	
外形尺寸 APPEARANCE-SIZE											
H1	38	46	55	62	75	85	105	145	145	165	
H2	65	70	70	75	90	100	140	160	155	210	
H3	110	125	128	145	160	170	225	280	280	335	
L	120	135	160	180	200	225	280	353	355	365	
L2	215	230	260	320	340	365	420	445	515	565	
手轮 handwheel	PD	28	28	28	28	32	32	32	38	50	
	(b)key	8×7	8×7	8×7	8×7	10×8	10×8	10×8	10×8	2-16×10	
	L1	40	40	40	40	50	50	50	50	55	
	M	300	300	300	400	460	460	520	600	600	800