

MY-V-1S

多回转型阀门手动装置

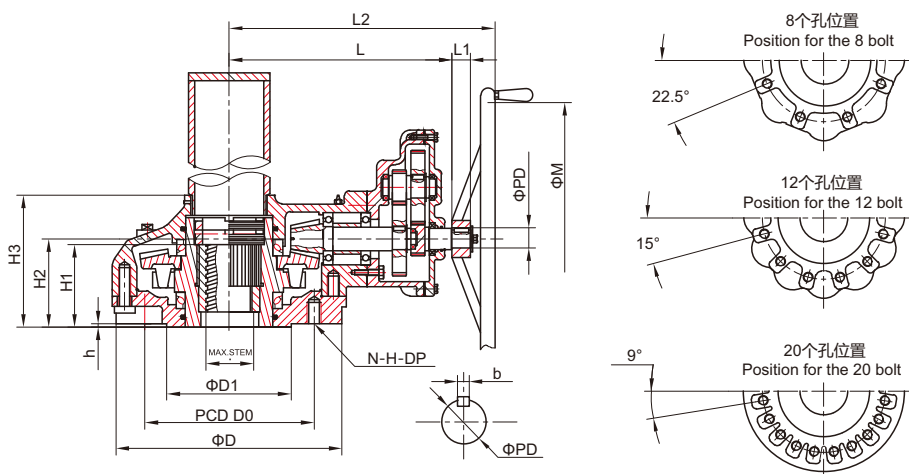
MY-V-1S Series Multi-turn manual gear actuator



YOYAGE
耀远

该装置是直接安装在闸阀、蝶阀、旋塞阀和截止阀等阀门上的手动装置，该装置采用弧齿锥齿轮和平面推力轴承，有运转平稳、扭矩大、噪音小、效率高的优点。在所有的结合部，采用了密封垫全密封处理，达到了防水、防油漏的效果，防护等级为IP65。手轮和阀杆罩可根据用户需求定制。结合各类阀门使用要求及环境，还有单级带电装连接、双级带电装连接、双级手轮驱动等产品。

This bevel gearbox can be installed directly on the gate valves, butterfly valves, plug valves, globe valves and other valves. By using spiral bevel gears and thrust ball bearing, this series actuator can run smoothly, and has high output torque, low noise and high efficiency. It can avoid from water in and grease out. Protection grade is IP65. For special environment can be done IP68 and immersion. Handwheel and stem cover can be customized. For different valves and requirement, there are single stage gearboxes with input flange, two stage gearboxes with input flange, two stage manual gearboxes and so on.



型号 Model	MY-V2-1S	MY-V3-1S	MY-V35-1S	MY-V4-1S	MY-V5-1S	MY-V6-1S	MY-V7-1S	MY-V8-1S	MY-V9-1S	MY-V10-1S
技术参数 TECHNICAL-PARAMETERS										
速比 Ratio	12.2:1	18.1:1	23:1	42:1	42:1	46:1	94.4:1	115.5:1	126:1	200:1
最大转矩 Max-torque	N-m	2500	3500	4000	6800	8200	14500	18600	26100	100000
	kgf-M	255	357	510	693	836	1479	1897	2662	10204
最大阀杆直径 Max-stem dia. mm	52	60	70	90	100	120	130	150	180	200
参考重量 Weight Kg	52	70	119	180	265	328	470	645	1300	1700
连接尺寸 CONNECTION-SIZE										
法兰号 Flange	(F20)	F25	F30	F35	F35	F40	F48	F60	F60	F80
法兰外圆(D)	250	300	350	415	415	475	560	686	686	900
连接孔中心 PCD	D0	205	254	298	356	356	406	483	603	813
	N-H-DP	8-M16-24	8-M16-24	8-M20-35	8-M30-45	8-M30-45	8-M36-54	12-M36-54	20-M36-54	20-M36-54
凸面 Convex (D1×h)	140×5	200×5	230×5	260×5	260×5	300×8	370×8	470×8	470×8	670×10
外形尺寸 APPEARANCE-SIZE										
H1	75	85	105	120	145	165	195	200	200	200
H2	90	100	140	160	155	210	220	250	330	330
H3	160	170	225	280	280	335	331	346	409	540.5
L	305	330	390	480	480	500	550	610	817	964
L2	445	470	550	595	655	675	750	810	1020	1190
手轮 handwheel	PD	28	28	28	38	38	38	45	45	50
	(b)key	8×7	8×7	8×7	10×8	10×8	10×8	12×8	12×8	14×9
	L1	46	46	46	61	61	61	61	61	61
	M	400	500	600	650	650	700	800	900	1000