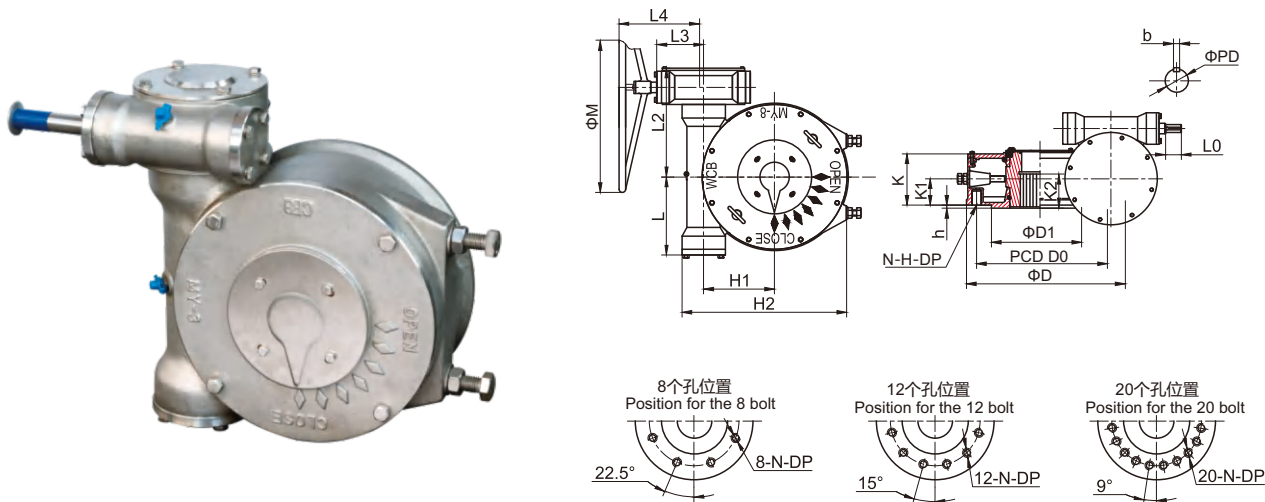


该系列是一款90°部分回转手动驱动装置。适用于球阀、蝶阀、旋塞阀、旋球阀等阀门。箱体采用精密铸造，样式新颖，外形美观。采用蜗轮蜗杆传动，蜗轮副自锁，使用圆锥滚子轴承，传动更加灵活，效率高。蜗轮与阀门阀杆连接部分有实体和内置螺母两款供客户选择，法兰全部采用 ISO5211 国际标准，与阀门配套更加方便。防护等级为IP65。

This series of products is quarter turn manual gear actuator. Suit to be used in ball valves, butterfly valves, plug valves, rotary ball valves etc. The housing made by precise casting, new design, nice appearance. It transmitted by worm gear and worm. The worm gear with self-locking. With tapered roller bearing, so the gearboxes can be operated more flexibly and have higher efficiency. Two connection types for choose: stem and key connection and removable nut type. The mounting flange adapts to ISO 5211. So the gearboxes installed on the valve are very convenient. General products protection grade is IP65.



型号 Model	MY-4S	MY-5S	MY-6S	MY-7S	MY-8S	MY-9S
技术参数 TECHNICAL-PARAMETERS						
速比 Ratio	1170:1	1426:1	1541:1	1593:1	2250:1	2550:1
最大转矩 Max-torque	N-m	8000	15000	18000	28000	53000
	kgf-M	816	1530	1836	2857	5408
机械效率 Mechanical efficiency M.A.±10%	105.3	128.3	138.7	143.4	202.5	229.5
连接尺寸 CONNECTION-SIZE						
法兰号 Flange	F25	F30	F35	F40	F48	F60
法兰外圆(D)	300	350	415	475	560	686
连接孔中心 PCD	D0	254	298	356	406	483
	N-H-DP	8-M16-24	8-M20-27	8-M30-45	8-M36-54	12-M36-54
凸面Convex (D1×h)	200×5	230×5	260×5	300×8	370×8	470×8
最大阀杆mm (Φd) Max-Stem-Diameter	80	105	115	140	155	180
	22×14	28×16	32×18	36×20	40×22	45×25
外形尺寸 APPEARANCE-SIZE						
H1	145	160	200	225	270	335
H2	344	390	465	540	632	740
K	140	140	179	188	203	215
K1	80	70	90	100	100	117
L	155	197	230	264	300	368
L2	244	286	319	372	410	508
L3	83	92	92	113	125	155
L4	230	285	285	330	380	430
手轮 handwheel	PD	21	21	21	28	28
	(b)key	6	6	6	8	8
	L0	36	36	36	46	46
	M	300	350	400	450	500