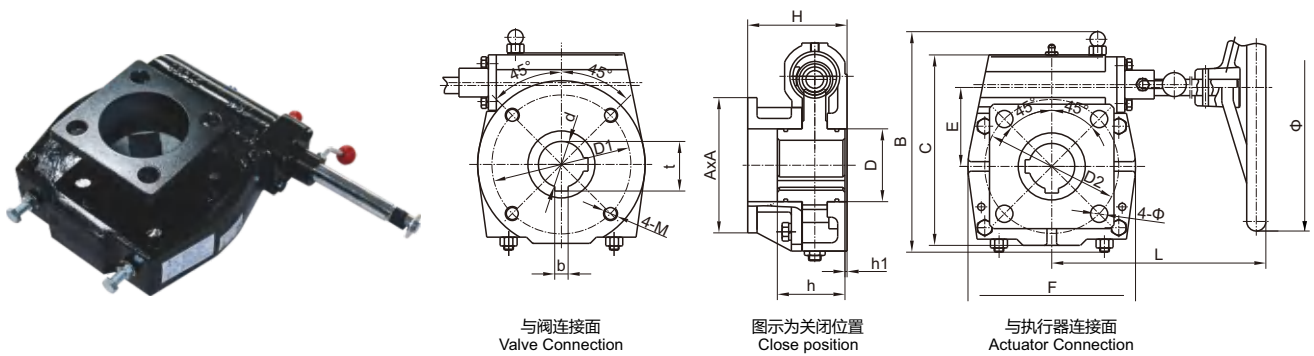


该系列是一款90°部分回转手动驱动装置。适用于球阀、蝶阀、旋塞阀等阀门。箱体采用精密铸造，样式新颖，外形美观。采用蜗轮蜗杆传动，蜗轮副自锁，使用圆锥滚子轴承，传动更加灵活，效率高。法兰全部采用ISO5211国际标准，与阀门配套更加方便。防护等级为IP65.特殊环境还可做到IP68以及浸没模式。

These are quarter turn gear actuators, suitable for ball valves, butterfly valves and plug valves etc. The housing is precisely cast, with fresh pattern and nice appearance. It transmitted by worm gear and worm, with self-locking function. Tapered roller bearing and thrust ball bearing combination makes the transmission more flexible and efficient. Max-torque of actuators matches with connecting flange standard, stem diameter and install height are all international standard. The connecting flange adapts to I.S.O.5211 makes it easy working with valves. Protection grade can be IP65, IP67, IP68 and Immersion mode according to customers requirements.



型号 Model	F26	F38	F54	F80	F78A	F100	F320	F420
技术参数 TECHNICAL-PARAMETERS								
速比 Ratio	26:1	38:1	54:1	80:1	78:1	100:1	320:1	420:1
输入力矩 Input-torque N.M	60	60	75	120	140	200	200	200
输出力矩 Output-torque N.M	390	550	620	1200	2000	3500	5000	16000
限位调整 Limit-adjustment	±5°	±5°	±5°	±5°	±5°	±5°	±5°	±5°
蝶阀 Butterfly-valve DN	80	200	250	350	400	500	600	800
球阀 Ball-valve DN	50	150	150	200	250	300	400	600

		连接尺寸 CONNECTION-SIZE								
气缸连接尺寸 Cylinder connection size	A0×A1	68×68	110×110	110×110	130×130	157×157	161×161	235×235	290×290	350
	连接孔中心 PDC(D2)	70	102	102	140	165	165	200	254	298
	4-Φd1	4-Φ9	4-Φ12	4-Φ12	4-Φ18	4-Φ22	4-Φ22	8-Φ18	8-Φ18	8-Φ22
阀门连接尺寸 Valve connection size	轴孔 Bore(d)	22	32	38	48	60	76	80	85	100
	平键(b)×键高×条数×90° Key(b)×Height×NO×90°	8×7×2	10×8×2	10×8×2	14×9×2	18×11×2	20×12×2	22×14×2	25×14×2	28×16×2
	连接孔中心 PDC(D0)	70	102	102	140	165	165	200	254	298
	孔数-螺栓 Bolt(N-M)	4-M8	4-M10	4-M10	4-M16	4-M20	4-M20	8-M16	8-M16	8-M20
	H	85	90	90	100	125	130	118	200	250
手轮 Handwheel(Φ)	200	200	250	300	400	500	500	500	600	

		外形尺寸 APPEARANCE-SIZE								
A		222	265	265	295	395	465	590	655	720
B		170	203	203	220	280	324	445	510	530
E		84	97	97	123	165	185	160	168	209
G		133	159	159	201	283	325	350	385	470
H2		87	96	96	108	132	136	143	255	283.5
F		106	126	126	173	235	282	300	300	350