

MY-1S

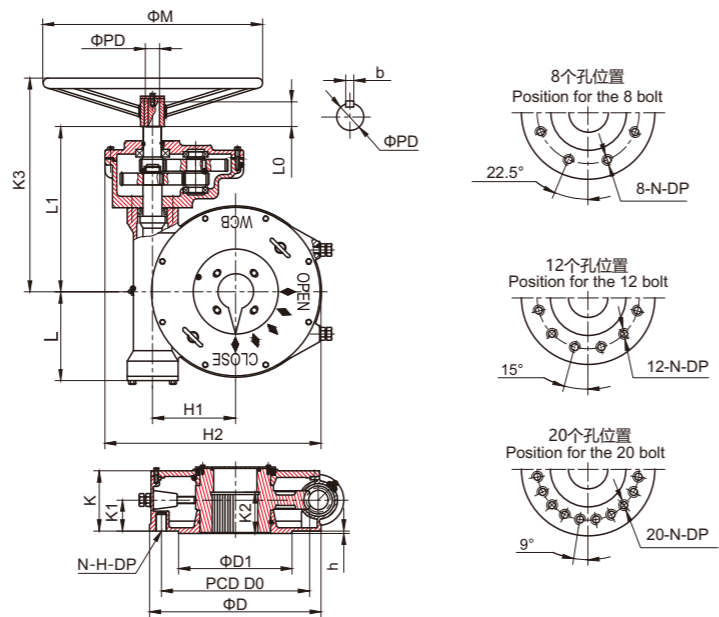
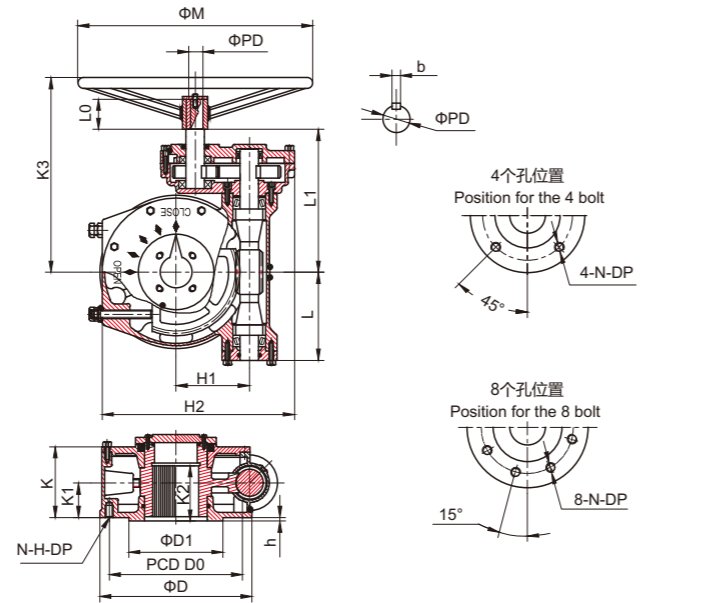
部分回转型阀门手动装置

MY-1S Series Quarter turn manual gear actuator



该系列是一款90°部分回转手动驱动装置。适用于球阀、蝶阀、旋塞阀、旋球阀等阀门。箱体采用精密铸造，样式新颖，外形美观。采用蜗轮蜗杆传动，蜗轮副自锁，使用圆锥滚子轴承，传动更加灵活，效率高。蜗轮与阀门阀杆连接部分有实体和内置螺母两款供客户选择，法兰全部采用ISO5211国际标准，与阀门配套更加方便。防护等级为IP65，特殊环境还可做到IP68以及浸没模式。

This series of products is quarter turn manual gear actuator. Suit to be used in ball valves, butterfly valves, plug valves, rotary ball valves etc. The housing made by precise casting, new design, nice appearance. It transmitted by worm gear and worm. The worm gear with self-locking. With tapered roller bearing, so the gearboxes can be operated more flexibly and have higher efficiency. Two connection types for choose: stem and key connection and removable nut type. The mounting flange adapts to ISO 5211. So the gearboxes installed on the valve are very convenient. General products protection grade is IP65. For special environment can be done IP68 and immersion.



MY-1S

部分回转型阀门手动装置

MY-1S Series Quarter turn manual gear actuator



型号 Model	MY-0-1S	MY-1-1S	MY-2-1S	MY-3-1S	MY-4-1S	MY-4-1SZ	MY-5-1S	MY-5-1SZ	MY-6-1S	MY-6-1SZ	MY-7-1SZ	MY-8-1SZ	MY-9-1SZ	MY-10-1SZ
----------	---------	---------	---------	---------	---------	----------	---------	----------	---------	----------	----------	----------	----------	-----------

技术参数 TECHNICAL-PARAMETERS

速比 Ratio		72:1	85:1	122:1	187:1	190:1	335:1	273:1	625:1	408:1	952:1	1390:1	1840:1	4035:1	5280:1
最大转矩 Max-torque	N-m	1000	1850	3000	4500	6500	8000	10000	15000	15000	18000	40000	53000	130000	170000
	kgf-M	102	188	306	408	663	816	1020	1530	1531	1836	2857	5408	8163	8163
输入扭矩 Input torque N.m		54	84	96	93	131	96	103	96	147	79	120	120	140	140

连接尺寸 CONNECTION-SIZE

法兰号 Flange		F12	F14	F16	(F20)	F25	F25	F30	F30	F35	F35	F40	F48	F60	F60
法兰外圆(D)		150	175	210	250	300	300	350	350	415	415	475	560	686	686
连接孔中心 PCD	D0	125	140	165	205	254	254	298	298	356	356	406	483	603	603
	N-H-DP	4-M12	4-M16	4-M20	8-M16	8-M16	8-M16	8-M20	8-M20	8-M30	8-M30	8-M36	12-M36	20-M36	20-M36
凸面Convex (D1×h)		85×3	100×4	130×5	140×5	200×5	200×5	230×5	230×5	260×5	260×5	300×8	370×8	470×8	470×8
最大阀杆mm (Φd) Max-Stem-Diameter		38	45	55	65	80	80	105	105	115	115	140	155	200	220
		12×8	14×9	16×10	20×12	22×14	22×14	28×16	28×16	32×18	32×18	36×20	40×22	45×25	50×28

外形尺寸 APPEARANCE-SIZE

H1		66	75	92	111	145	145	160	160	200	200	225	270	315	355
H2		196	221	283	322	388	388	404	404	510	510	582	670	740	765
K		89	89	108	110	140	140	140	140	179	179	188	203	230	240
K1		47	45	63	57	80	80	70	70	90	90	100	100	117	125
K2		47	58	62	60	100	100	102	102	112	112	140	155	176	200
K3		243.5	253.5	312.5	322.5	362.5	383	395	421	530	556	633.5	676	803	852.5
L		83	92	113	125	155	155	197	197	230	230	264	300	368	370
L1		153.5	163.5	222.5	232.5	262.5	283	295	321	330	356	433.5	476	603	652.5
手轮 handwheel	PD	15	21	21	28	28	28	28	28	32	32	38	45	45	45
	(b)key	5	6	6	8	8	8	8	8	10	10	10	12	12	12
	L0	32	36	36	46	46	46	46	46	61	61	61	61	61	61
	M	300	350	400	450	500	500	600	600	650	650	700	750	800	800