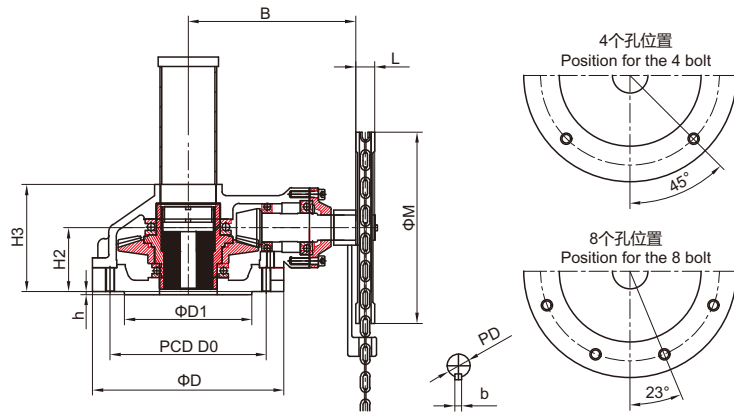


该装置是直接安装在闸阀、蝶阀、旋塞阀和截止阀等阀门上的手动装置，该装置采用弧齿锥齿轮和平面推力轴承，有运转平稳、扭矩大、噪音小、效率高的优点。在所有的结合部，采用了密封垫全密封处理，达到了防水、防油漏的效果，防护等级为IP65。手轮和阀杆罩可根据用户需求定制。

This bevel gearbox can be installed directly on the gate valves, butterfly valves, plug valves, globe valves and other valves. By using spiral bevel gears and thrust ball bearing, this series actuator can run smoothly, and has high output torque, low noise and high efficiency. It can avoid from water in and grease out. Protection grade is IP65. For special environment can be done IP68 and immersion. Handwheel and stem cover can be customized.



型号 Model	BA-000-L	BA-00-L	BA-0-L	BA-1-L	BA-2-L	BA-3-L	BAA-3-L
技术参数 TECHNICAL-PARAMETERS							
速比 Ratio	2.35:1	3:1	3.6:1	4.5:1	5.2:1	6.3:1	23:1
最大扭矩 Max-torque Nm	360	480	735	1470	2940	4000	6000
最大推力 Max-thrust N	43000	64000	98000	196000	340000	490000	630000
最大阀杆直径Max-stem dia.mm 铜螺母 Copper-nut	25	30	40	52	70	90	110
闸阀 Gate-valve DN	50	80-100	150-200	250-400	450-700	800-1000	1200
截止阀 Globe-valve DN	50	80	100-150	200-250	300-350	400-500	550-650
参考重量 Weight Kg	15	22	28	54	110	198	320
连接尺寸 CONNECTION-SIZE							
法兰号 Flange	F12	F14	F16	F25	F30	F35	F35
法兰外圆(D)	150	175	210	300	350	415	415
连接孔中心 PCD	D0	125	140	165	254	298	356
	N-H-DP	4-M12-18	4-M16-24	4-M20-30	8-M16-24	8-M20-30	8-M30-45
凸面 Convex (D1xh)	85×3	100×4	130×5	200×5	230×5	260×5	260×5
外形尺寸 APPEARANCE-SIZE							
B	150	150	170	233	306	370	395
H2	80	80	85	97	142	160	178
H3	125	125	155	175	210	280	290
链轮 sprocket	PD	28	28	28	32	32	38
	(b)key	8x7	8x7	8x7	10x8	10x8	10x8
	L1	30	30	30	30	30	40
	M	200	200	200	300	400	400