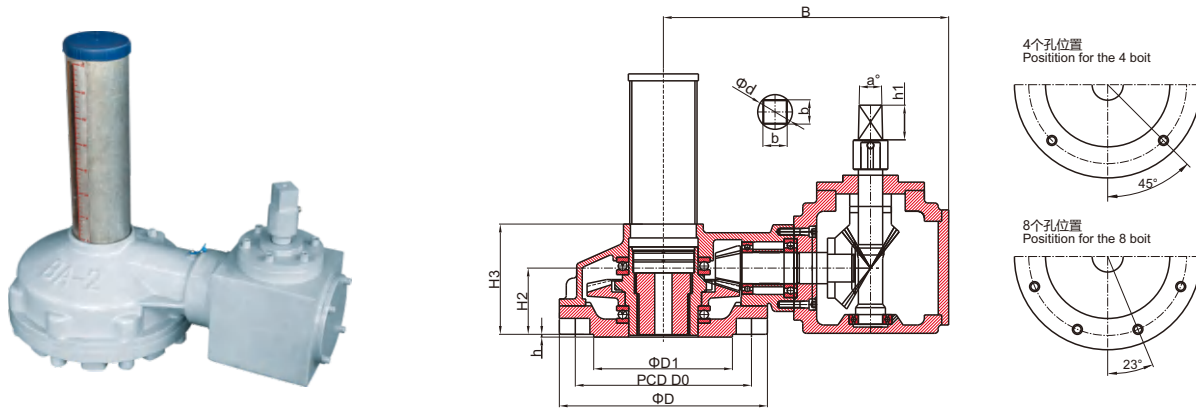


该装置是直接安装卧式全回转型阀门上的手动装置，该装置采用弧齿锥齿轮和平面推力轴承，有运转平稳、扭矩大、噪音小、效率高的优点。在所有的结合部，采用了密封垫全密封处理，达到了防水、防油漏的效果，防护等级为IP65。手轮和阀杆罩可根据用户需求定制。

This series gearboxes can be installed directly on the horizontal type multi-turn valves. By using spiral bevel gears and thrust ball bearing, this series actuator can run smoothly, and has high output torque, low noise and high efficiency. It can avoid from water in and grease out. Protection grade is IP65. For special environment can be done IP68 and immersion. Handwheel and stem cover can be customized.



| 型号 Model | BA-00-G | BA-0-G | BA-1-G | BA-2-G | BA-3-G | BAA-3-G |
|----------|---------|--------|--------|--------|--------|---------|
|----------|---------|--------|--------|--------|--------|---------|

技术参数 TECHNICAL-PARAMETERS

| | | | | | | |
|---|--------|---------|---------|---------|----------|---------|
| 速比 Ratio | 3:1 | 3.6:1 | 6.75:1 | 7.8:1 | 12.6:1 | 46:1 |
| 最大扭矩 Max-torqueNm | 480 | 735 | 1470 | 2940 | 4000 | 6000 |
| 最大推力 Max-thrustN | 64000 | 98000 | 196000 | 340000 | 490000 | 630000 |
| 最大阀杆直径 Max-stemdia.mm 铜螺母 Copper-nut | 30 | 40 | 52 | 70 | 90 | 110 |
| 闸阀 Gate-valveDN | 80-100 | 150-200 | 250-400 | 450-700 | 800-1000 | 1200 |
| 截止阀 Globe-valveDN | 80 | 100-150 | 200-250 | 300-350 | 400-500 | 550-650 |
| 参考 WeightKg | 22 | 28 | 54 | 110 | 198 | 320 |

连接尺寸 CONNECTION-SIZE

| | | | | | | |
|------------------|--------|----------|----------|----------|----------|----------|
| 法兰号 Flange | F14 | F16 | F25 | F30 | F35 | F35 |
| 法兰外圆(D) | 175 | 210 | 300 | 350 | 415 | 415 |
| 连接孔中心PCD | D0 | 140 | 165 | 254 | 298 | 356 |
| | N-H-DP | 4-M16-24 | 4-M20-30 | 8-M16-24 | 8-M20-30 | 8-M30-45 |
| 凸面 Convex (D1×h) | 100x4 | 130x5 | 200x5 | 230x5 | 260x5 | 260x5 |

外形尺寸 APPEARANCE-SIZE

| | | | | | | |
|----|-----|-----|-----|-----|-----|-----|
| B | 270 | 288 | 411 | 478 | 553 | 685 |
| H2 | 80 | 85 | 97 | 142 | 160 | 178 |
| H3 | 125 | 155 | 175 | 210 | 280 | 290 |
| h1 | 50 | 50 | 50 | 50 | 50 | 50 |
| b | 35 | 35 | 35 | 35 | 35 | 35 |
| Φd | 50 | 50 | 50 | 50 | 50 | 50 |
| a | 4 | 4 | 4 | 4 | 4 | 4 |